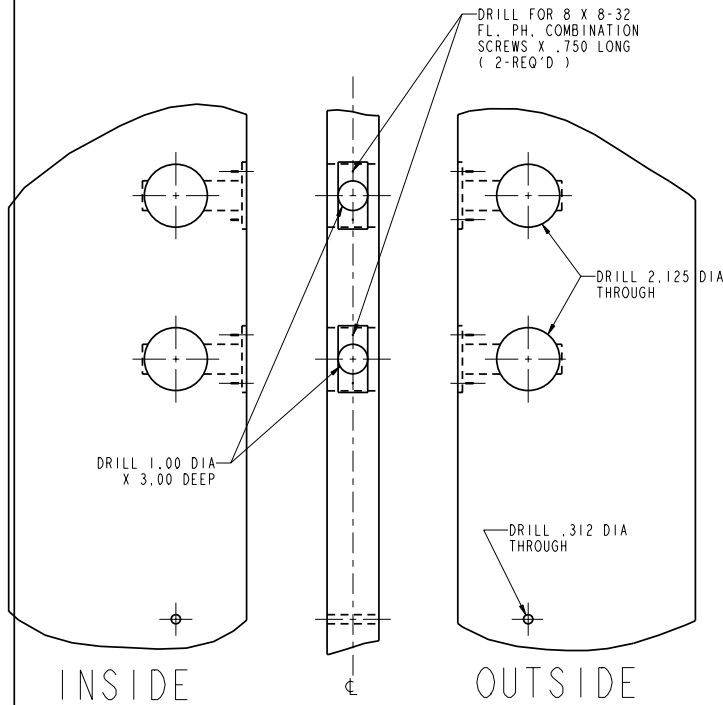
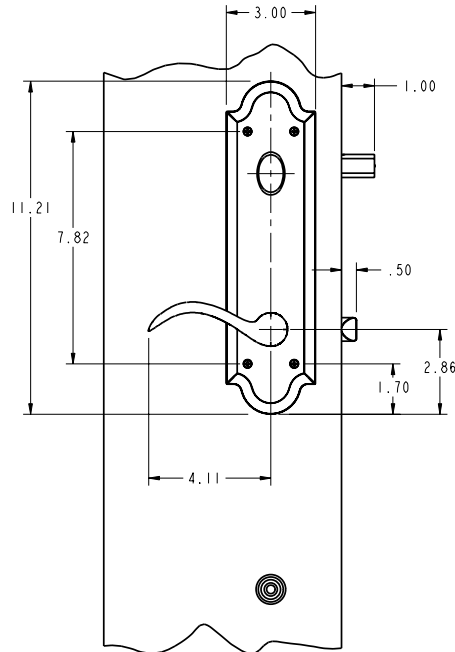


DOOR DETAIL

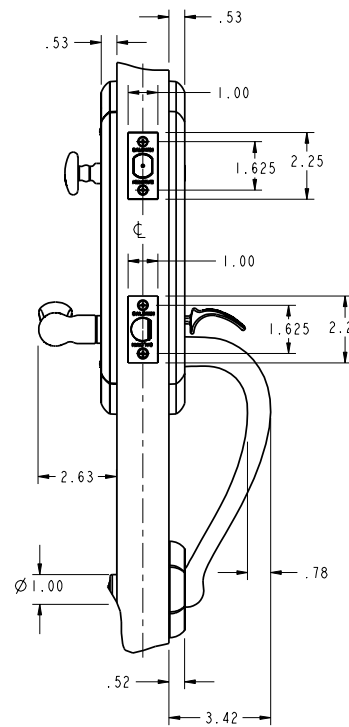


INSIDE

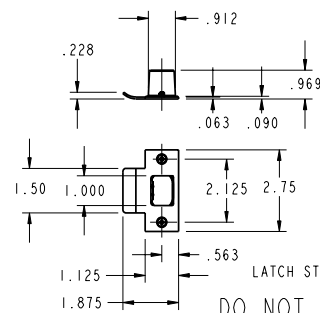
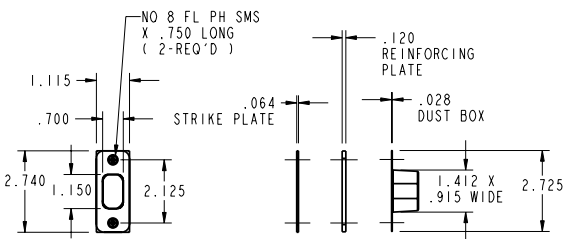
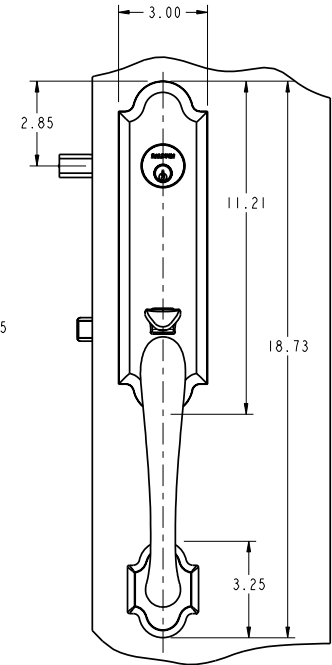


TRIM DETAIL

RIGHT HAND ILLUSTRATED



OUTSIDE



LATCH STRIKE & DUST BOX DETAIL

DO NOT SCALE DRAWING

| | | |
|--|---|--------------------------------------|
| | BALDWIN HARDWARE CORPORATION READING, PENNSYLVANIA | BLACK & DECKER COMPANY |
| | 85354 LENT/ RENT | |
| TEMPLATE: NO VARIATIONS | | TEMPLATE NO. |
| © 2006 BY BALDWIN HARDWARE CORPORATION | | IM060 |

EFFECTIVE 02/14/07

DEADBOLT STRIKE, REINFORCEMENT PLATE, & DUST BOX DETAIL