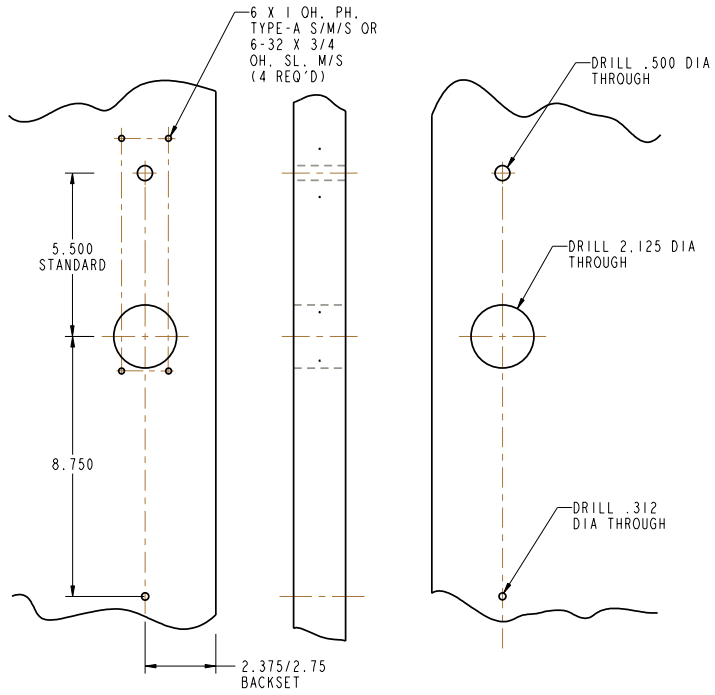


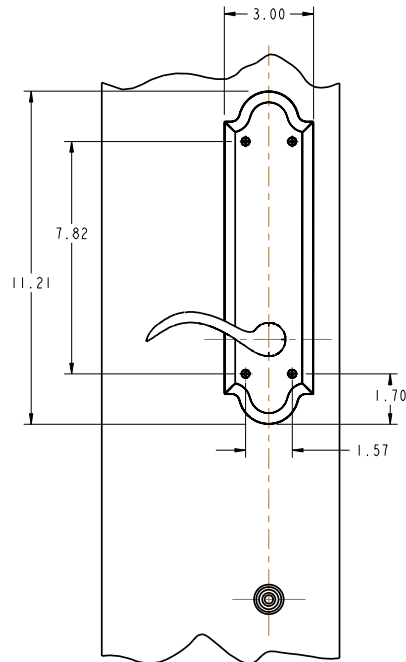
DOOR DETAIL



INSIDE

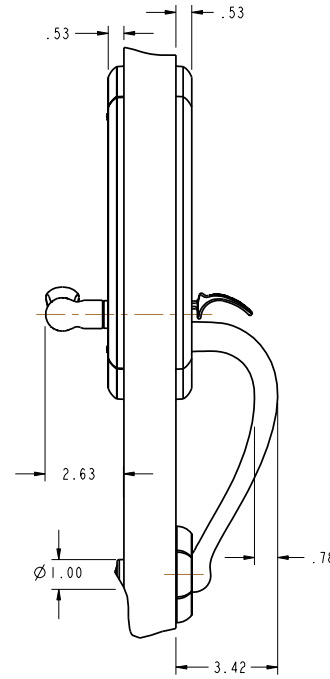
OUTSIDE

INSIDE

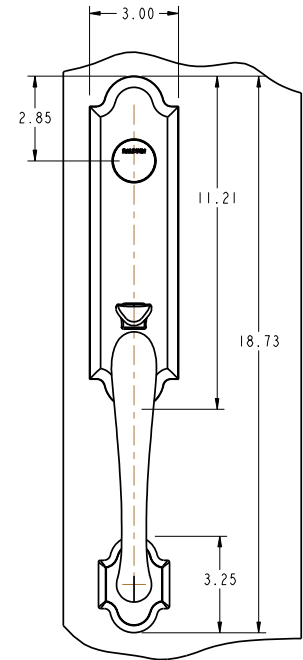


TRIM DETAIL


RIGHT HAND ILLUSTRATED



OUTSIDE



EFFECTIVE 02/14/07

 BALDWIN HARDWARE CORPORATION READING, PENNSYLVANIA	A BLACK & DECKER COMPANY
TEMPLATE: NO VARIATIONS	TEMPLATE NO.
© 2006 BY BALDWIN HARDWARE CORPORATION	IM061

DO NOT SCALE DRAWING