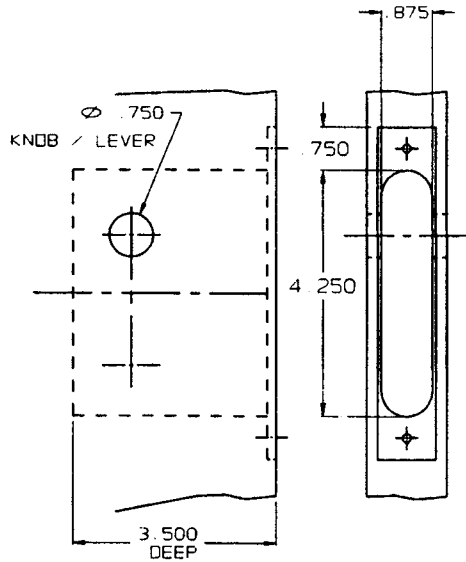
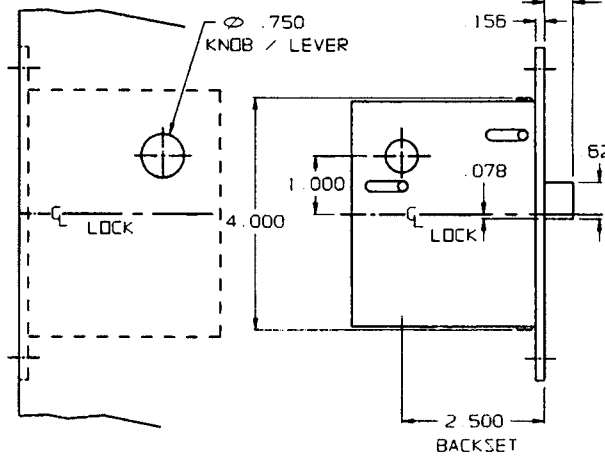


DOOR DETAIL

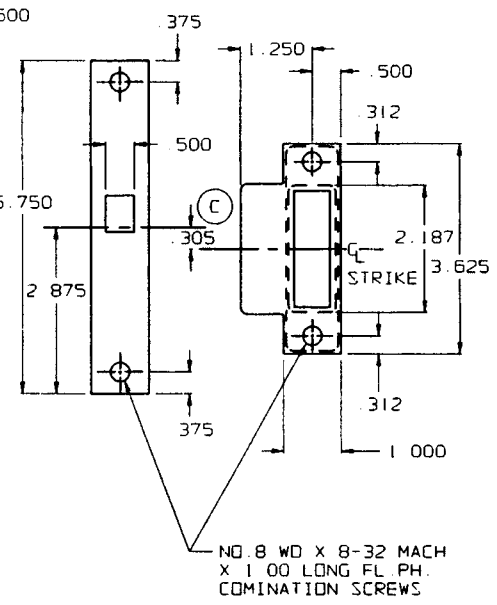
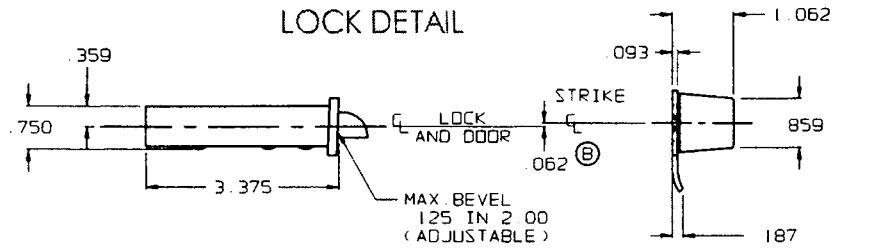


INSIDE



OUTSIDE

LOCK DETAIL



NOTE:

1. LOCK MAY BE INSTALLED AS ILLUSTRATED OR INVERTED TO BE USED IN CONJUNCTION WITH ESCUTCHEON TRIM.
2. SEE SPECIFIC TRIM TEMPLATE FOR ADDITIONAL DOOR CUTOUT DETAILS.
3. REFER TO TEMPLATE H287C FOR INVERTED INSTALLATION, WHEN USING 6500 TRIM.

EFFECTIVE: 2-3-97

ISOMETRIC DRAWING

B. BALDWIN

8530 & 8535 STANDARD INSTALLATION

TEMPLATE NO. VARIATIONS
H287 - C

TEMPLATE NO.
H285 - C

© 1989 by Baldwin Hardware Corporation