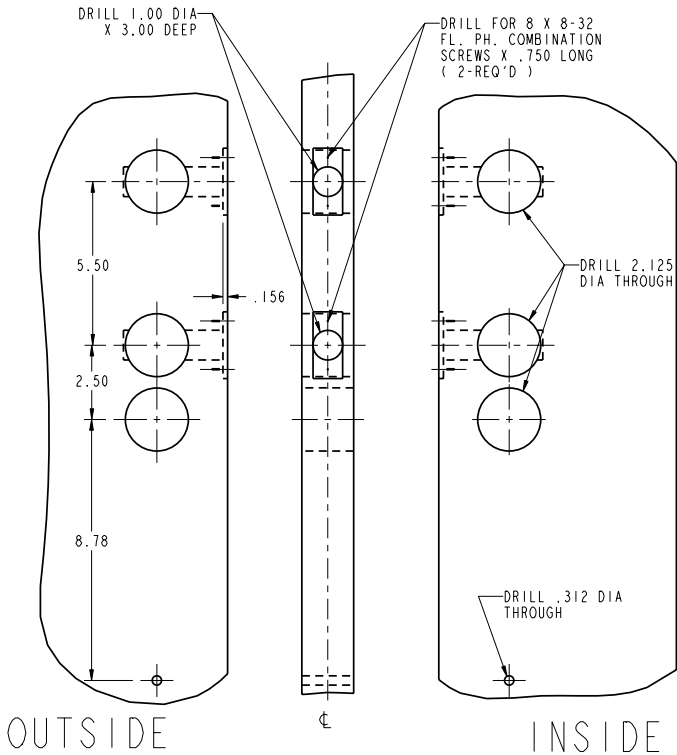
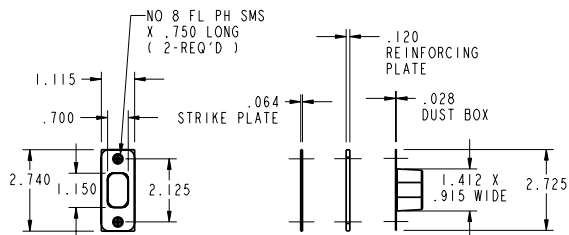
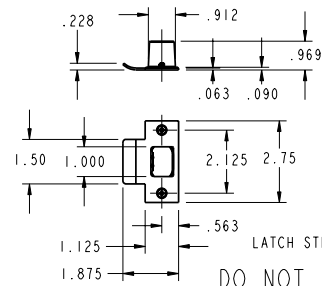
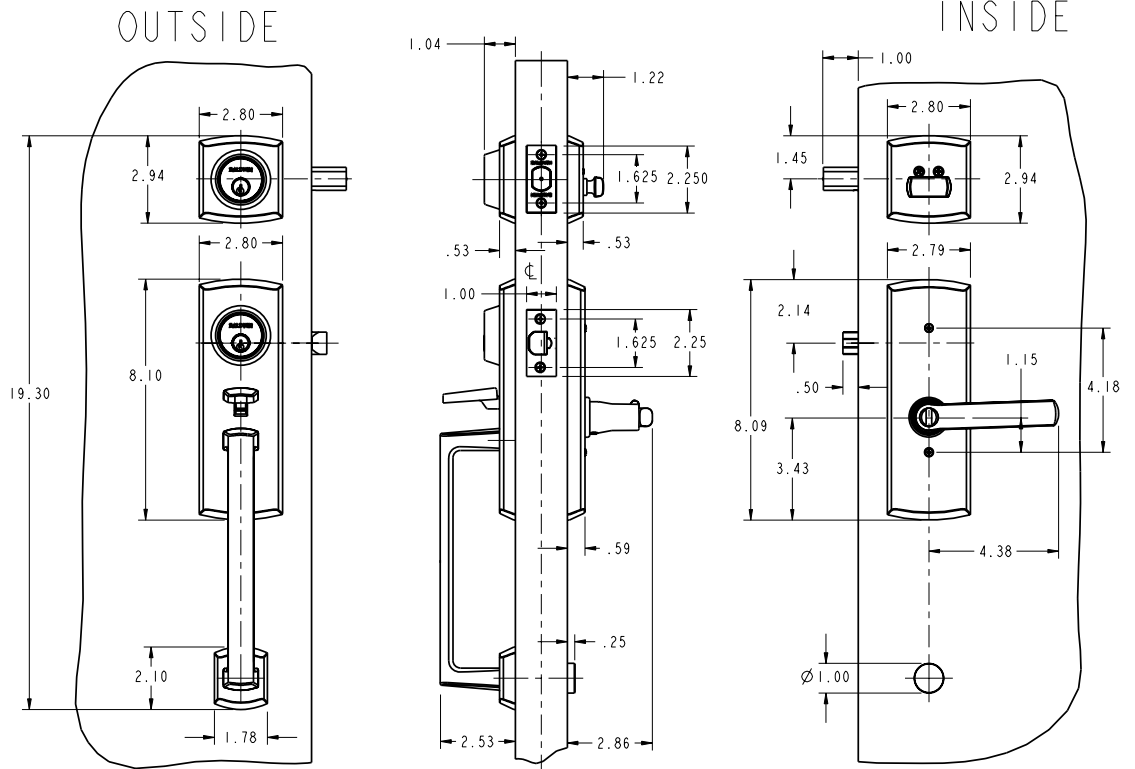


DOOR DETAIL



TRIM DETAIL

LEFT HAND ILLUSTRATED



BALDWIN A **BLACK & DECKER**
 HARDWARE CORPORATION COMPANY
 READING, PENNSYLVANIA

85385-2LH & 2RH SOHO LEVER

TEMPLATE: NO VARIATIONS TEMPLATE NO.

©2006 BY BALDWIN HARDWARE CORPORATION **IM385**

EFFECTIVE 03/19/07