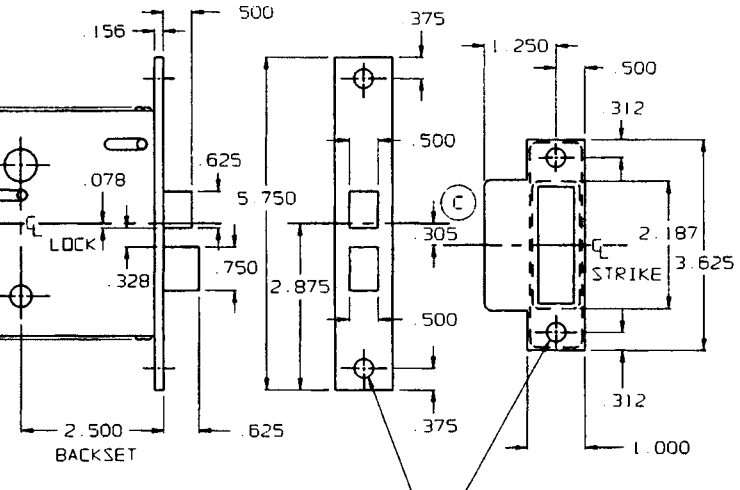
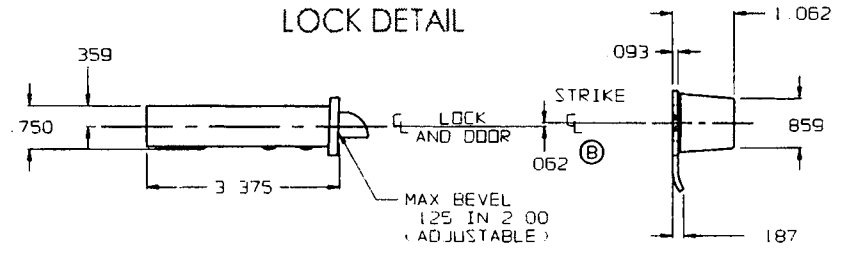
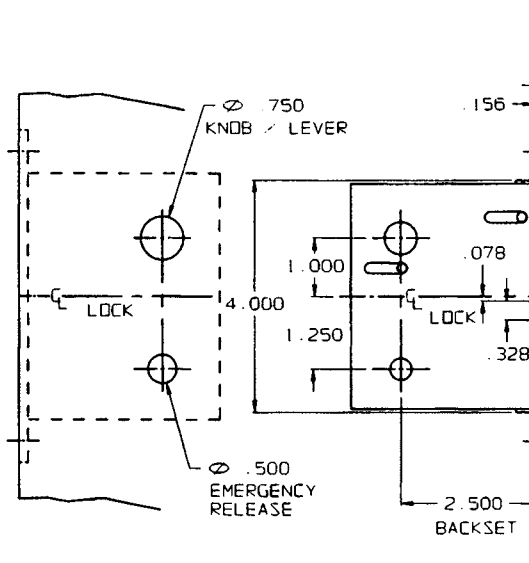
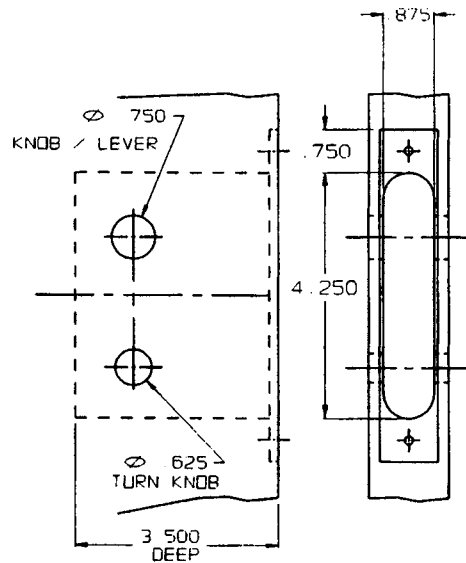


DOOR DETAIL

LOCK DETAIL



INSIDE

OUTSIDE

EFFECTIVE: 2-3-97

NOTE.

1. LOCK MAY BE INSTALLED AS ILLUSTRATED OR INVERTED TO BE USED IN CONJUNCTION WITH ESCUTCHED TRIM.
2. SEE SPECIFIC TRIM TEMPLATE FOR ADDITIONAL DOOR CUTOUT DETAILS.
3. REFER TO TEMPLATE H287C FOR INVERTED INSTALLATION, WHEN USING 6500 TRIM.

DO NOT SCALE DRAWING

B. BALDWIN

8540 & 8545 STANDARD INSTALLATION

TEMPLATE NO. VARIATIONS	TEMPLATE NO.
H288 - C	H286 - C