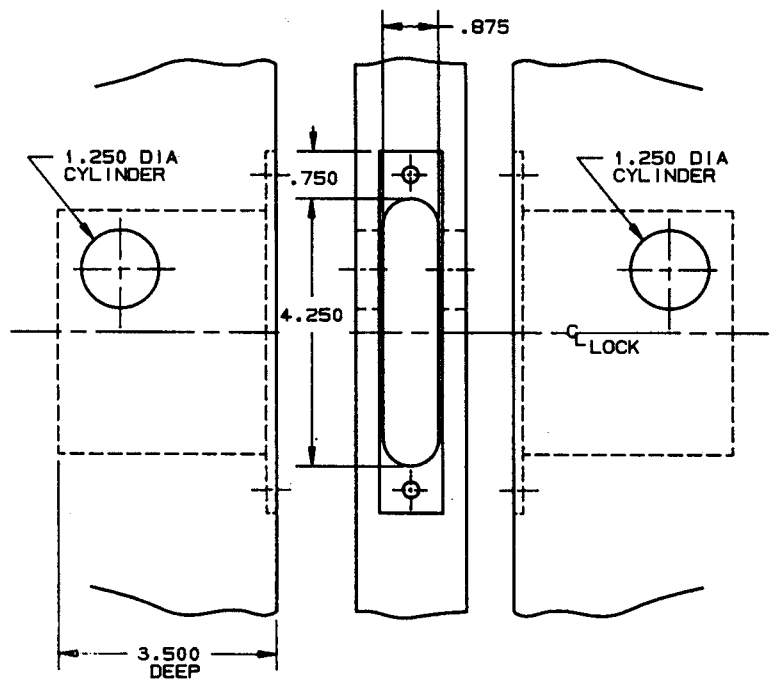
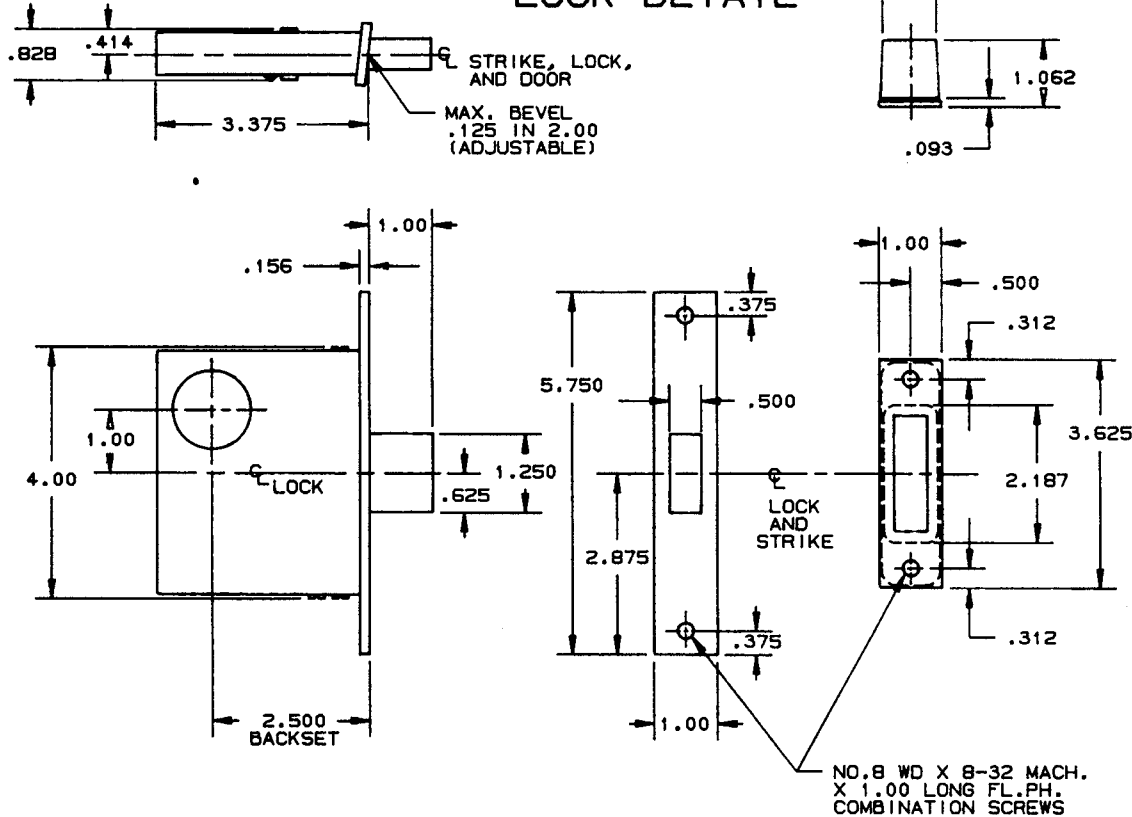


# DOOR DETAIL

# LOCK DETAIL



INSIDE

OUTSIDE

DO NOT SCALE DRAWING

NO. 8 WD X 8-32 MACH. X 1.00 LONG FL.PH. COMBINATION SCREWS

EFFECTIVE 11-1-89 R.M.G.

<b>BALDWIN</b>	
<b>8555 DEADLOCK</b>	
TEMPLATE NO. VARIATIONS J010A, J012A	TEMPLATE NO. <b>J011-A</b>