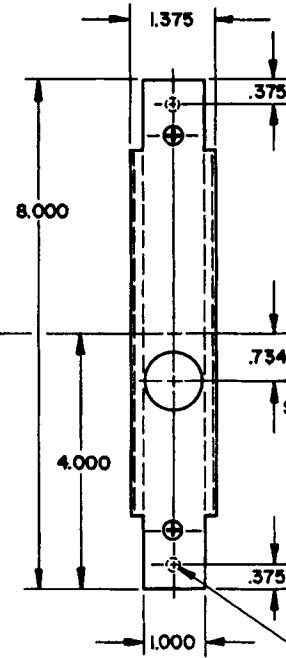
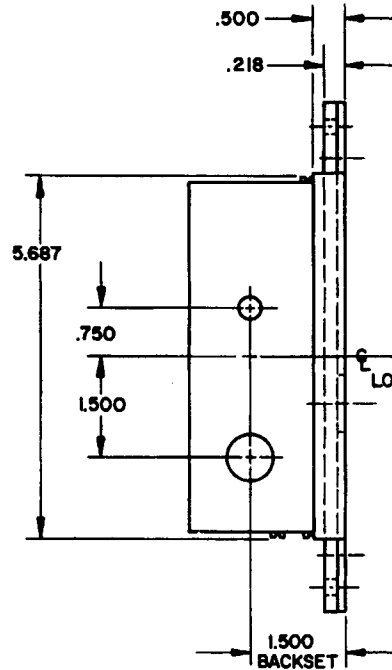
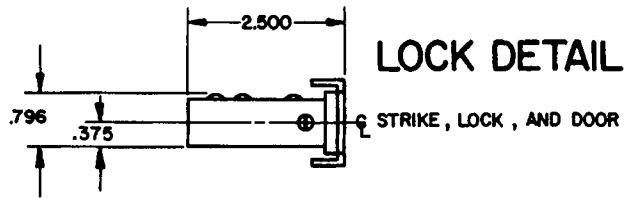
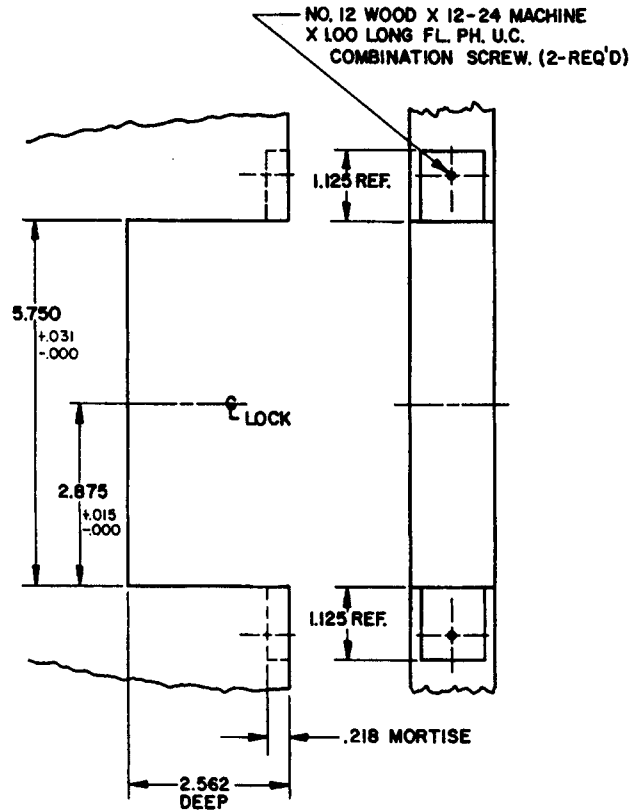
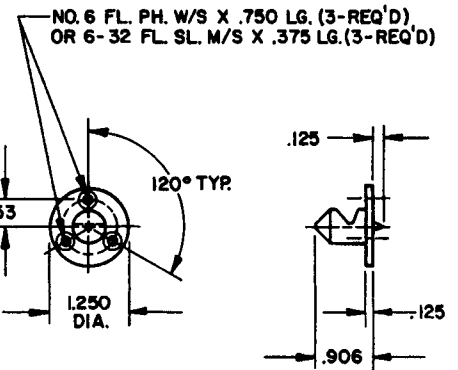


DOOR DETAIL



STRIKE DETAIL



NOTE:

- 1.) SEE SPECIFIC TRIM TEMPLATE FOR ADDITIONAL DOOR CUTOUT DETAILS.
- 2.) THIS LOCK IS TO BE USED ON 1.375 THICK DOORS ONLY.

BALDWIN	
8580 LOCK (PRIV)	
TEMPLATE NO. VARIATIONS	TEMPLATE NO.
	J048

DO NOT SCALE DRAWING

©1988 by Baldwin Hardware Corporation

EFFECTIVE: 5-1-88 E.M.