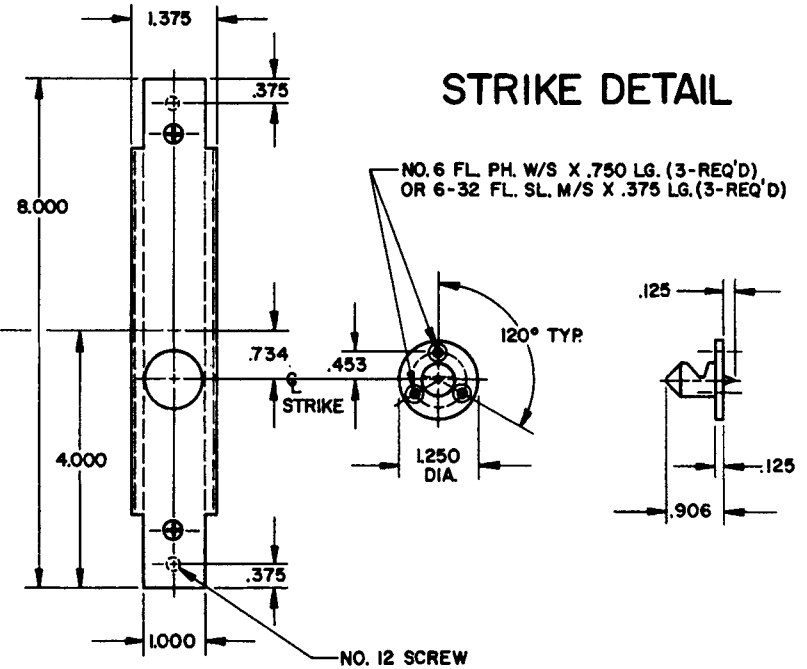
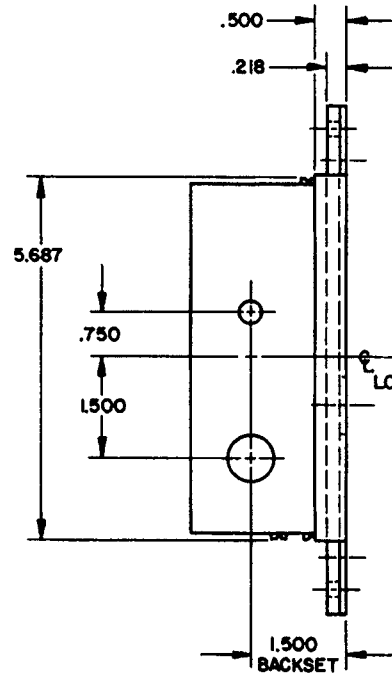
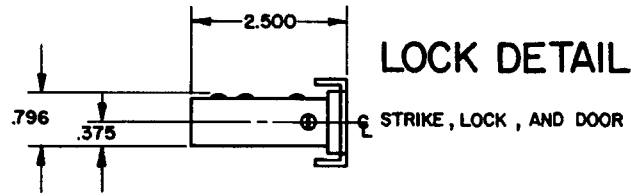
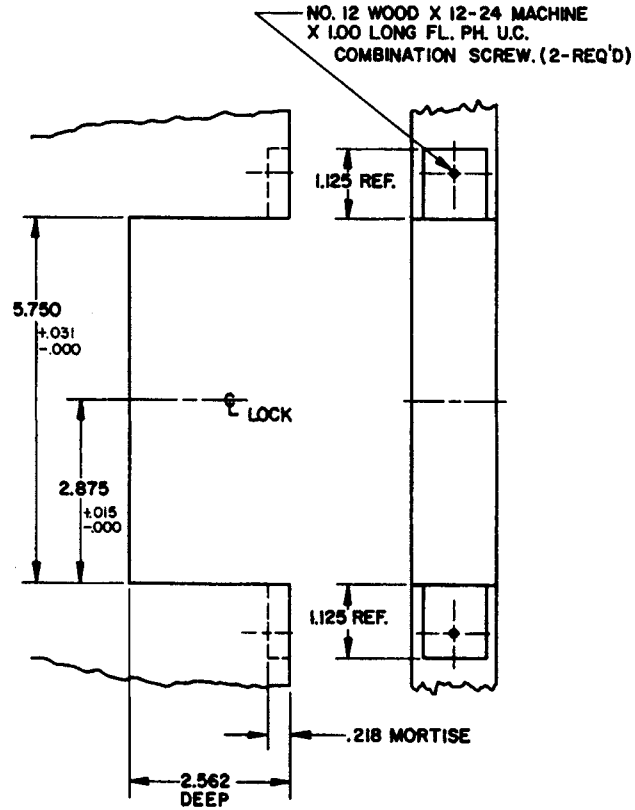


DOOR DETAIL



NOTE:

- 1.) SEE SPECIFIC TRIM TEMPLATE FOR ADDITIONAL DOOR CUTOUT DETAILS.
- 2.) THIS LOCK IS TO BE USED ON 1.375 THICK DOORS ONLY.

BALDWIN	
8581 LOCK (PATIO)	
TEMPLATE NO. VARIATIONS	TEMPLATE NO.
	J049

DO NOT SCALE DRAWING

©1988 by Baldwin Hardware Corporation

EFFECTIVE: 5-1-88 P. 11-3