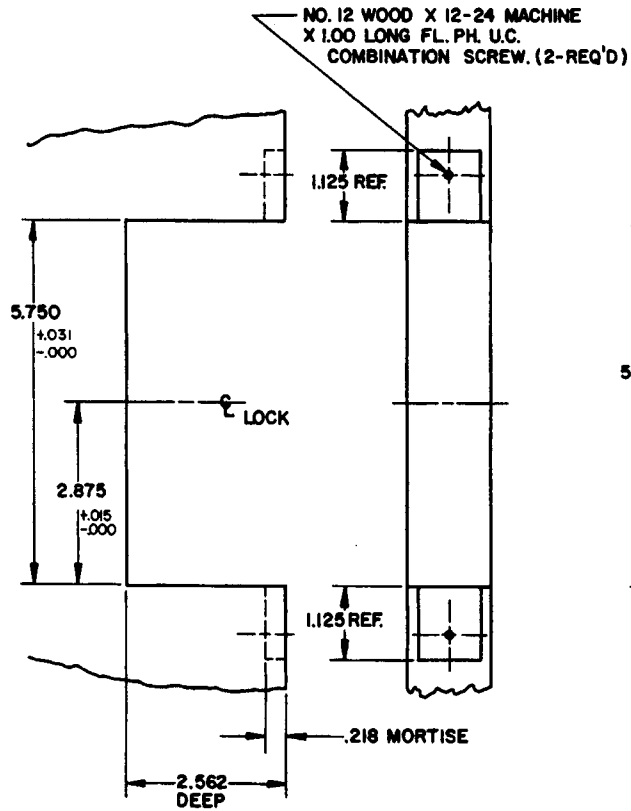
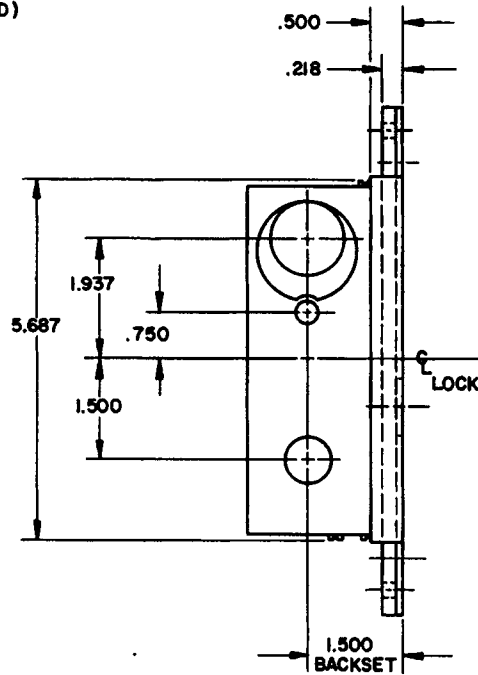
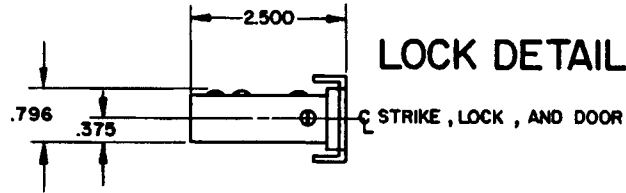


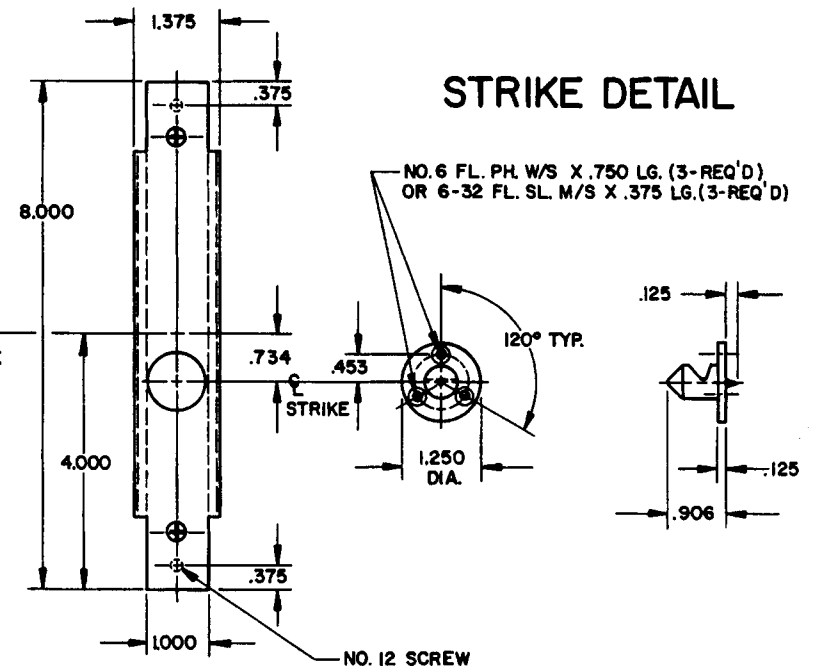
DOOR DETAIL



LOCK DETAIL



STRIKE DETAIL



NOTE:

- 1.) SEE SPECIFIC TRIM TEMPLATE FOR ADDITIONAL DOOR CUTOUT DETAILS.
- 2.) THIS LOCK IS TO BE USED ON 1.375 THICK DOORS ONLY.

B. BALDWIN	
8590 LOCK (ENTR)	
TEMPLATE NO. VARIATIONS	TEMPLATE NO.
	J052

DO NOT SCALE DRAWING

©1988 by Baldwin Hardware Corporation

EFFECTIVE: 5-1-88 (2.A) 4