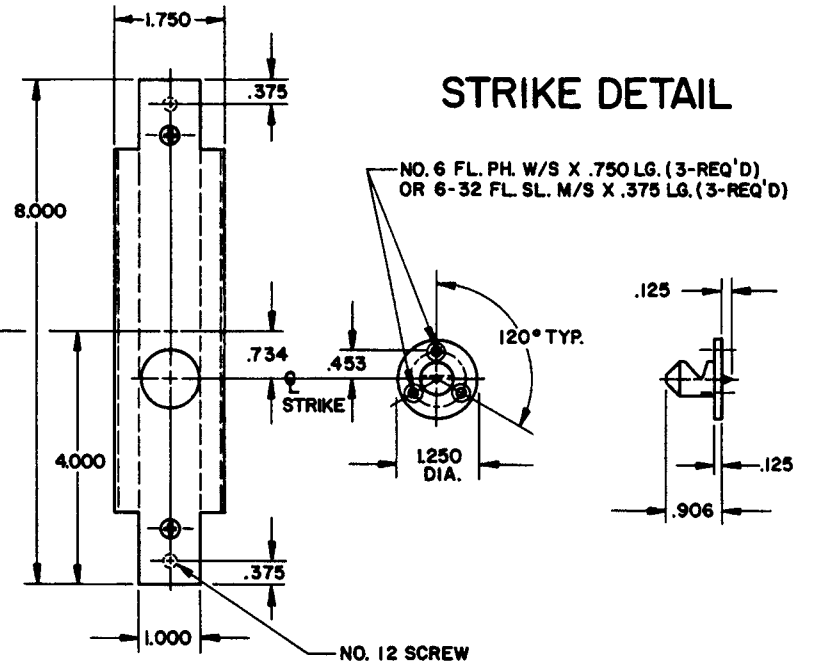
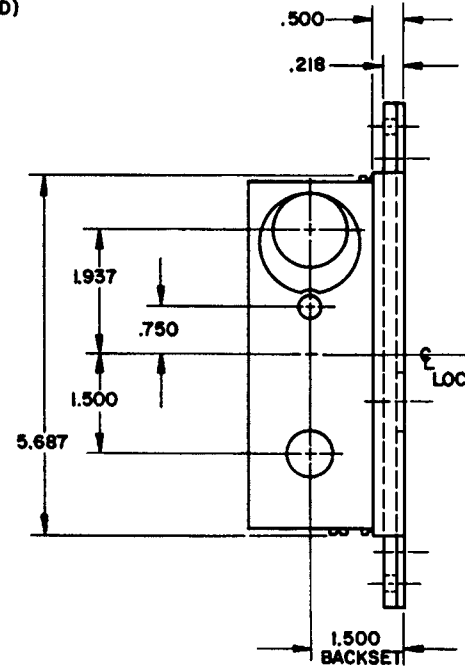
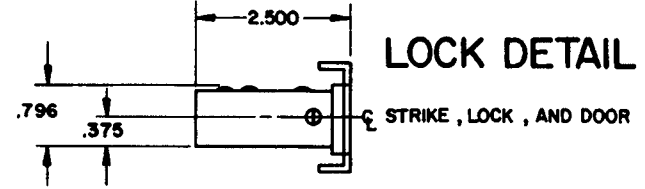
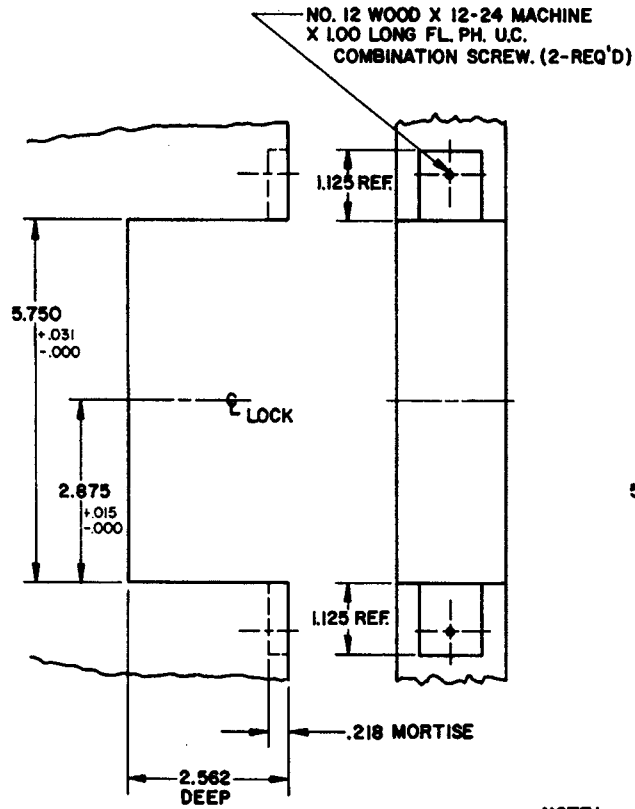


# DOOR DETAIL



NOTE:  
 1.) SEE SPECIFIC TRIM TEMPLATE FOR ADDITIONAL DOOR CUTOUT DETAILS.  
 2.) THIS LOCK IS TO BE USED ON 1.750 THICK DOORS ONLY.

<b>BALDWIN</b>	
<b>8595 LOCK (ENTR)</b>	
TEMPLATE NO. VARIATIONS	TEMPLATE NO.
	<b>J054</b>

EFFECTIVE: 5-1-88

DO NOT SCALE DRAWING

©1988 by Baldwin Hardware Corporation