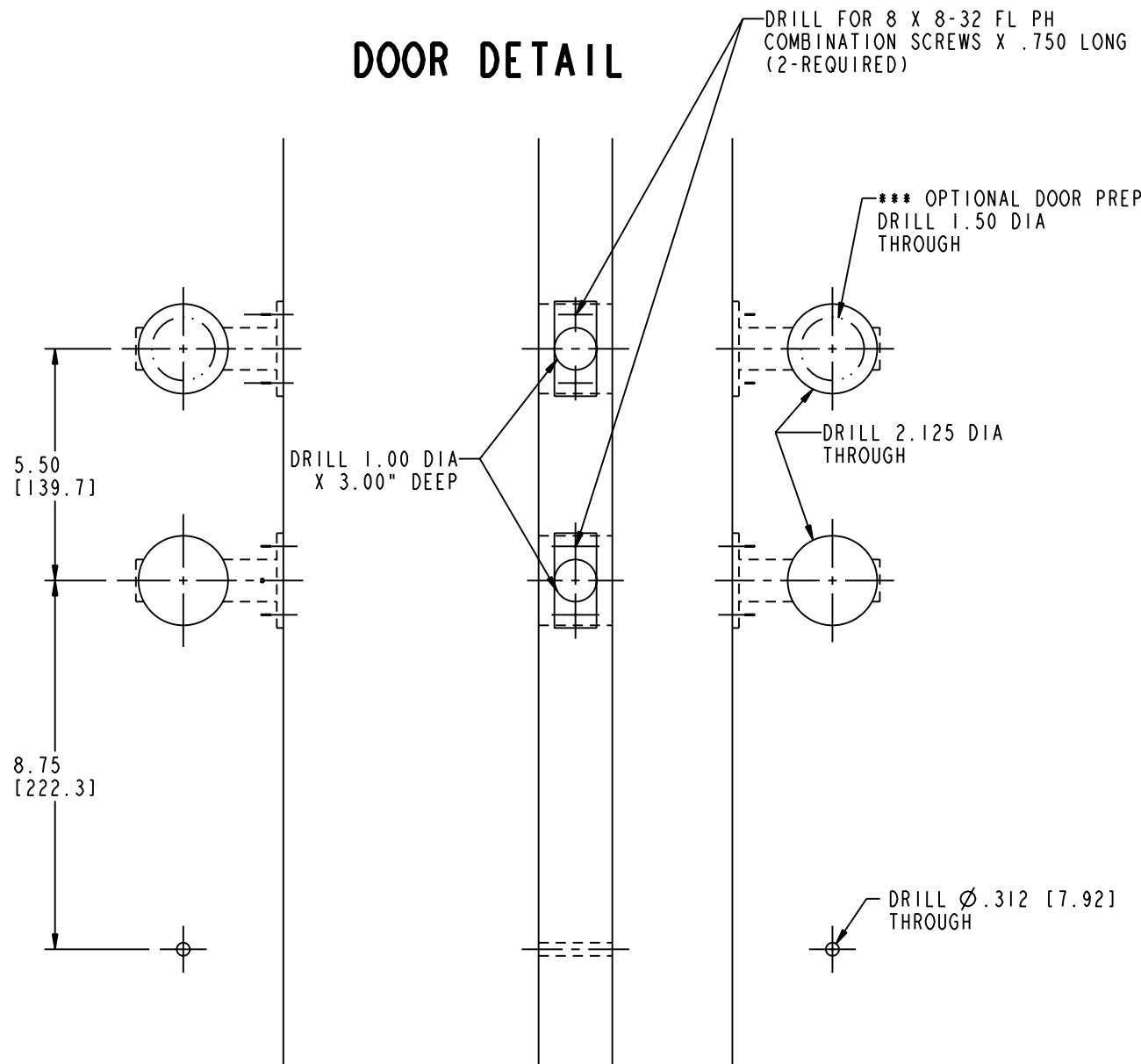


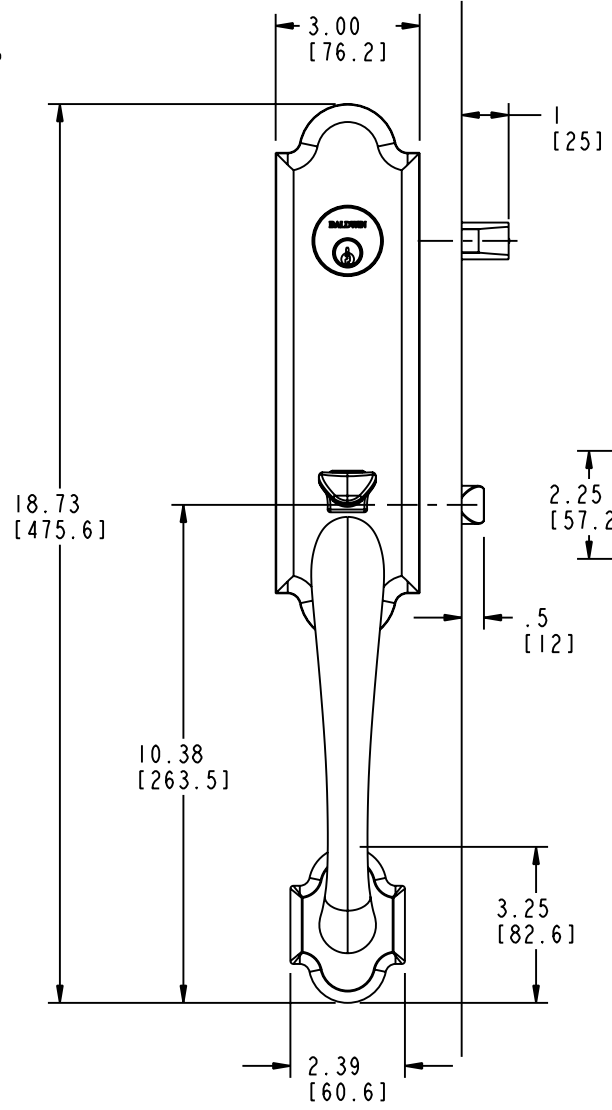
DOOR DETAIL



OUTSIDE

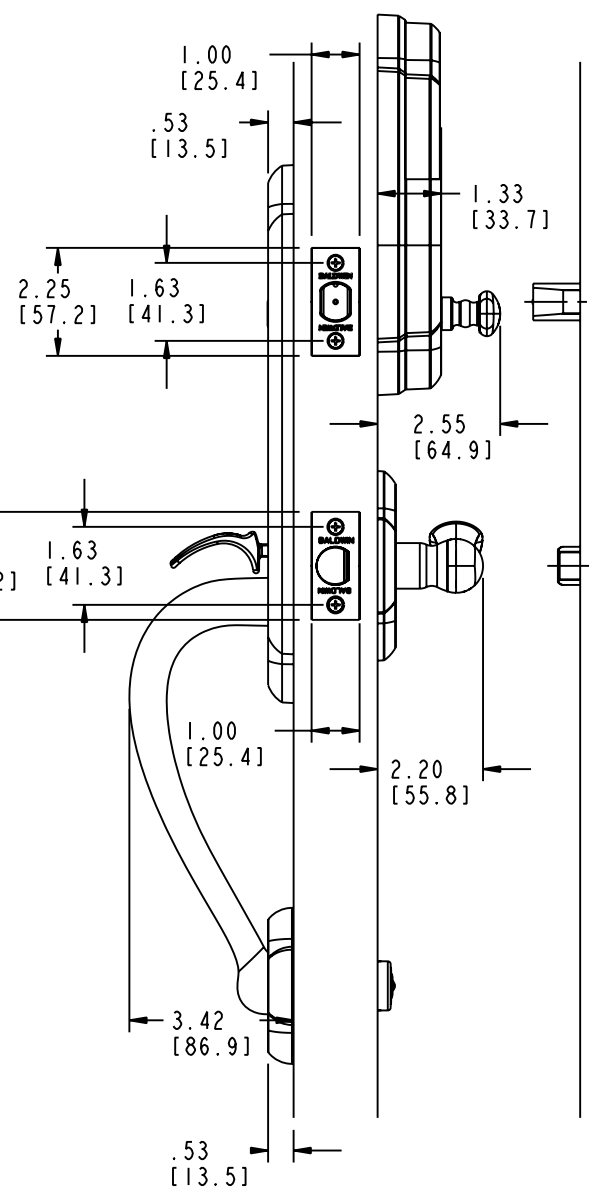
INSIDE

OUTSIDE

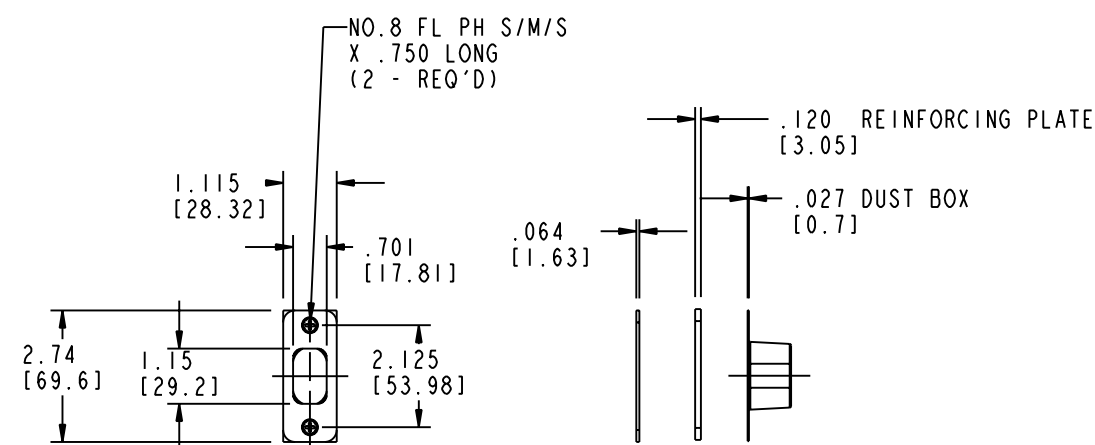
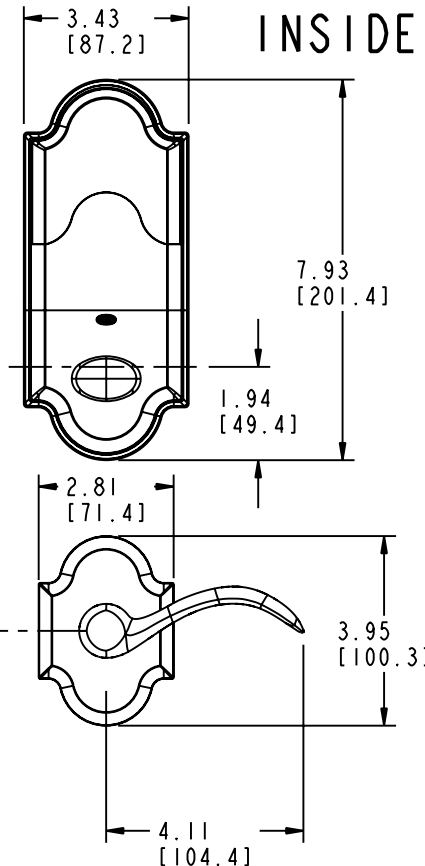


TRIM DETAIL

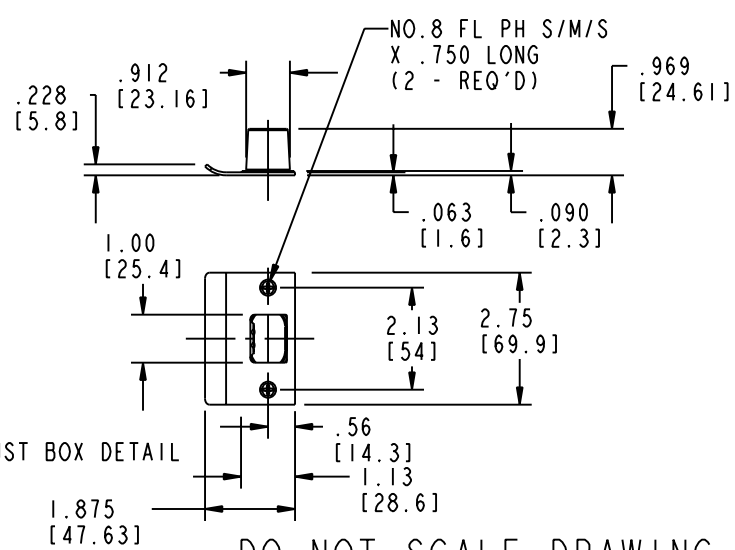
LEFT HAND ILLUSTRATED



INSIDE



DEADBOLT STRIKE, REINFORCEMENT PLATE & DUST BOX DETAIL



LATCH STRIKE & DUST BOX DETAIL

DO NOT SCALE DRAWING

BALDWIN **BLACK & DECKER**
 HARDWARE CORPORATION COMPANY
 READING, PENNSYLVANIA

85354 RAC BOULDER TRIM

TEMPLATE: NO VARIATIONS

TEMPLATE NO. **IM354 RAC**

© 2006 BY BALDWIN HARDWARE CORPORATION

EFFECTIVE: 8/14/2010