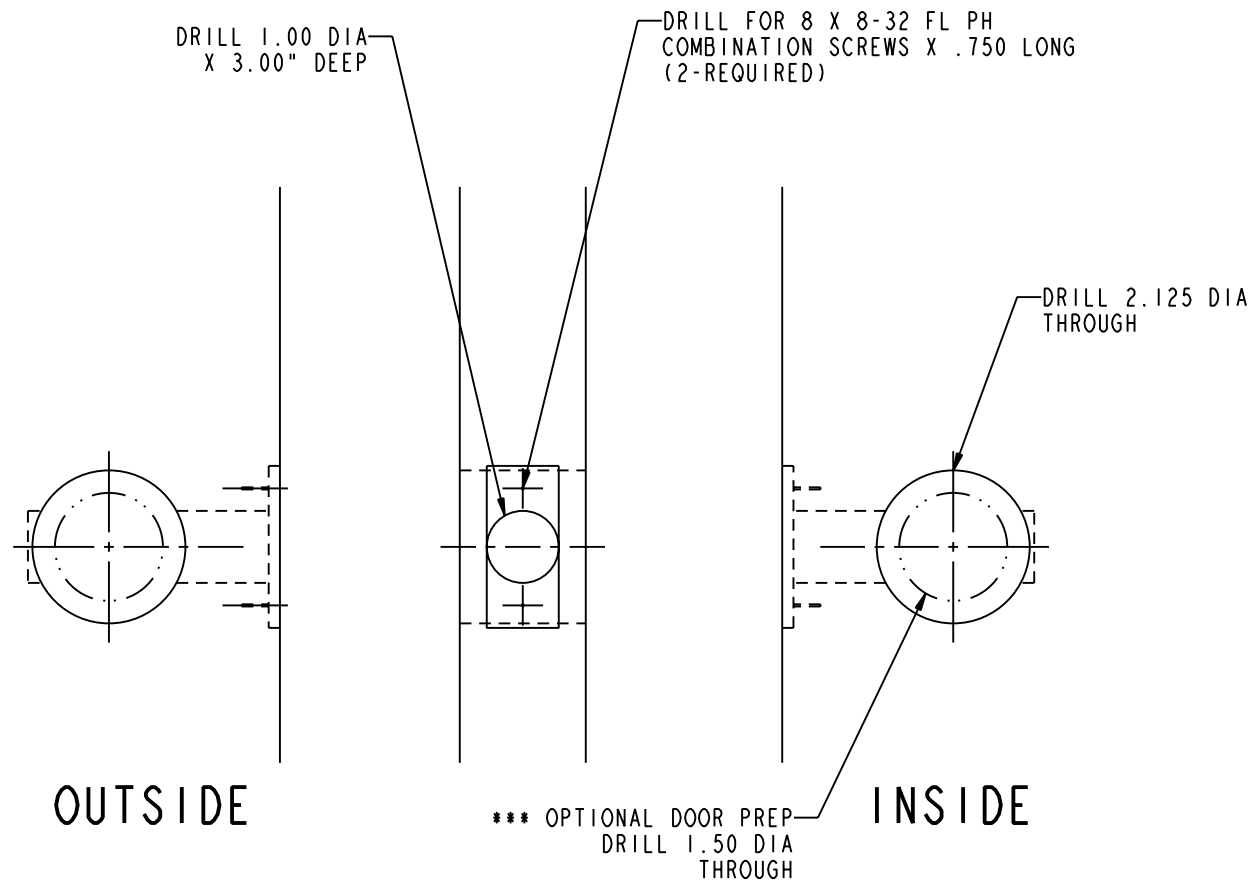
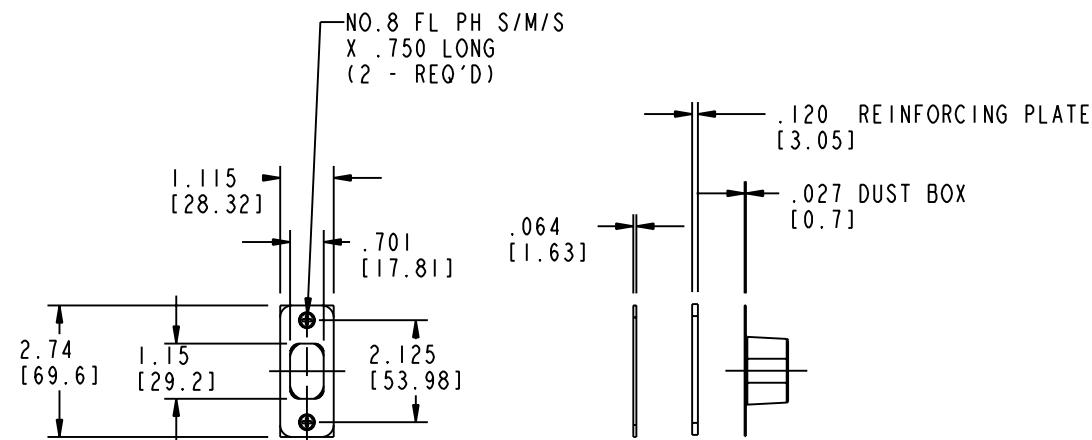
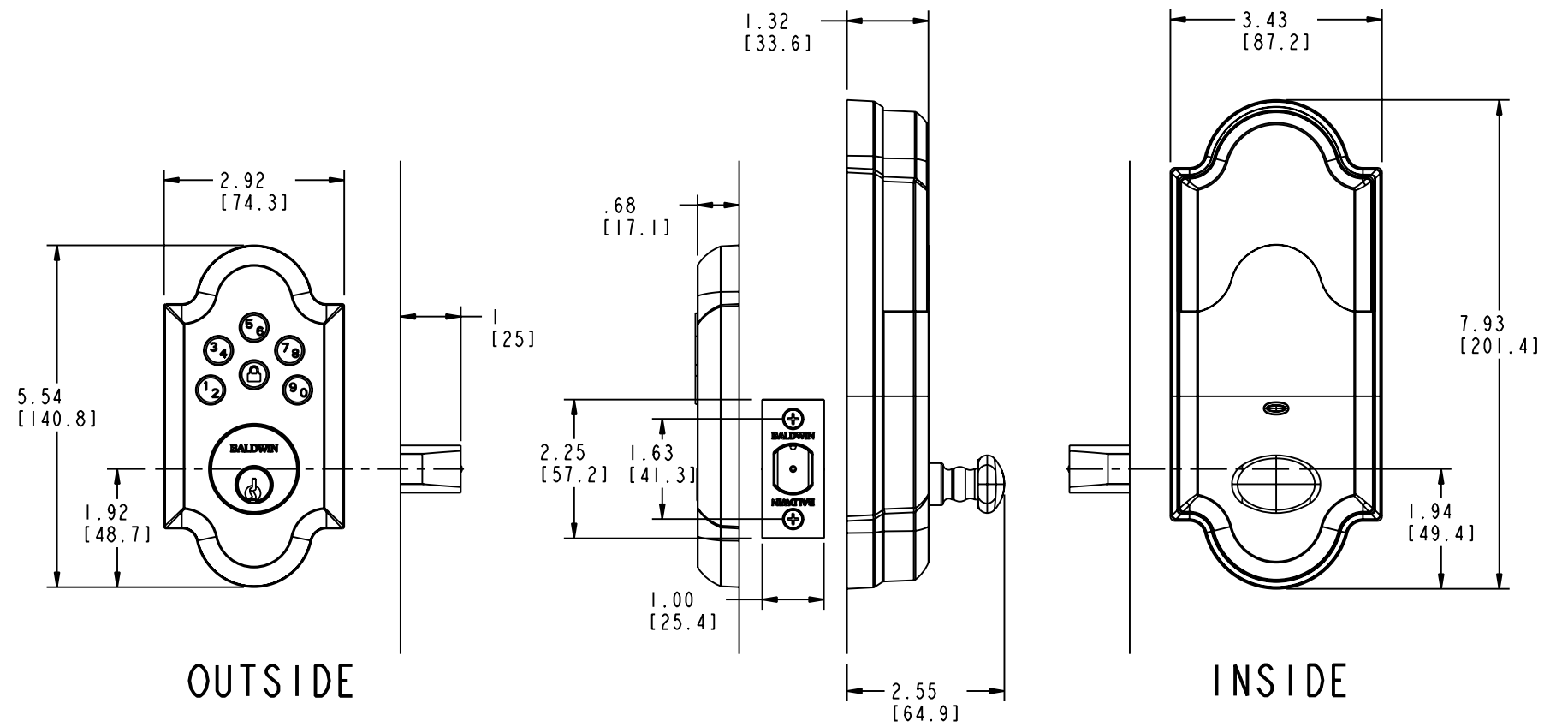


# DOOR DETAIL



# TRIM DETAIL



DEADBOLT STRIKE, REINFORCEMENT PLATE & DUST BOX DETAIL

EFFECTIVE: 8/14/2010

DO NOT SCALE DRAWING

**BALDWIN** **BLACK & DECKER**  
 HARDWARE CORPORATION A COMPANY  
 READING, PENNSYLVANIA

## 8252 RAC BOULDER TRIM

TEMPLATE: NO VARIATIONS

TEMPLATE NO.

© 2006 BY BALDWIN HARDWARE CORPORATION

IM252\_RAC