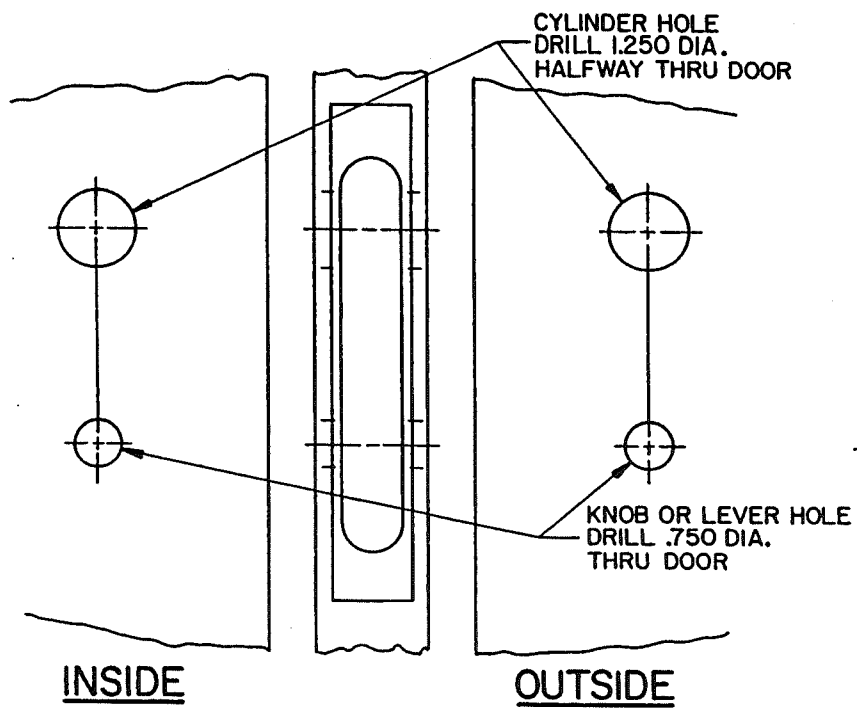
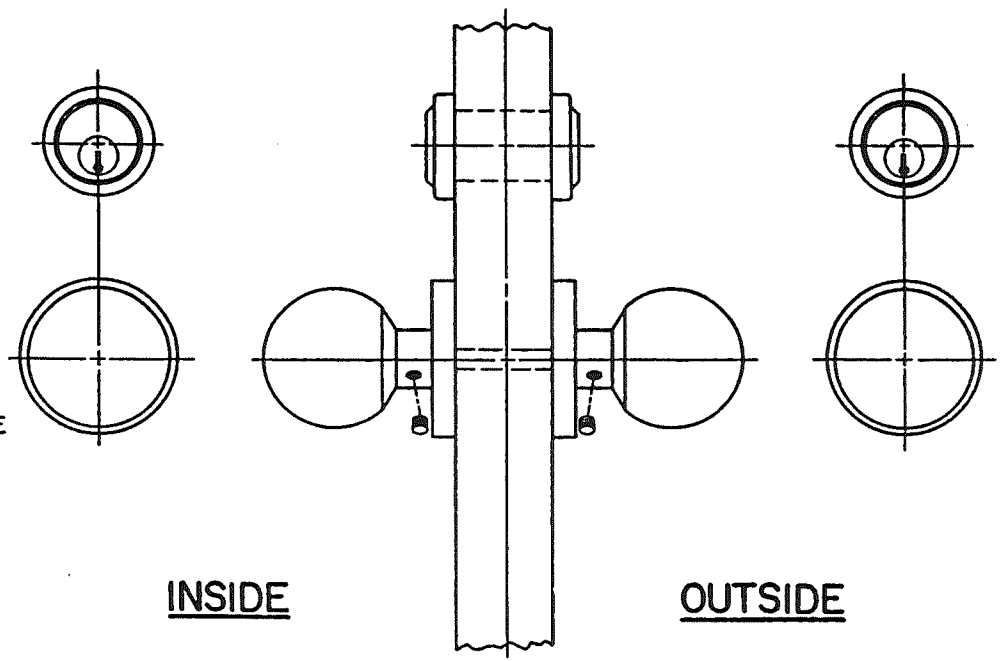


DOOR DETAIL



TYPICAL TRIM DETAIL



NOTE:
 1.) FOR ADDITIONAL LOCK AND DOOR CUTOUT DIMENSIONS,
 SEE APPROPRIATE LOCK AND TRIM TEMPLATES.
 2.) THIS TEMPLATE IS TEMPORARY ISSUE. TRIM PICTURED
 IS FOR ILLUSTRATION PURPOSES.

B. BALDWIN	
DBLC FUNCTION	
TEMPLATE NO. VARIATIONS	TEMPLATE NO.
	F-DBL A

DO NOT SCALE DRAWING

©1986 by Baldwin Hardware Corporation