


DO NOT PRINT THIS PAGE

Printing Notes:

Material: 20 Pound (US) or 80 GSM (International) bond paper, white
Ink: Black
Resolution: 150 DPI or above
Printing method: Offset Printing
Binding: Saddle Stitch
Folded size: 4 x 8.5 in (W x H)

*This drawing contains proprietary information and trade secrets of The Coleman Company, Inc.
 Unauthorized use or copying is prohibited.*

METRIC (INCH)							
CRITICAL DIMENSION							
CHECKING IS COMPULSORY							
		03	24-APR-12	Corrected CSA logos & wording; updated warranty	Christine Z	20022679	
		02	04-JUL-11	Updated Legal Phrase & address; Removed all patents and "other patents pending".	Christine Z	20018478	
VOLUME	cm ³	01	17-OCT-08	NEW	Melvin H	20002774	
MASS	grams	REV.	DATE	MODIFICATIONS	NAME	ECN NO.	
DENSITY	g/cm ³	MATERIAL: SEE NOTES				<i>The Coleman Company, Inc.</i>	
GENERAL TOLERANCES EXCEPT AS NOTED		FINISH SPEC.: SEE NOTES				Wichita, Kansas USA 67219	
0 TO	6mm	= ±0.1		COMPOSITE- NO		SHEET 1 OF 1	
>6 TO	30mm	= ±0.2		SCALE:	DATE:	DRAWN BY:	APPROVED BY:
>30 TO	80mm	= ±0.3		1:1	17-OCT-08	Melvin H	KP
>80 TO	180mm	= ±0.4					03
>180mm		= ±0.5		NAME:	PART NO.:	4010002510	
ANGULAR		= ± 3°		Instruction Manual for NorthStar® Model 2500 Series			



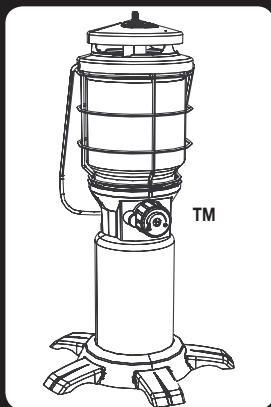
NorthStar® Model 2500 Series

INSTASTART™ Electronic Ignition
Allumage électronique
Encendido electrónico

Propane Lanterns
Lanternes à propane
Lámparas de Propano

Instructions for use
Notice d'emploi
Instrucciones de uso

© 2012 The Coleman Company, Inc.
www.coleman.com



Camp Light
Lanterne de camping
Lámpara para Campamento

IMPORTANT

Read this manual carefully before assembling, using or servicing these lanterns. Keep this manual for future reference. If you have questions about assembly, operation, servicing or repair of these lanterns, please call Coleman at 1-800-835-3278 or TDD: 1-316-832-8707. In Canada call 1-800-387-6161.

IMPORTANT

Lisez attentivement ce manuel avant d'assembler, d'utiliser ou de réparer ces lanternes et gardez-le pour référence ultérieure. Pour toute question en ce qui concerne l'assemblage, le fonctionnement, l'entretien ou la réparation, appelez Coleman au 1-800-835-3278 ou ATS 1-316-832-8707 aux États-Unis et au 1-800-387-6161 au Canada.

IMPORTANTE

Lea este manual cuidadosamente antes del ensamblaje y el uso o el servicio de las lámparas. Guarde este manual para uso de referencia en el futuro. Si usted tiene preguntas acerca del ensamblaje, funcionamiento, servicio o reparación de estas lámparas, por favor llame a Coleman al 1-800-835-3278 o TDD: 1-316-832-8707. En Canadá llame al 1-800-387-6161.

FOR YOUR SAFETY

If you smell gas:

1. Do not attempt to light appliance.
2. Extinguish any open flame.
3. Disconnect from fuel supply.

FOR YOUR SAFETY

Do not store or use gasoline or other liquids with flammable vapors in the vicinity of this or any other appliance.

! DANGER



CARBON MONOXIDE HAZARD

- This appliance can produce carbon monoxide which has no odor.
- Using it in an enclosed space can kill you.
- Never use this appliance in an enclosed space such as a camper, tent, car or home.

This manual contains important information about the assembly, operation and maintenance of these propane lanterns. General safety information is presented on this page and is also located throughout these instructions. Particular attention should be paid to information accompanied by the safety alert symbol “**! DANGER**”, “**! WARNING**”, “**! CAUTION**”.

Keep this manual for future reference and to educate new users of this product. This manual should be read in conjunction with the labeling on the product.

Safety precautions are essential when any mechanical or propane fueled equipment is involved. These precautions are necessary when using, storing, and servicing. Using this equipment with the respect and caution demanded will reduce the possibilities of personal injury or property damage.

The following symbols shown below are used extensively throughout these instructions. Always heed these precautions, as they are essential when using any mechanical or propane fueled equipment.

! DANGER

DANGER indicates an imminently hazardous situation which, if not avoided, will result in death or serious injury.

! WARNING

WARNING indicates a potentially hazardous situation which, if not avoided, could result in death or serious injury.

! CAUTION

CAUTION indicates a potentially hazardous situation which, if not avoided, may result in minor or moderate personal injury, or property damage.

! DANGER

Failure to comply with the precautions and instructions provided with these lanterns can result in death, serious bodily injury and property loss or damage from hazards of fire, explosion, burn, asphyxiation, and/or carbon monoxide poisoning.

Only persons who can understand and follow the instructions should use or service these lanterns.

If you need assistance or information such as an instruction manual or labels, contact The Coleman Company, Inc.

CALIFORNIA PROPOSITION 65:

WARNING: This fuel, and byproducts of combustion of this fuel, contain chemicals known to the state of California to cause cancer, birth defects, or other reproductive harm.

WARNING

- This product is fueled by propane gas. Propane gas is invisible, odorless, and flammable. An odorant is normally added to help detect leaks and can be described as a "rotten egg" smell. The odorant can fade over time so leaking gas is not always detectable by smell alone.
- Propane gas is heavier than air and leaking propane will sink to the lowest level possible. It can ignite by ignition sources including matches, lighters, sparks or open flames of any kind many feet away from the original leak. Use only propane gas set up for vapor withdrawal.
- Propane gas should be stored or used in compliance with local ordinances and codes or with ANSI/NFPA 58. Turn off propane when not in use.

DANGER



• **EXPLOSION - FIRE HAZARD**

- Never store propane near high heat, open flames, pilot lights, direct sunlight, other ignition sources or where temperatures exceed 120 °F (49 °C).
- Propane is heavier than air and can accumulate in low places. If you smell gas, leave the area immediately.
- Never install or remove propane tank while lantern is lighted, near flame, pilot lights, other ignition sources or while lantern is hot to touch.
- During operation, this product can be a source of ignition. Never use the lantern in spaces that contain or may contain volatile or airborne combustibles, or products such as gasoline, solvents, paint thinner, dust particles or unknown chemicals. Minimum clearances from combustible materials: 12 inches from the sides and 48 inches from the top.
- Do not obstruct the flow of combustion or ventilation air.
- Proper lantern operation produces a bright white light.

WARNING

Not for home or recreational vehicle use.

We cannot foresee every use which may be made of our products.

Check with your local fire safety authority if you have questions about use.

Other standards govern the use of fuel gases and heat producing products for specific uses. Your local authorities can advise you about these.

- Never refill disposable cylinders.
- Use the preset regulator that came with the lantern. Do not attempt to adjust.
- Use only Coleman® accessories or parts
- During lantern set-up, check all fittings for leaks using soapy water. Never use a flame.

WARNING



• **BURN HAZARD**

- Never leave lantern unattended when hot or in use.
- Keep out of reach of children.

DANGER



• **CARBON MONOXIDE HAZARD**

- This lantern is a combustion appliance. All combustion appliances produce carbon monoxide (CO) during the combustion process. This product is designed to produce extremely minute, non-hazardous amounts of CO if used and maintained in accordance with all warnings and instructions. Do not block air flow into or out of the lantern.
- Carbon Monoxide (CO) poisoning produces flu-like symptoms, watery eyes, headaches, dizziness, fatigue and possibly death. You can't see it and you can't smell it. It's an invisible killer. If these symptoms are present during operation of this product **get fresh air immediately!**
- **For outdoor use only.**
- **Never use inside house, camper, tent, vehicle or other unventilated or enclosed areas. This lantern consumes air (oxygen). Do not use in unventilated or enclosed areas to avoid endangering your life.**

CAUTION

• **SERVICE SAFETY**

- Use only propane set up for vapor withdrawal.
- Keep all connections and fittings clean. Inspect propane cylinder and lantern propane connections for damage before attaching.
- During set up, **CHECK FOR LEAKS** in one or more ways: Apply soapy water to connections. **Look** for bubbles. **Listen** for hiss of escaping gas. **Feel** for extreme cold. **Smell** for rotten egg odor. Never use a flame. **Do not use if leaking.**
- Use as a lighting appliance only. Never alter in any way or use with any device or part not expressly approved by Coleman.
- Never use as a space heater.
- Always use in upright position. Protect cylinder from excess heat.

Technical Characteristics

Input: 5,000 BTU/h

Category: Pressure regulated propane

Fuel: 16.4 oz. disposable propane cylinders

Regulator: 2600

To Set Up

⚠ DANGER

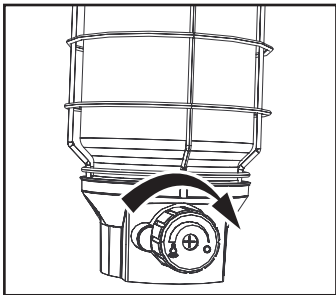


• CARBON MONOXIDE HAZARD

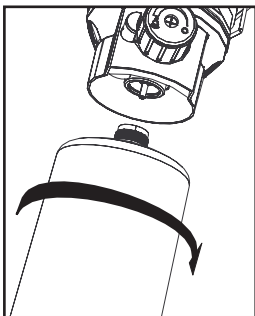
- For outdoor use only.
- Never use inside house, camper, tent, vehicle or other unventilated or enclosed areas. This lantern consumes air (oxygen). Do not use in unventilated or enclosed areas to avoid endangering your life.

■ **Note:** Use Coleman® 16.4 oz. disposable propane cylinders. The LP-gas cylinder(s) used with lanterns must be constructed and marked in accordance with the specifications for LP-gas cylinders of the U.S. Department of Transportation or *Transport Canada*, CAN/CSA B339.

- Take lantern outdoors away from ignition sources.
- Turn fuel valve off.



Remove protective cap from top of propane cylinder. Save cap for use in storing. Screw propane cylinder into lantern. Take care not to cross-thread. Hand tighten only.

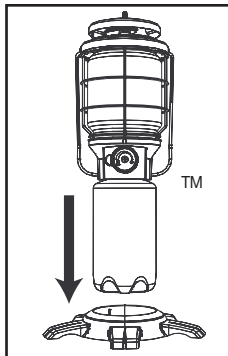


⚠ CAUTION

• SERVICE SAFETY

- Keep all connections and fittings clean. Inspect propane cylinder and lantern propane connections for damage before attaching.
- During set up, check all connections and fittings for leaks using soapy water. Bubbles indicate a leak. Never use a flame.

- Unfold cylinder base as shown.
- Place cylinder securely in lantern base.

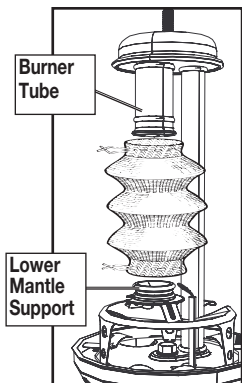


To Tie On Mantles

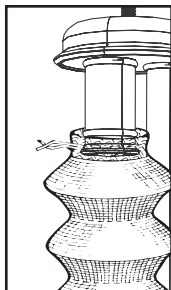
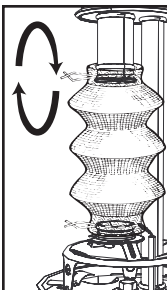
⚠ WARNING

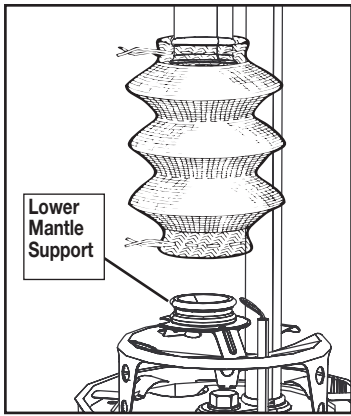
- Replace any mantle with a hole in it. A hole can cause lantern to overheat and create a hazard. Never operate lantern without heat shield.

Always use genuine Coleman® #95 size mantles. If using Insta-Clip® II tabbed mantles, follow the instructions on the mantle package. If using original wire clip mantles, attach MANTLE to BURNER TUBE AND LOWER MANTLE SUPPORT. Be sure clips engage grooves.



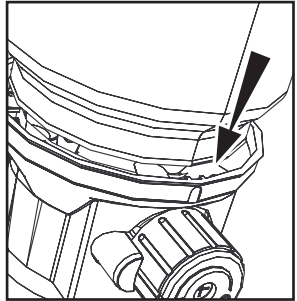
- Twist clips.



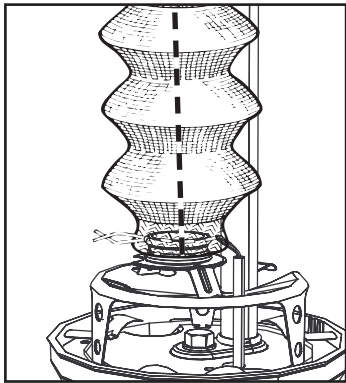


- Replace VENTILATOR and GUARD/GLOBE ASSEMBLY. Position guard wire into notch in frame.

NOTE: When re-installing globe onto lantern be sure not to contact mantle clip. Mantle may be dislodged from groove.



- Twist clips.



To Light

⚠ WARNING

If you smell gas:

1. Do not attempt to light appliance.
2. Extinguish any open flame.
3. Disconnect from fuel supply.
4. Call 1-800-835-3278.

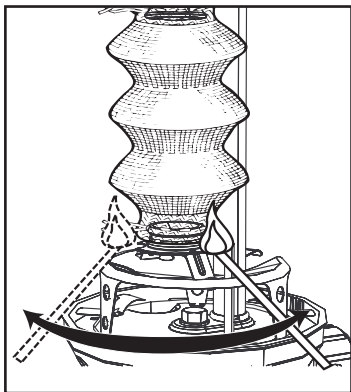
Light mantle evenly and leave to burn. Once mantle has been burned it is very fragile. Be careful not to touch it with your finger or match.

⚠ DANGER



• EXPLOSION - FIRE HAZARD

- Propane is heavier than air and can accumulate in low places. If you smell gas, leave the area immediately.
- Always attach or detach propane source outdoors; never while lantern is lighted, near flame, pilot lights, other ignition sources or while lantern is hot to touch.
- Always light and use lantern outdoors.
- This lantern must not be exposed to flammable vapors or liquids during lighting.
- This lantern is very hot during use and can ignite flammables too close to the mantles. Keep flammables at least 12 inches from the sides and 48 inches from the top of the lantern. Keep gasoline and other flammable liquids and vapors well away from lantern.



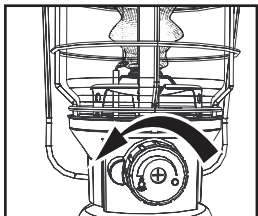
Always light and use lantern outdoors; never inside house, camper, tent or other unventilated or enclosed areas.

INSTASTART™

Electronic Ignition

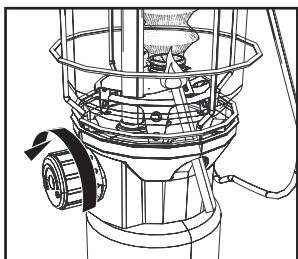
- Turn fuel valve on. Push the red igniter button and a spark should jump between the electrode and lower mantle support and ignite the mantle.

NOTE: If lantern does not light after pushing the igniter button a few times, repeat above step after turning fuel valve completely off. If the lantern is wet due to rain, high humidity, etc., the valve may not spark. Use match lighting procedure as follows.



Match Lighting

- Push lighted match through lighting hole, hold near mantle and open fuel valve fully.



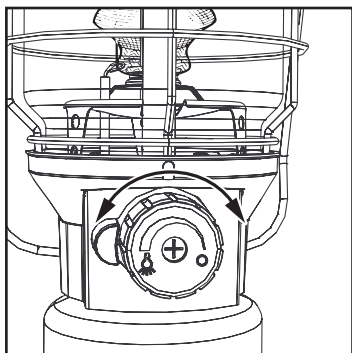
⚠ WARNING



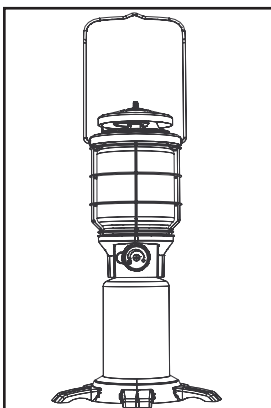
• BURN HAZARD

- Never leave lantern unattended when hot or in use.
- Keep out of reach of children.

- Brightness may be adjusted with fuel valve.

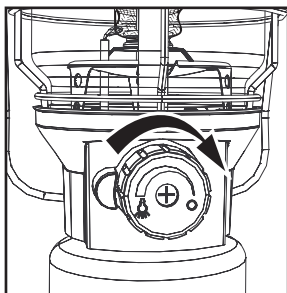


- The lantern may be carried by the handle.



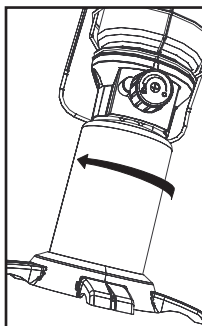
To Turn Off

- Turn fuel valve off.

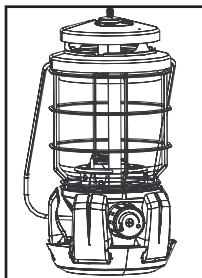


To Store

- Make sure lantern is cool.
- Move lantern away from flame (including pilot lights) and other ignition sources.
- Remove propane cylinder from lantern.
- Replace protective cap on propane cylinder.



- Invert base and place on collar for storage.



DANGER



• **EXPLOSION - FIRE HAZARD**

- Never store propane near high heat, open flames, pilot lights, direct sunlight, other ignition sources or where temperatures exceed 120 °F (49 °C).
- The cylinder must be disconnected when the lantern is in storage.

Things You Should Know

1. It is unsafe and illegal in some places to store or use liquid propane cylinders of greater than 1.14 kg (2.5 lbs.) water capacity (approximately 465g [1 lb.] propane) in occupied enclosures.
2. Always have a spare set of Coleman® Mantles. Once burned, a mantle is fragile and can be damaged if touched or dropped.
3. Wipe lantern clean with soft cloth and mild dish detergent. Do not use abrasives.
4. The usual storage areas for camping and picnic equipment are the basement, attic, or garage. To avoid the accumulation of dust, cobwebs, etc., that is common in these storage areas, place your lantern in a plastic bag and seal it with a rubber band.
5. During operation, carry the lantern using the bail.
6. If your lantern burns with a yellow smokey flame, check the burner and air tube for spider webs.
7. If not completely satisfied with the performance of this product, please call one of the numbers listed on the cover of this manual.

www.coleman.com

Warranty

Limited Five Year Warranty

The Coleman Company, Inc. ("Coleman") warrants that for a period of five (5) years from the date of original retail purchase, this product will be free from defects in material and workmanship. Coleman, at its option, will repair or replace this product or any component of the product found to be defective during the warranty period. Replacement will be made with a new or remanufactured product or component. If the product is no longer available, replacement may be made with a similar product of equal or greater value. This is your exclusive warranty.

This warranty is valid for the original retail purchaser from the date of initial retail purchase and is not transferable. Keep the original sales receipt. Proof of purchase is required to obtain warranty performance. Coleman dealers, service centers, or retail stores selling Coleman® products do not have the right to alter, modify or in any way change the terms and conditions of this warranty.

What This Warranty Does Not Cover

This warranty does not cover normal wear of parts, parts that are not genuine Coleman® parts, or damage resulting from any of the following: negligent use or misuse of the product; commercial use of the product; use contrary to the operating instructions; disassembly, repair or alteration by anyone other than Coleman or an authorized service center. Further, the warranty does not cover Acts of God, such as fire, flood, hurricanes and tornadoes. Warranty void if damage to the product results from the use of a part other than a genuine Coleman® part.

COLEMAN SHALL NOT BE LIABLE FOR DEFECTS THAT ARE CAUSED BY THE USE OF UNAUTHORIZED PARTS OR SERVICE. COLEMAN SHALL NOT BE LIABLE FOR ANY INCIDENTAL OR CONSEQUENTIAL DAMAGES CAUSED BY THE BREACH OF ANY EXPRESS OR IMPLIED WARRANTY OR CONDITIONS. EXCEPT TO THE EXTENT PROHIBITED BY APPLICABLE LAW, ANY IMPLIED WARRANTY OF MERCHANTABILITY OR FITNESS FOR A PARTICULAR PURPOSE IS LIMITED IN DURATION TO THE DURATION OF THE ABOVE WARRANTY OR CONDITIONS. SOME STATES, PROVINCES, OR JURISDICTIONS DO NOT ALLOW THE EXCLUSION OR LIMITATION OF INCIDENTAL OR CONSEQUENTIAL DAMAGES OR LIMITATIONS ON HOW LONG AN IMPLIED WARRANTY LASTS, SO THE ABOVE LIMITATIONS OR EXCLUSION MAY NOT APPLY TO YOU. THIS WARRANTY GIVES YOU SPECIFIC LEGAL RIGHTS, AND YOU MAY ALSO HAVE OTHER RIGHTS THAT VARY FROM STATE TO STATE OR PROVINCE TO PROVINCE.

How to Obtain Warranty Service

Your product must be under warranty in order to obtain warranty service. If your product is defective and is within your warranty period, contact us at 1-800-835-3278 (TDD 1-316-832-8707) in order to receive a return authorization. Do not return product to Coleman without authorization. You will be directed to attach a tag to the product that includes your name, address, daytime telephone number and description of the problem. Include a copy of the original sales receipt. **Carefully package the product and send insured by UPS, FedEx Ground or Parcel Post with shipping and insurance prepaid to:**

For products purchased in the United States:
The Coleman Company, Inc.
3600 North Hydraulic
Wichita, KS 67219 U.S.A.

For products purchased in Canada:
Sunbeam Corporation (Canada) Limited
DBA Jarden Consumer Solutions
20B Hereford Street
Brampton, ON L6Y 0M1

The cost of transporting the product to Coleman for warranty service is the responsibility of the purchaser.

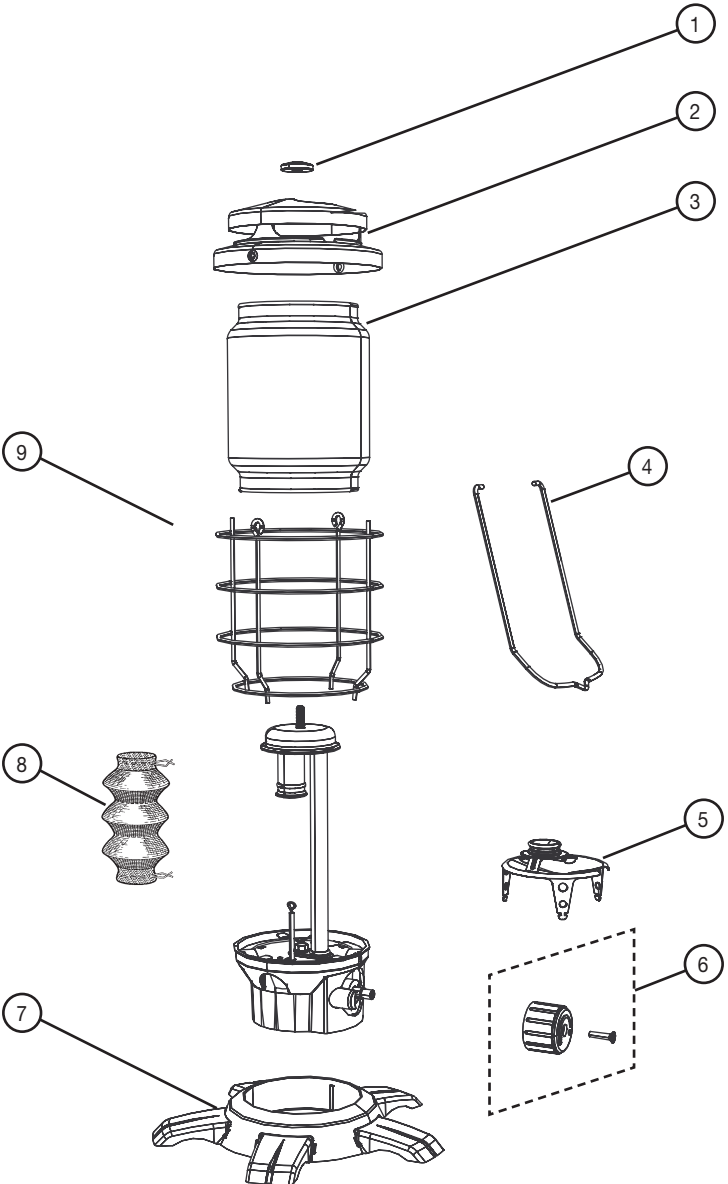
Do not mail products with fuel in tanks, or with disposable propane cylinders. Remove glass globes from lanterns and wrap separately.

DO NOT RETURN THIS PRODUCT TO THE PLACE OF PURCHASE.

If you have any questions regarding this warranty please call 1-800-835-3278 or TDD 1-316-832-8707 in the United States or 1-800-387-6161 in Canada.

Parts List

Item	Part No.	Description
1	2500A4411	Ventilator Nut
2	5010000629	Ventilator Black
3	R2000B043C	Globe (Clear)
4	2500A1381	Bail Handle
5	5010000576	Heat Shield
6	5010000107	Knob w/screw
7	2550-5421	Base
8	#95 Size	Tube Style Mantle
9	2500A3151	Globe Guard



Notes:

POUR VOTRE SÉCURITÉ

Si vous sentez le gaz:

1. Ne tentez pas d'allumer l'appareil.
2. Éteignez toutes les flammes nues.
3. Débranchez de l'alimentation en gaz.

POUR VOTRE SÉCURITÉ

Ne rangez pas et n'employez pas d'essence ou d'autres vapeurs ou liquides inflammables à proximité de cet appareil ou de tout autre appareil.

! DANGER



RISQUE D'INTOXICATION OXYCARBONÉE

- Cet appareil peut produire du monoxyde de carbone, un gaz inodore.
- L'emploi en lieu clos peut vous tuer.
- Ne vous servez jamais de cet appareil dans un lieu renfermé: caravane, tente, véhicule ou maison.

Ce manuel contient des renseignements importants quant à l'assemblage, au fonctionnement et à l'entretien de ces lanternes à propane. De nombreux renseignements de sécurité sont fournis sur cette page puis un peu partout dans le reste des instructions. Faites tout particulièrement attention lorsque vous voyez les symboles suivants:

! DANGER, ! AVERTISSEMENT et ! ATTENTION.

Gardez ce manuel pour le consulter au besoin et pour apprendre aux nouveaux utilisateurs à employer l'appareil. Compulez les instructions de concert avec les étiquettes apposées sur le produit.

Des précautions de sécurité sont indispensables en présence de tout appareil mécanique ou à gaz propane. Des précautions sont nécessaires pour l'utilisation, le rangement et l'entretien. Utiliser cet appareil avec tous les soins qui lui sont dus réduire les risques de blessures corporelles ou de dommages matériels.

Les symboles ci-après reviennent régulièrement dans les instructions. Tenez compte de ces précautions, elles sont impératives lors de l'utilisation de tout appareil mécanique ou à gaz propane.

! DANGER

«DANGER» indique une situation dangereuse qui, si elle n'est pas contournée, entraînera la mort ou des blessures graves.

! AVERTISSEMENT

«AVERTISSEMENT» signale une situation potentiellement dangereuse qui, si elle n'est pas évitée, peut entraîner la mort ou des blessures graves.

! ATTENTION

«ATTENTION» dénote un danger potentiel qui, s'il n'est pas contourné, risque d'entraîner des blessures corporelles allant de peu graves à moyennes ou bien des dommages matériels.

! DANGER

L'inobservation des précautions et instructions fournies avec ces lanternes peut entraîner mort, blessures corporelles graves et dommages ou pertes matériels par suite des risques d'incendie, d'explosion, de brûlures, d'asphyxie ou d'intoxication oxycarbonée.

Ces lanternes doivent uniquement être utilisées ou dépannées par des personnes capables d'assimiler et d'observer les instructions fournies.

Si vous avez besoin d'aide ou de renseignements – notice d'emploi ou étiquettes, par exemple – contactez The Coleman Company, Inc.

PROPOSITION 65 DE LA CALIFORNIE:

AVERTISSEMENT: Ce combustible et les sous-produits de sa combustion contiennent des produits chimiques reconnus par l'État de la Californie comme pouvant causer le cancer, des malformations congénitales ou présenter d'autres dangers pour la reproduction.

⚠ AVERTISSEMENT

- Cet appareil brûle le propane, un gaz incolore, inodore et inflammable auquel est généralement ajouté un odorisant pour donner une odeur «d'œuf pourri» et faciliter la détection des fuites. Vu que l'odorisant peut s'estomper avec le temps, il serait insensé de se fier uniquement à son odorat pour détecter les fuites.
- Plus lourd que l'air, le gaz propane qui fuit s'accumule à ras du sol. Il peut être enflammé par des sources d'inflammation – allumettes, briquets, étincelles ou flammes nues, par exemple – éloignées de la fuite. Ne vous servez que de gaz propane destiné à être soutiré pour utilisation à l'état gazeux.
- Le propane doit être stocké et utilisé selon les codes et règlements municipaux ou, faute de code, à la norme ANSI/NFPA 58. Fermez le gaz entre utilisations.

⚠ DANGER



• RISQUE D'EXPLOSION ET D'INCENDIE

- Ne rangez jamais le propane près de la chaleur, de flammes, de veilleuses, de sources d'inflammation, aux rayons directs du soleil, ou dans un lieu où la température puisse dépasser 120 °F (49 °C).
- Plus lourd que l'air, le propane s'accumule au ras du sol. Si vous sentez le gaz, éloignez-vous immédiatement des lieux.
- Ne fixez ou détachez jamais la bouteille de gaz quand la lanterne est allumée, près de flammes, veilleuses, etc., ou est chaude au toucher.
- La lanterne peut être une source d'inflammation quand elle fonctionne. Ne l'utilisez pas dans les lieux qui contiennent ou peuvent contenir des substances combustibles volatiles ou en suspension dans l'air, ainsi que des produits tels essence, solvants, dissolvants, particules de poussière ou produits chimiques indéterminés. Gardez ces produits à au moins 0,3 m (1 pi) des côtés et 1,2 m (4 pi) du dessus de la lanterne.
- N'obstruez pas le flux d'air de combustion ou de ventilation.
- Lorsqu'elle fonctionne convenablement, la lanterne produit une lumière d'un blanc vif.

⚠ AVERTISSEMENT

Ne convient pas à l'utilisation dans maisons ou véhicules de plaisance.

Il est impossible de prévoir toutes les utilisations auxquelles puissent être soumis nos produits.

Consultez les autorités de sécurité incendie pour toute question quant à l'utilisation.

D'autres normes régissent l'utilisation des produits qui génèrent des gaz combustibles ou de la chaleur à des fins spécifiques. Les autorités municipales compétentes vous renseigneront.

- N'essayez jamais de recharger les bouteilles de gaz jetables.
- Servez-vous du régulateur pré-régulé fourni. Ne tentez pas de l'ajuster.
- Ne vous servez que d'accessoires ou pièces Coleman® pour le montage.
- À la mise en station de la lanterne, recherchez les fuites aux raccords à l'eau savonneuse, jamais avec une flamme.

⚠ AVERTISSEMENT



• RISQUE DE BRÛLURE

- Ne laissez jamais la lanterne sans surveillance quand elle fonctionne ou est chaude.
- Gardez la lanterne hors de la portée des enfants.

⚠ DANGER



• RISQUE D'INTOXICATION OXYCARBONÉE

- Cette lanterne est un appareil à combustion, un genre d'appareils qui génère de l'oxyde de carbone (CO). Cet appareil est conçu pour produire des quantités infimes et inoffensives de CO s'il est employé et entretenu conformément aux avertissements et instructions. Assurez-vous que le flux d'air ne soit jamais entravé vers la lanterne ou à partir de la lanterne.
- Les symptômes de l'intoxication oxycarbonée rappellent la grippe: yeux larmoyants, maux de tête, vertiges, fatigue, voire mort. Incolore et inodore, le CO tue. En présence de ces symptômes lors de l'utilisation de l'appareil, **allez immédiatement au grand air!**
- **Cet appareil est uniquement destiné à l'air libre.**
- **N'utilisez jamais la lanterne dans caravane, tente, véhicule ou autre lieu clos ou sans ventilation – elle consomme l'oxygène de l'air. Pour éviter de mettre votre vie en danger, ne l'utilisez jamais dans ces lieux.**

⚠ ATTENTION

• ENTRETIEN DE SÉCURITÉ

- Ne vous servez que de propane destiné à être soutiré pour utilisation à l'état gazeux.
- Raccords et garnitures doivent être immaculés. Examinez les raccords de la bouteille de propane et de la lanterne pour déceler tout dommage avant le raccordement.
- Lors de l'assemblage, **RECHERCHEZ LES FUITES** d'une ou de plusieurs façons: Appliquez une solution savonneuse aux raccordements. **Regardez** s'il se forme des bulles. **Écoutez** s'il chuinte du gaz. **Touchez** pour sentir le froid extrême. **Utilisez votre nez** pour détecter toute odeur d'œuf pourri. Ne recherchez jamais les fuites avec une flamme. **N'employez pas l'appareil en présence d'une fuite.**
- L'appareil ne convient qu'à l'éclairage. Ne le modifiez et ne lui ajoutez pas de dispositifs ou de pièces qui ne sont pas expressément conseillés par Coleman.
- Ne vous servez jamais de cet appareil pour le chauffage d'appoint.
- Posez-le toujours d'aplomb. Protégez la bouteille de la grande chaleur.

Caractéristiques techniques

Puissance d'entrée : 5 000 BTU/H
Catégorie : Propane à pression régularisée
Alimentation : Bouteilles de propane jetables de 465 g/16,4 oz.
Régulateur : 2600

Assemblage

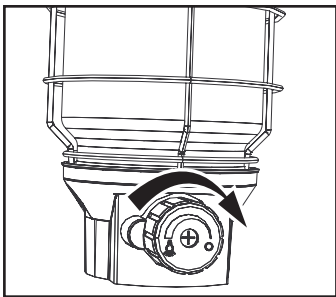
⚠ DANGER



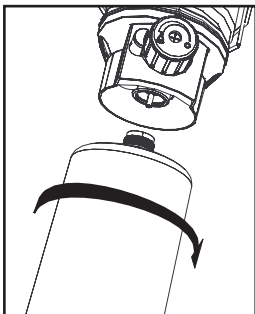
• RISQUE D'INTOXICATION OXYCARBONÉE

- Cette lanterne est uniquement destinée à l'air libre.
- Ne l'utilisez jamais dans maison, caravane, tente, véhicule ou autre lieu clos et sans ventilation. Cette lanterne consomme l'oxygène de l'air. Pour ne pas mettre votre vie en danger, ne l'employez pas dans les lieux clos et sans ventilation.

- **Remarque:** Utilisez les bouteilles de propane jetables Coleman® de 465 g/16,4 oz. Les bouteilles de GPL employées avec ces lanternes doivent être fabriquées et porter les marquages lisibles, conformément aux exigences du Ministère des Transports des U.S.A. ou à la norme CAN/CSA B339 de *Transport Canada*.
- Sortez la lanterne à l'air libre, loin des sources d'inflammation.
- Réglez la commande à l'arrêt.



- Enlevez le bouchon de la bouteille de propane; gardez-le pour le remettre en fin d'emploi. Fixez la bouteille à la lanterne; serrez à la main, sans fausser le filetage.

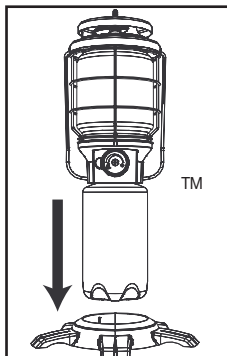


⚠ ATTENTION

• ENTRETIEN DE SÉCURITÉ

- Raccords et garnitures doivent être immaculés. Examinez la bouteille de propane ainsi que la lanterne pour déceler tout dommage avant les raccorder.
- Lors de l'assemblage, vérifiez tous les raccords à l'eau savonneuse – jamais avec une flamme. Des bulles signalent une fuite.

- Dépliez le pied tel qu'illustré.
- Placez solidement la bouteille dans le pied de la lanterne.

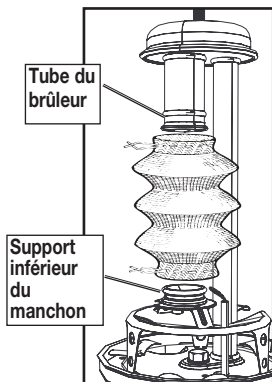


Fixation des manchons

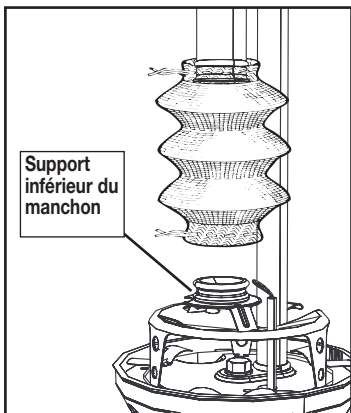
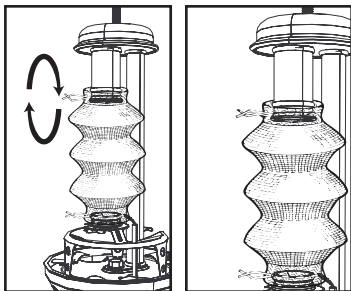
⚠ AVERTISSEMENT

- Remplacez tout manchon troué. Un trou peut faire surchauffer la lanterne et entraîner un risque d'incendie. Ne faites jamais fonctionner la lanterne sans que son pare-chaaleur ne soit convenablement en place.

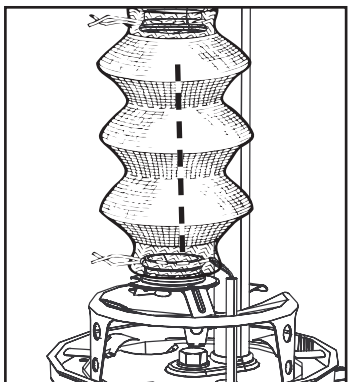
- Utilisez toujours les manchons authentiques Coleman® no 95. Lors de l'emploi de manchons à patte Insta-Clip® II, observez les instructions qui sont fournies sur l'emballage.
- Pour les manchons de marque à pince en métal, fixez le MANCHON au TUBE du BRÛLEUR et au SUPPORT INFÉRIEUR DU MANCHON. Veillez à ce que les pinces s'adaptent bien dans les rainures à cet effet.



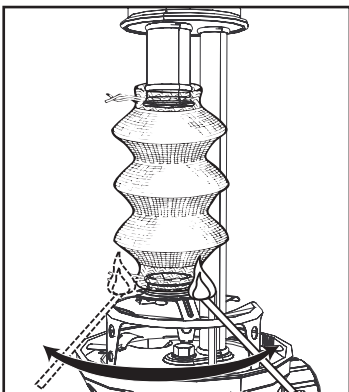
■ Tordez les pinces.



■ Tordez les pinces.

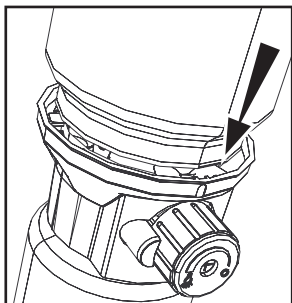


■ Enflammez uniformément le manchon et laissez-le brûler. Après le flambage un manchon se révèle très fragile. Veillez à ne surtout pas le toucher du doigt ou avec une allumette.



■ Remettez le VENTILATEUR et l'ENSEMBLE CAGE ET GLOBE. Positionnez le fil de la cage dans l'encoche du bâti.

REMARQUE: Lorsque vous remplacez le globe, veillez à ce qu'il ne touche pas à l'une des pinces, le manchon risquerait d'être délogé de la rainure.



Allumage

⚠ AVERTISSEMENT

Si vous sentez le gaz:

1. Ne tentez pas d'allumer l'appareil.
2. Éteignez toutes flammes nues.
3. Débranchez de l'alimentation en gaz.
4. Composez le 1-800-387-6161.

⚠ DANGER



• RISQUE D'EXPLOSION ET D'INCENDIE

- Plus lourd que l'air, le propane s'accumule à ras du sol. Si vous sentez le gaz, éloignez-vous immédiatement des lieux.
- Attachez et détachez toujours la bouteille de gaz au grand air, jamais quand la lanterne est chaude au toucher, allumée, près de flammes, de veilleuses ou bien à proximité d'autres sources d'inflammation.
- Allumez et employez toujours la lanterne à l'air libre.
- Ne l'exposez pas à des vapeurs ou liquides inflammables pendant l'allumage.
- La lanterne devient très chaud durant l'utilisation et peut enflammer les articles combustibles qui se trouvent trop près des manchons. Éloignez les articles inflammables d'au moins 30 cm (12 po) des côtés et 120 cm (48 po) du dessus. Gardez l'essence et les autres vapeurs et liquides inflammables à une bonne distance de la lanterne.

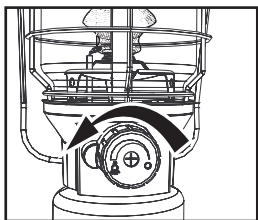
- Allumez et utilisez toujours la lanterne à l'air libre, jamais dans maison, campeuse, tente ou autre endroit clos et non ventilé.

INSTASTART™

Allumage – électronique

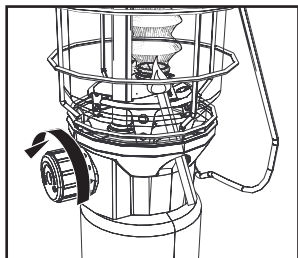
- Ouvrez la commande. Pressez l'allumeur rouge – une étincelle devrait jaillir entre l'électrode et le support inférieur et enflammer le manchon.

REMARQUE: Si la lanterne ne s'allume pas après plusieurs pressions sur l'allumeur, répétez la directive ci-dessus après avoir fermé la commande. Si la lanterne est mouillée (pluie, temps très humide, ou autre), il est possible qu'il ne se produise pas d'étincelle. Dans ce cas, suivez les directives d'allumage avec une allumette.



Allumage – par allumette

- Introduisez une allumette enflammée par le trou d'allumage, approchez-la du manchon et ouvrez le bouton de commande en grand.



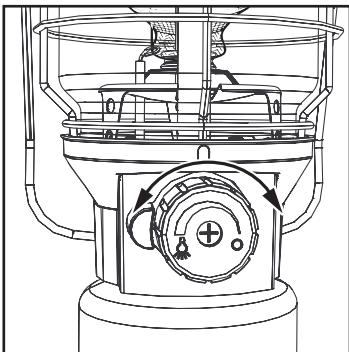
⚠ AVERTISSEMENT



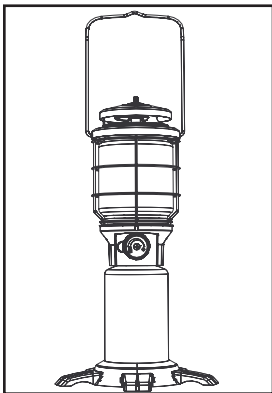
• RISQUE DE BRÛLURE

- Ne laissez jamais la lanterne sans surveillance quand elle fonctionne ou est chaude.
- Gardez la lanterne hors de la portée des enfants.

- L'intensité lumineuse s'ajuste à l'aide de la commande.

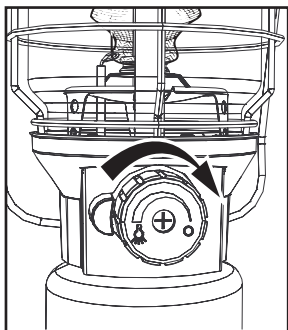


- Tenez la lanterne par son anse pour la porter.



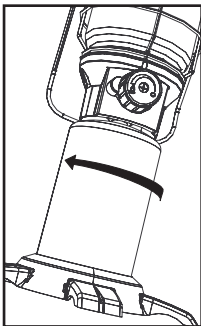
Extinction

- Réglez la commande à l'arrêt.

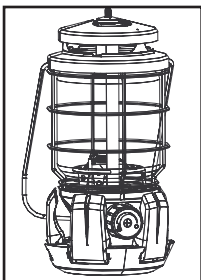


Rangement

- Attendez que la lanterne ait refroidi.
- Éloignez la lanterne des flammes (y compris des veilleuses) et des autres sources d'inflammation.
- Séparez la bouteille de propane de la lanterne.
- Rebouchez la bouteille de propane.



- Retournez le pied et repliez ses sections articulées sur le collet pour ranger la lanterne.



Renseignements essentiels

1. Il est dangereux et illégal dans certaines régions de stocker ou d'utiliser des bouteilles de gaz de pétrole liquéfié ayant une capacité d'eau de plus de 1,14 kg (2,5 lb) [environ 465 g (1 lb) de propane] dans les lieux habités.
2. Munissez-vous toujours de manchons de rechange Coleman®. Après le flambage, les manchons sont très fragiles et peuvent facilement être endommagés s'ils sont touchés ou échappés.
3. Nettoyez-la avec un linge doux et du détergent pour vaisselle. N'employez pas de produit récurant.
4. Hors saison, si vous rangez vos articles de camping et de pique-nique au sous-sol, grenier ou garage, placez la lanterne dans un sac de plastique fermé par un caoutchouc afin qu'elle ne s'empoussiére pas et ne se recouvre pas de toiles d'araignées.
5. Durant le fonctionnement, prenez la lanterne par son anse pour la transporter.
6. Si la lanterne brûle avec une flamme jaunâtre et enfumée, assurez-vous qu'il n'y ait pas de toiles d'araignées dans le brûleur et le tuyau d'air.
7. Si vous n'êtes pas satisfait du rendement de ce produit, vous pouvez nous en faire part en appelant l'un des numéros indiqués sur la couverture.

www.coleman.com

⚠ DANGER



• RISQUE D'EXPLOSION ET D'INCENDIE

- Ne rangez jamais le propane près de la chaleur, de flammes, de veilleuses, aux rayons directs du soleil, près d'une source d'inflammation ou dans un endroit où la température puisse dépasser 120 °F (49 °C).
- La bouteille de gaz doit être séparée de la lanterne pour le rangement.

Garantie limitée de cinq ans

The Coleman Company, Inc. (« Coleman ») garantit cet article contre tout vice de matériau et de fabrication pendant une période de cinq (5) ans courants à compter de la date de l'achat. Coleman se réserve le droit de choisir entre réparer ou remplacer cet article ou toute pièce de celui-ci dont la défektivité a été constatée au cours de la période de garantie. Le remplacement se fera au moyen d'un produit neuf ou remanufacturé ou bien d'une pièce neuve ou remanufacturée. Si l'article n'est plus disponible, il sera remplacé par un article semblable, de valeur égale ou supérieure. La présente constitue votre garantie exclusive.

Cette garantie n'est valable que pour l'acheteur au détail original à partir de la date de l'achat au détail initial et elle n'est pas transférable. Veuillez conserver le reçu d'achat original. La preuve d'achat est exigée pour tout service couvert par la garantie. Les concessionnaires Coleman, les centres de service et les détaillants qui vendent des articles Coleman® n'ont pas le droit d'altérer, de modifier ou de changer d'une manière quelconque les modalités de cette garantie.

Ce que ne couvre pas cette garantie

Cette garantie ne couvre pas l'usure normale des pièces, les pièces autres que les pièces authentiques Coleman® ou l'endommagement attribuable à toute raison suivante: à la négligence, à l'utilisation abusive du produit, à l'utilisation commerciale du produit, au non-respect du mode d'emploi, au démontage et à la réparation ou à l'altération par quiconque, sauf Coleman ou un centre de service agréé Coleman. Cette garantie ne couvre pas non plus les cas de force majeure comme incendies, inondations, ouragans et tornades. La garantie est automatiquement annulée si l'endommagement du produit découle de l'utilisation d'une pièce autre qu'une pièce de marque Coleman®.

COLEMAN N'ASSUME AUCUNE RESPONSABILITÉ POUR LES VICÉS RÉSULTANT DE L'EMPLOI DE PIÈCES NON AUTORISÉES OU DE RÉPARATIONS EXÉCUTÉES PAR UN PERSONNEL NON AUTORISÉ. COLEMAN DÉCLINE TOUTE RESPONSABILITÉ EN CAS DE DOMMAGES ACCESSOIRES OU INDIRECTS RÉSULTANT DU NON-RESPECT DE TOUTE GARANTIE OU CONDITION EXPLICITE OU IMPLICITE. SAUF DANS LA MESURE INTERDITE PAR LA LÉGISLATION PERTINENTE, TOUTE GARANTIE IMPLICITE DE QUALITÉ COMMERCIALE OU D'APPLICATION À UN USAGE PARTICULIER EST LIMITÉE À LA DURÉE DE LA GARANTIE OU CONDITION CI-DESSUS. CERTAINS ÉTATS ET CERTAINES PROVINCES OU JURIDICTIONS INTERDISENT D'EXCLURE OU DE LIMITER LES DOMMAGES ACCESSOIRES OU INDIRECTS, OU NE PERMETTENT PAS LA LIMITATION DE LA DURÉE D'APPLICATION DE LA GARANTIE IMPLICITE, DE SORTE QUE VOUS POUVEZ NE PAS ÊTRE ASSUJETTI AUX LIMITES OU EXCLUSIONS ÉNONCÉES CI-DESSUS. CETTE GARANTIE VOUS CONFÈRE DES DROITS JURIDIQUES PRÉCIS ET VOUS POUVEZ AVOIR D'AUTRES DROITS, CES DROITS VARIANT D'UN ÉTAT OU D'UNE PROVINCE À L'AUTRE.

Comment obtenir le service prévu par la garantie

Votre produit doit être couvert par la garantie afin d'obtenir le service de garantie. Si votre produit est défectueux et qu'il est encore couvert par la garantie, communiquez avec nous au 1-800-835-3278 (TDD 1-316-832-8707) afin d'obtenir une autorisation de retour. Ne retournez pas le produit à Coleman sans autorisation. On vous demandera de fixer une étiquette au produit qui comprendra votre nom, adresse, numéro de téléphone le jour et une description du problème. Ajoutez une copie du reçu de vente d'origine. **Emballer le produit et envoyer-le assuré par UPS, FedEx Ground ou colis postal avec frais d'expédition et assurance prépayés à :**

Pour les produits achetés aux États-Unis:

The Coleman Company, Inc.
3600 North Hydraulic
Wichita, KS 67219 U.S.A.

Pour les produits achetés au Canada:

Sunbeam Corporation (Canada) Limited
DBA Jarden Consumer Solutions
20B Hereford Street
Brampton, ON L6Y 0M1

Les frais d'envoi du produit à Coleman pour obtenir le service de garantie doivent être payés par l'acheteur.

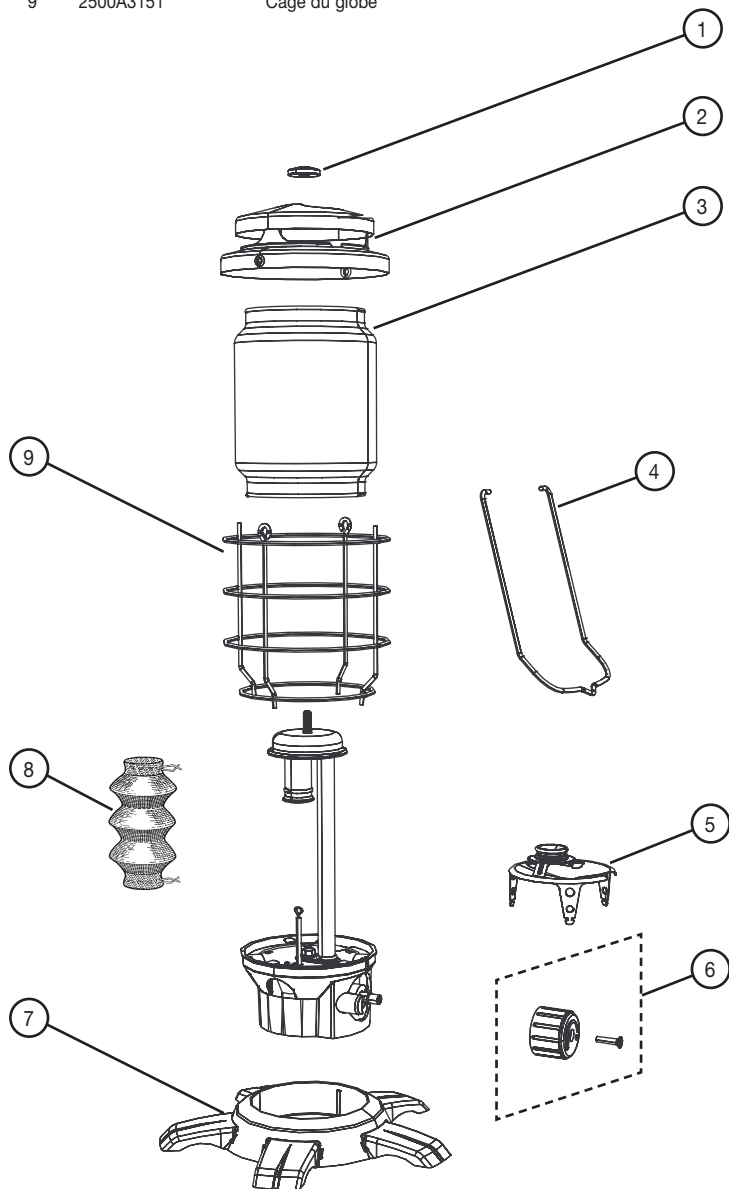
N'envoyez pas de produits dont le réservoir contienne du carburant ou bien auxquels soit fixée un bouteille jetable de propane. Retirez le globe en verre des lanternes et emballez-le séparément.

NE RETOURNEZ PAS CE PRODUIT AU LIEU D'ACHAT.

Si vous avez toute question quant à cette garantie, veuillez composer le 1-800-835-3278 ou le ATS 1-316-832-8707 aux États-Unis, et le 1-800-387-6161 au Canada.

Nomenclature

N°	Numéro de pièce	Désignation
1	2500A4411	Écrou du ventilateur
2	5010000629	Ventilateur noir
3	R2000B043C	Globe (limpide)
4	2500A1381	Anse
5	5010000576	Pare-chaueur
6	5010000107	Ens. du bouton
7	2550-5421	Pied
8	n° 95	Manchon-tube
9	2500A3151	Cage du globe



PARA SU SEGURIDAD

Si usted huele gas:

1. No intente encender el aparato.
2. Extinga cualquier llama abierta.
3. Desconecte el suministrador de combustible.

PARA SU SEGURIDAD

No almacene o use gasolina u otros líquidos que contengan vapores inflamables cerca de este o cualquier otro aparato.

! PELIGRO



RIESGO DE MONOXIDO DE CARBONO

- Este aparato puede producir monóxido de carbono el cual no tiene olor.
- Usarlo en un área cerrada puede causarle la muerte.
- Nunca use este aparato en un área cerrada como son las caravanas, tiendas de campaña, autos o en la casa.

Este manual contiene información importante acerca del ensamblaje, funcionamiento y mantenimiento de estas lámparas de propano. La información general de seguridad se presenta en estas primeras páginas y también está localizada a través del manual. Debe prestar atención particular a la información acompañada por el símbolo de alerta de seguridad “**! PELIGRO**”, “**! ADVERTENCIA**”, “**! PRECAUCION**”.

Guarde este manual como uso de referencia en el futuro y para educar a nuevos usuarios acerca de este producto. Este manual debe ser leído en conjunto con las etiquetas en el producto.

Las precauciones de seguridad son esenciales cuando se usa cualquier equipo mecánico o de abastecimiento de propano. Estas precauciones son necesarias cuando se usa, guarda y se le da servicio. El usar este equipo con el respeto y la precaución que se demanda reducirá las posibilidades de daños personales o daños a la propiedad.

Los siguientes símbolos mostrados abajo se usan extensivamente a través del manual. Siempre preste atención a las precauciones, ya que son esenciales cuando se usa un equipo mecánico o abastecido por propano.

PELIGRO

PELIGRO indica una situación de riesgo inmediata la cual, si no se evita, resultará en muerte o daños serios.

ADVERTENCIA

ADVERTENCIA indica una situación de riesgo potencial la cual, si no se evita, puede resultar en muerte o daños serios.

CUIDADO

CUIDADO indica una situación potencialmente peligrosa la cual, si no se evita, puede resultar en herida personal moderada o menor o daño a la propiedad.

PELIGRO

La falta de no cumplir con las precauciones e instrucciones provistas con estas lámparas puede resultar en muerte, heridas graves en el cuerpo y pérdida de la propiedad o daño de peligros de incendio, explosión, quemadura, asfixia y/o envenenamiento por monóxido de carbono.

Solamente las personas que puedan comprender y seguir las instrucciones deberán usar o hacer el servicio de estas lámparas.

Si usted necesita asistencia o información tales como un manual de instrucción o de las etiquetas, póngase en contacto con Coleman Company, Inc.

PROPOSICION 65 DE CALIFORNIA:

ADVERTENCIA: Este combustible y los derivados de la combustión de este combustible, contienen químicos conocidos en el estado de California como una causa de cáncer, defectos de nacimiento u otros daños al sistema reproductivo.

ADVERTENCIA

- Este producto está alimentado por gas propano. El gas propano es invisible, inodoro e inflamable. Normalmente se le añade un odorante para ayudar a detectar las fugas y el olor se puede describir como a "huevo podrido". El odorante puede desaparecer con el tiempo así es que la fuga de gas no siempre es detectable solo por el olor.
- El gas propano es más pesado que el aire y la fuga de gas descenderá al nivel del suelo más bajo posible. Este puede prenderse por fuentes de encendido incluyendo fósforos, encendedores, chispas o llamas abiertas de cualquier clase alejadas a muchos pies de la fuga original. Use solamente gas propano preparado para extraer el vapor.
- El gas propano debe ser guardado o usado en cumplimiento con las ordenanzas y códigos locales o con el ANSI/NFPA 58. Apague el propano cuando no esté en uso.

PELIGRO



• EXPLOSIÓN - PELIGRO DE INCENDIO

- No guarde nunca el propano cerca de un calor excesivo, llamas abiertas, fuegos de piloto, luz solar directa, otras fuentes de encendido o donde las temperaturas excedan los 120 °F (49 °C).
- El propano es más pesado que el aire y se puede acumular en los niveles del suelo más bajos. Si usted huele a gas, abandone el área inmediatamente.
- No instale o reemplace nunca el tanque de propano mientras la lámpara esté prendida, cerca de una llama, fuegos de piloto, otras fuentes de encendido o mientras la lámpara esté caliente al tacto.
- Durante su funcionamiento, este producto puede ser una fuente de encendido. No use nunca la lámpara en sitios que contengan o puedan contener combustibles volátiles o que se puedan transmitir a través del aire o productos tales como gasolina, solventes, disolventes para pintura, partículas de polvo o químicos desconocidos. Espacios de separación mínimos de los materiales combustibles: 12 pulgadas (30.5 cm) por los lados y 48 pulgadas (1.2 mtr.) por arriba.
- No obstruya el flujo de la combustión o la ventilación del aire.
- El funcionamiento apropiado de la lámpara produce una luz blanca brillante.

ADVERTENCIA

No la use dentro de la casa o en vehículos de recreo.

Nosotros no podemos preveer cada uso que se pueda hacer de nuestros productos.

Consulte con su autoridad de seguridad de incendios local si tiene preguntas acerca del uso.

Sus autoridades locales pueden aconsejarle a acerca de otras normas para regular el uso de gases de combustible y productos que producen calor para usos específicos.

- No rellene nunca los cilindros desechables.
- Use el regulador montado por la fábrica que viene con la lámpara. No intente ajustarlo.
- Use sola mente piezas y accesorios Coleman®.
- Durante el montaje de la lámpara, use agua jabonosa para revisar todos los terminales por si hubieran fugas. No use nunca una llama.

AVERTENCIA



• PELIGRO DE QUEMADURAS

- No deje nunca la lámpara desatendida cuando esté caliente o en uso.
- Manténgala fuera del alcance de los niños.

PELIGRO



• PELIGRO DE MONOXIDO DE CARBONO

- Esta lámpara es un aparato de combustión. Todos los aparatos de combustión producen monóxido de carbono (CO) durante el proceso de combustión. Este producto está diseñado para producir cantidades extremadamente diminutas y no peligrosas de (CO) si se usa y mantiene de acuerdo con todas las advertencias e instrucciones. No bloquee el fluido de aire hacia dentro o hacia afuera de la lámpara.
- El envenenamiento de Monóxido de Carbono (CO) produce síntomas parecidos a la influenza (flu), ojos llorosos, dolores de cabeza, mareos, cansancio y posiblemente la muerte. Usted no puede verlo u olerlo. Es un asesino invisible. Si estos síntomas se presentan durante el funcionamiento de este producto. **¡Busque aire fresco inmediatamente!**
- **¡Solamente para uso al aire libre!**
- **No la use nunca dentro de la casa, camper, tienda de campaña, vehículo u otras áreas cerradas o no ventiladas. Esta lámpara consume aire (oxígeno). No la use dentro de áreas cerradas o no ventiladas para evitar poner su vida en peligro.**

CUIDADO

• SEGURIDAD DE SERVICIO

- Use solamente el propano preparado para separación de vapor.
- Mantenga limpias todas las conexiones y terminales. Antes de conectar inspeccione el cilindro del propano y las conexiones de la lámpara de propano por si estuvieran dañadas.
- Durante el montaje, **COMPRUEBE SI HAY FUGAS** de una o más formas: Poner agua jabonosa en las conexiones. **Mire** si se producen burbujas. **Escuche** por un ruido de gas escapando. **Sienta** por si hay un frío extremo. **Huela** por un olor a huevo podrido. No use una llama. **No la use si hay una fuga.**
- Úsela solamente como un aparato para alumbrar. No altere nunca en ninguna manera o no la use con ningún aparato o pieza que no esté expresamente aprobado por Coleman.
- No la use nunca como una estufa para calentar un lugar.
- Úsela siempre parada en posición derecha. Proteja el cilindro de un calor excesivo.

Características Técnicas

Consumo: 5,000 BTU/H

Categoría: Propano de presión regulada.

Combustible: Use los cilindros desechables de propano de 16.4 onzas (.46 kgs.).

Regulador: 2600

Para Armar

⚠ PELIGRO

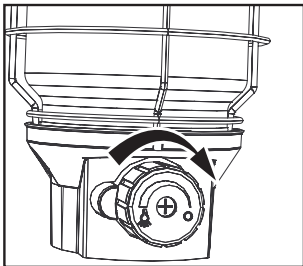


• PELIGRO DE MONOXIDO DE CARBONO

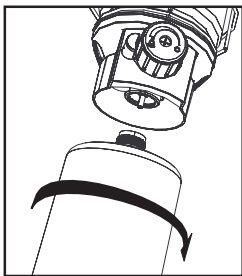
- Para uso al aire libre solamente.
- No la use nunca dentro de la casa, camper, tienda de campaña, vehículo u otras áreas cerradas o no ventiladas. Esta lámpara consume aire (oxígeno). No la use en áreas cerradas o no ventiladas para evitar poner en peligro su vida.

- **Nota:** Use los cilindros desechables de propano Coleman® de 16.4 onzas (408.2 grms.). El cilindro (s) de gas de Propano Líquido usado(s) con las lámparas debe (en) ser construido(s) y hecho(s) de acuerdo con las especificaciones para los cilindros de gas de Propano Líquido del Departamento de Transportes de los Estados Unidos o *Transporte del Canadá*, CAN/CSA B339.

- Ponga la lámpara al aire libre alejada de las fuentes de encendido.
- Gire la válvula de combustible a apagada (off).



- Quite la tapa protectora de la parte superior del cilindro de propano. Guarde la tapa para usarla cuando vaya a almacenarlo. Enrosque el cilindro de propano en la lámpara. Tenga cuidado de no trasroscar la rosca. Apriételo solamente a mano.

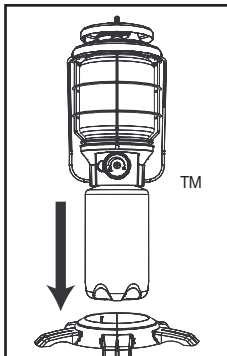


⚠ PRECAUCION

• SEGURIDAD DE SERVICIO

- Mantenga limpias todas las conexiones y los terminales. Antes de conectar inspeccione el cilindro de propano y las conexiones del propano de la lámpara por si estuvieran dañados.
- Mientras la arma, usando agua jabonosa revise todas las conexiones y los terminales por si hubieran fugas. Si hay burbujas indican que hay una fuga. No use nunca una llama.

- Despliegue la base del cilindro como se muestra.
- Ponga el cilindro asegurado en la base de la lámpara.

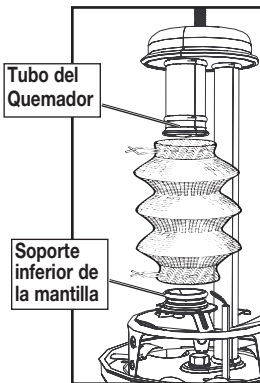


Para Atar las Mantillas

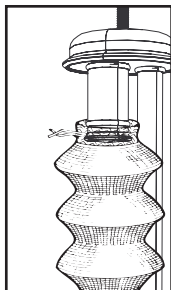
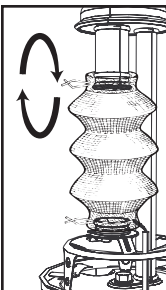
⚠ AVERTENCIA

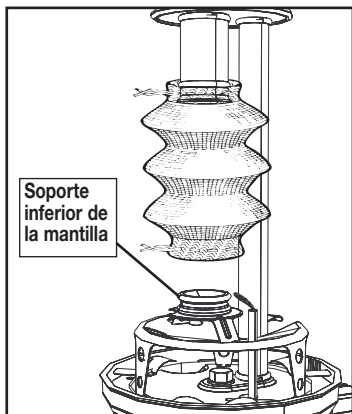
- Reemplace cualquier mantilla que tenga algún agujero. Un agujero puede causar que la lámpara se sobrecaliente y crear peligro. No haga funcionar nunca la lámpara sin el protector para el calor.

- Use siempre mantillas genuinas marca Coleman® tamaño #95. Si usa mantillas Insta-Clip® II, siga las instrucciones en el paquete de la mantilla.
- Si usa mantillas originales con ganchos de alambre, sujete la MANTILLA al TUBO DEL QUEMADOR y al SOPORTE INFERIOR PARA LA MANTILLA. Asegúrese que los ganchos encajen en las ranuras.



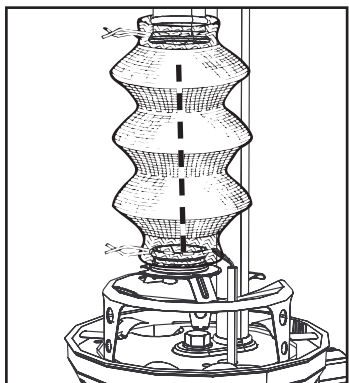
- Tuerza los sujetadores.



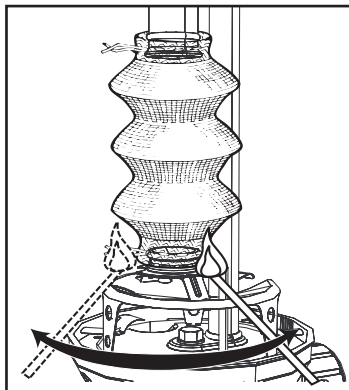


Soporte inferior de la mantilla

■ Tuerza los sujetadores.

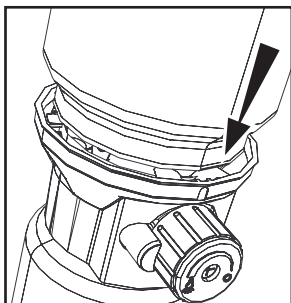


■ Encienda la mantilla uniformemente y déjela quemar. Una y otra vez la mantilla ha sido incinerada se pone muy frágil. Tenga cuidado en no tocarla con el dedo o fósforo.



■ Reemplace el VENTILADOR Y EL ENSAMBLAJE DEL PROTECTOR DEL GLOBO. Coloque el alambre protector en la muesca de la armadura.

NOTA: Cuando reinstale el globo en la lámpara asegurese de no hacer contacto con el sujetador de la mantilla. La mantilla se puede desalojar de la ranura.



Para Encender

⚠ ADVERTENCIA

Si usted huele gas:

1. No intente encender el aparato.
2. Extinga cualquier llama abierta.
3. Desconecte el suministrador de combustible.
4. Llame al 1-800-835-3278.

⚠ PELIGRO



• EXPLOSIÓN - RIESGO DE FUEGO

- El propano es más pesado que el aire y se puede acumular en los lugares bajos. Si usted huele gas, abandone el área inmediatamente.
- Conecte o desconecte siempre las fuentes del propano al aire libre; nunca lo haga mientras la lámpara esté encendida, cerca de una llama, fuegos de piloto, otras fuentes de encendido o cuando la lámpara esté caliente al tacto.
- Encienda y use siempre la lámpara al aire libre.
- Esta lámpara no se debe exponer a vapores o líquidos inflamables durante su encendido.
- Esta lámpara se pone al rojo vivo durante su uso y puede encender artículos inflamable que estén demasiado cerca de las mantillas. Mantenga las cosas inflamables por lo menos a 12 pulgadas (30.5 cm.) por los lados y a 48 pulgadas (1.2 mtr.) por encima de la lámpara. Mantenga la gasolina y otros vapores y líquidos inflamables muy lejos de la lámpara.

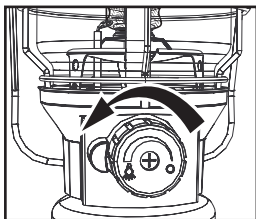
■ Encienda y utilice la lámpara siempre al aire libre; nunca dentro de la casa, cámper, carpa u otras áreas cerradas o sin ventilación.

INSTASTART™

Lámpara de Encendido Electrónico

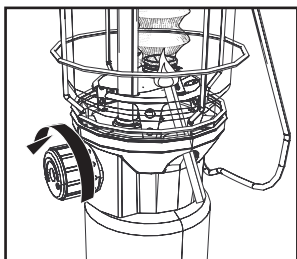
- Abra girando la válvula de combustible. Empuje el botón rojo del encendedor y deberá saltar una chispa entre el electrodo y el soporte inferior de la mantilla encendiendo la mantilla.

NOTA: De no encender la lámpara, repetir el paso anterior después de haber cerrado la válvula de combustible. Si la lámpara no enciende después de haber oprimido el botón del encendedor varias veces, repita el paso anterior después de haber cerrado girando la válvula de combustible.

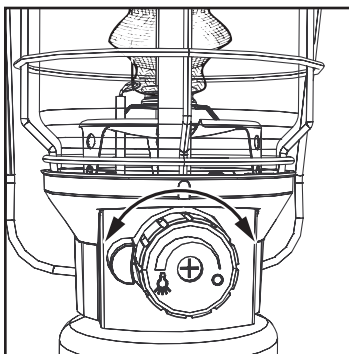


Encendido con fósforo

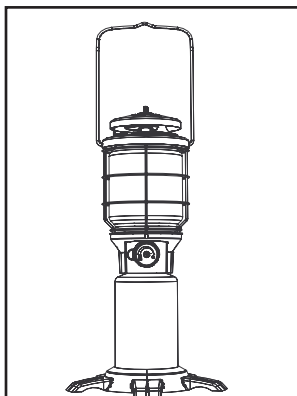
- Ponga un fósforo encendido a través del orificio de encender; sosténgalo cerca de la mantilla y abra la válvula de combustible completamente.



- La intensidad luminica puede ser ajustada con la válvula de combustible.

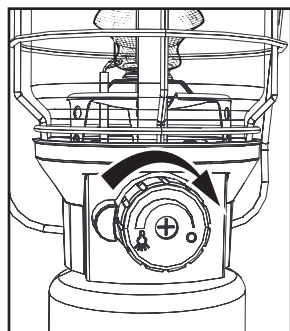


- La lámpara puede ser cargada por su asa.



Para Apagar

- Cerrar la válvula de combustible.



⚠ ADVERTENCIA

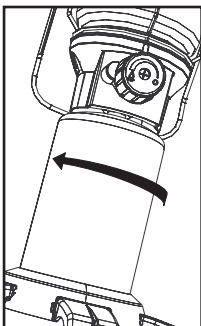


• PELIGRO DE QUEMADURAS

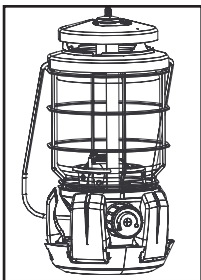
- No deje nunca la lámpara desatendida cuando esté caliente o en uso.
- Manténgala fuera del alcance de los niños.

Para Guardar

- Asegurarse de que la lámpara esté fría.
- Alejar la lámpara de la llama (incluyendo los mecheros pilotos) y otras fuentes de encendido.
- Quitar el cilindro de propano de la lámpara.
- Volver a colocar la tapa protectora del cilindro de propano.



- Invierta la base y colóquela en el collar para guardarla.



Cosas que Debe Saber

1. En algunos sitios es inseguro e ilegal guardar o usar cilindros de propano líquido de más de 1.14 kg (2.5 lbs.), capacidad de agua (aproximadamente 465g (1 lb.) propano) en sitios cerrados ocupados.
2. Tenga siempre un juego de repuesto de Mantillas Coleman®. Una vez que mada, una mantilla es frágil y se puede dañar si se toca o se cae.
3. Limpie con un paño ligero y con líquido de lavar platos suave. No use abrasivos.
4. Los sitios comunes para guardar equipos de campamento y expedición son un sótano, ático o garaje. Para evitar la acumulación de polvo, telarañas, etc., que son comunes en estas áreas, ponga su lámpara en una bolsa de plástico y ciérrela con una banda elástica.
5. Durante el funcionamiento, lleve la lámpara por el asa.
6. Si su lámpara produce una llama humeante amarilla, revise el quemador y el tubo del aire para ver si tienen telarañas.
7. Si no está completamente satisfecho con el funcionamiento de este producto, por favor llame a uno de los números listados en la cubierta de este manual.

www.coleman.com

⚠ PELIGRO



• EXPLOSIÓN - RIESGO DE FUEGO

- No guarde nunca el propano cerca de calor excesivo, llamas expuestas, pilotos de encendido, luz solar directa, otras fuentes de encendido o cuando las temperaturas excedan de 120 °F (49 °C).
- El cilindro debe ser desconectado cuando guarde la lámpara.

Garantía Limitada de Cinco Años

The Coleman Company, Inc. ("Coleman") garantiza que por un periodo de cinco (5) años a partir de la fecha original de compra, este producto estará libre de defectos en material y construcción. Coleman, a su discreción, reparará o reemplazará este producto o cualquier componente del producto que esté defectuoso durante el periodo de la garantía. Cualquier reemplazo será hecho con un producto o componente nuevo o refabricado. Si el producto no se encuentra disponible, el reemplazo se podrá hacer con un producto similar de igual o mayor valor. Esta es su garantía exclusiva.

Esta garantía es válida para el comprador original desde la fecha de la compra inicial y no es transferible. Guarde su recibo de compra. Prueba de recibo de compra es requerido para obtener ejecución de la garantía. Los comerciantes de Coleman, centros de servicio o las tiendas al por menor que venden artículos Coleman® no tienen el derecho de alterar, modificar o cambiar de ninguna otra manera los términos y condiciones de esta garantía.

Lo Que Esta Garantía No Cubre

Esta garantía no cubre el desgaste normal de las piezas, piezas que no sean genuinas de Coleman® ni daño resultante por las siguientes causas; uso negligente o uso incorrecto del producto; uso comercial de este producto, uso contrario a las instrucciones de operación, desmontaje, reparación o alteración por cualquiera que no sea Coleman o un centro de servicio autorizado. Además, la garantía no cubre Fuerzas Naturales tales como son fuego, inundaciones, huracanes y tornados. La garantía no es válida si el daño al producto es un resultado del uso de piezas que no sean piezas genuinas Coleman®.

COLEMAN NO SERA PESPONSABLE POR DEFECTOS CAUSADOS POR EL USO DE PIEZAS O SERVICIO NO AUTORIZADO. COLEMAN NO SERÁ RESPONSABLE POR NINGÚN DA—O INCIDENTAL O CONSIGUIENTE OCASIONADO POR LA VIOLACIÓN DE CUALQUIER GARANTÍA O CONDICIÓN IMPLICADA O EXPRESADA. CON EXCEPCIÓN AL LIMITE DE LO QUE PROVEE LA LEY APLICABLE, CUALQUIER GARANTÍA IMPLICADA DE COMERCIO O ADAPTACIÓN PARA UN USO EN PARTICULAR ES LIMITADA EN SU DURACIÓN A LA DURACIÓN DE LA GARANTÍA ARRIBA MENCIONADA. ALGUNOS ESTADOS, PROVINCIAS O JURISDICIONES NO PERMITEN LA EXCLUSIÓN O LIMITACIÓN DE DA—OS INCIDENTALES O CONSIGUIENTES O LIMITACIONES REFERENTE A CUÁNTO UNA GARANTÍA LIMITADA DEBE DURAR, POR LO TANTO LAS LIMITACIONES O EXCLUSIONES ARRIBA MENCIONADAS PUEDE QUE NO SEAN APLICABLES A USTED. ESTA GARANTÍA LE PROVEE DERECHOS LEGALES EXPECÍFICOS, Y ADEMÁS PUEDE QUE USTED TENGA OTROS DERECHOS QUE VARÍAN DE ESTADO A ESTADO O DE PROVINCIA A PROVINCIA.

Como Obtener Servicio de Garantía

Su producto debe estar en garantía para obtener servicio de garantía. Si su producto presenta defectos y está dentro del periodo de garantía, comuníquese con nosotros al 1-800-835-3278 (TDD 1-316-832-8707) para recibir una autorización de devolución. No devuelva el producto a Coleman sin autorización. Se le indicará colocar una etiqueta en el producto con su nombre, dirección, número de teléfono diurno y una descripción del problema. Incluya una copia del recibo original de compra. **Empaque cuidadosamente el producto y envíelo asegurado por UPS, FedEx Ground o Servicio de paquetes postales con el envío y el seguro prepagados a:**

Para productos comprados en los Estados Unidos:

The Coleman Company, Inc.
3600 North Hydraulic
Wichita, KS 67219 U.S.A.

Para productos comprados en Canada:

Sunbeam Corporation (Canada) Limited
DBA Jarden Consumer Solutions
20B Hereford Street
Brampton, ON L6Y 0M1

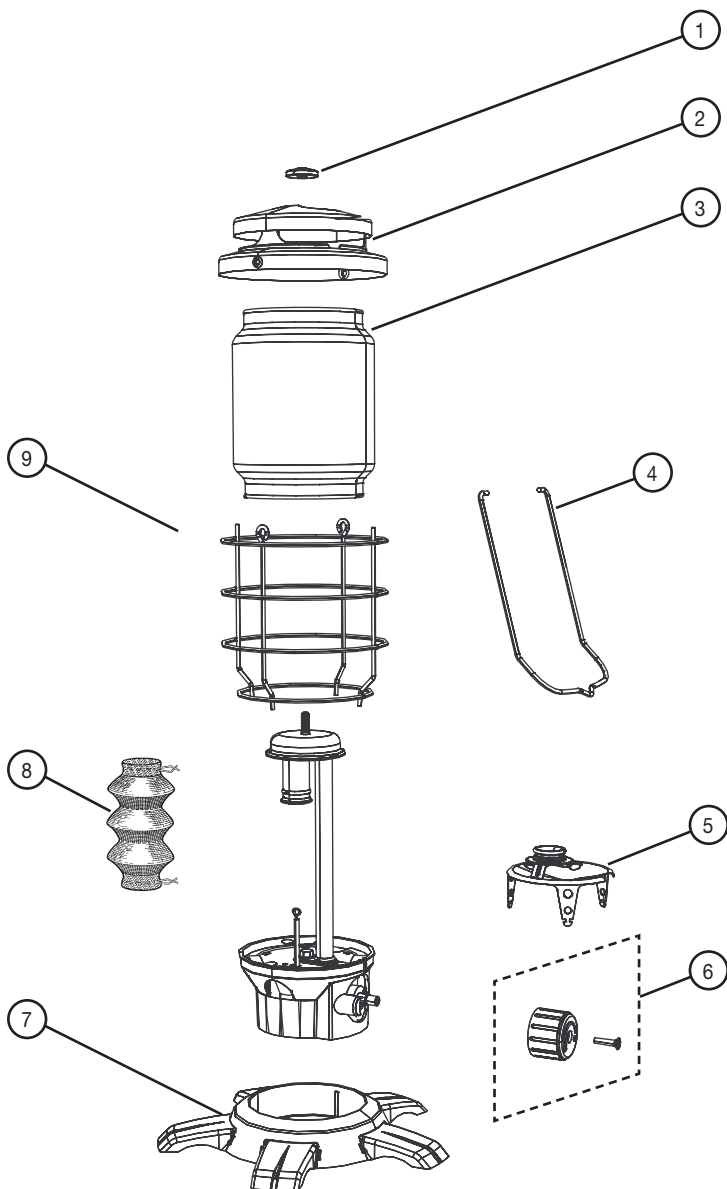
El costo del transporte del producto a Coleman para el servicio de garantía es responsabilidad del comprador.

No envíe productos con combustible en los tanques, o con cilindros de propano desechables. Quite los globos de cristal de las linternas y envuélvalos por separado. **NO DEVUELVA ESTE PRODUCTO AL LUGAR DONDE LO COMPRO.**

Si usted tiene alguna pregunta sobre esta garantía favor de llamar al 1-800-835-3278 o al TDD 1-316-832-8707 en los Estados Unidos o al 1-800-387-6161 en Canadá.

Lista de Piezas

No.	Número de Pieza	Descripción
1	2500A4411	Tuerca del Ventilador
2	5010000629	Ventilador Negro
3	R2000B043C	Globo (Transparente)
4	2500A1381	Agarradera de Transporte
5	5010000576	Escudo contra Calor
6	5010000107	Ensamblaje de la Perilla
7	2550-5421	Base
8	Tamaño #95	Mantilla Estilo Tubo
9	2500A3151	Protector del Globo











The Coleman Company, Inc. • 3600 North Hydraulic • Wichita, KS 67219 U.S.A.
1-800-835-3278 • TDD: 1-316-832-8707

Sunbeam Corporation (Canada) Limited • DBA Jarden Consumer Solutions
20B Hereford Street • Brampton, ON L6Y 0M1 • 1-800-387-6161

www.coleman.com

© 2012 The Coleman Company, Inc. All rights reserved. Coleman®, , , Insta-Clip® and NorthStar® are registered trademarks and InstaStart™ and the shape of the lantern are trademarks of The Coleman Company, Inc.

© 2012 The Coleman Company, Inc. Tous droits réservés. Coleman®, , , Insta-Clip® et NorthStar® sont des marques déposées, alors que InstaStart™ et le profil de la lanterne sont des marques de commerce de The Coleman Company, Inc.

© 2012 The Coleman Company, Inc. Todos los derechos reservados. Coleman®, , , Insta-Clip® y NorthStar® son marcas registradas e InstaStart™ y la figura de la lámpara son marcas de The Coleman Company, Inc.

The Coleman Company, Inc., a Jarden Corporation company/
une compagnie de Jarden Corporation/
Una compañía de Jarden Corporation (NYSE:JAH)