

# DO NOT PRINT THIS PAGE

## Printing Notes:

**Material:** White washable and tear resistant non-woven fabric, such as Tyvek.


**Ink:** Black

**Resolution:** 150 DPI or above

**Printing method:** Offset Printing

**Size:** 8.27 x 11.69 in (A4)

*This drawing contains proprietary information and trade secrets of The Coleman Company, Inc.  
Unauthorized use or copying is prohibited.*

METRIC [INCH]							
CRITICAL DIMENSION							
CHECKING IS COMPULSORY							
		02	29-AUG-13	Updated Model to "2000015790/ 2000015791" and ECN numbers.	Rainy X	20032935	
VOLUME	cm3	01	14-AUG-13	NEW	Rainy X	20032072	
MASS	grams	REV.	DATE	MODIFICATIONS	NAME	ECN NO.	
DENSITY	g/cm3	MATERIAL: SEE NOTES			<i>The Coleman Company, Inc.</i> Wichita, Kansas USA 67219		
GENERAL TOLERANCES EXCEPT AS NOTED		FINISH SPEC.: SEE NOTES			COMPOSITE- NO	SHEET 1 OF 1	
0 TO	6mm	SCALE:		DATE:	DRAWN BY:	APPROVED BY:	REVISION
>6 TO	30mm	1:1		14-AUG-13	Rainy X	ID	02
>30 TO	80mm						
>80 TO	180mm						
>180mm							
ANGULAR	= ± 3°	NAME: Instruction Sheet for 2000015790/ 2000015791 Shelter Super Light- Weight 10x10 /13x9			PART NO.:	4010026463	



# SHELTER SETUP INSTRUCTIONS

MODEL 2000015790/ 2000015791

(The shelter color may look different from yours. It is for illustration purposes only.)

## Before you begin

Read all instructions before set up.

- Select a level site clear of rocks, branches, and other hard or sharp objects, to install your shelter.

**WARNING:** Keep clear of overhead power lines.

- Do not set up your shelter under trees because of potential lightning strikes or falling tree limbs in inclement weather.
- Secure with **all** stakes and guylines provided to prevent property damage or personal injury.
- For best results in windy conditions, position narrow end of shelter into the wind.
- Do not drop shelter.
- Do not bounce shelter bag on its end to remove shelter, as these actions may damage the frame.
- THIS RECREATIONAL PRODUCT REQUIRES A MINIMUM OF TWO PEOPLE TO ASSEMBLE.
- Under no circumstances should this product be used to cover automobiles, marine products or similar items.

**CAUTION:** Avoid pinch points when opening and closing the shelter frame.

## 1 Extend the Shelter Frame

- Take out the shelter and place it on the floor. (Fig. 1)
- Unfold the arms of the shelter downward until they lay flat on the ground. (Fig. 2)

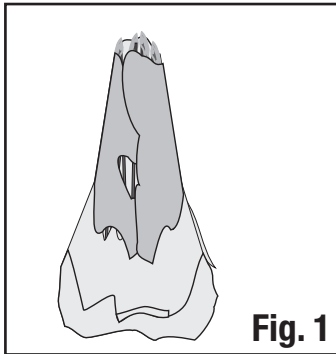


Fig. 1

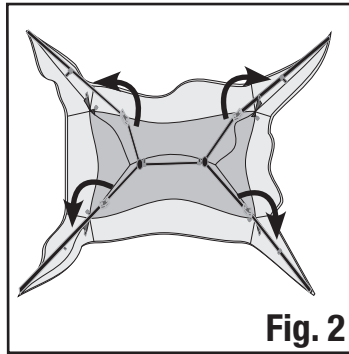


Fig. 2

## 2 Raise the Shelter

- Unfold the arm joints located at each of the shelter corners. (Fig. 3 and 4)
- Extend each of the telescoping leg poles until they snap into place. The shelter will raise as the leg poles are extended. (Fig. 5 and 6)

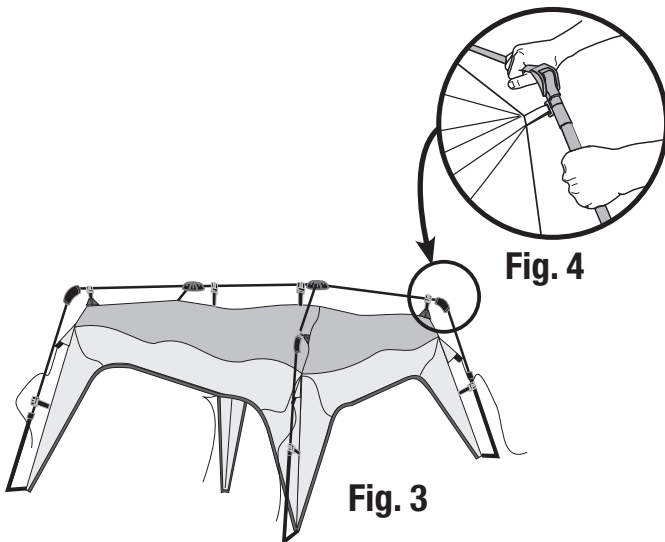


Fig. 3

Fig. 4

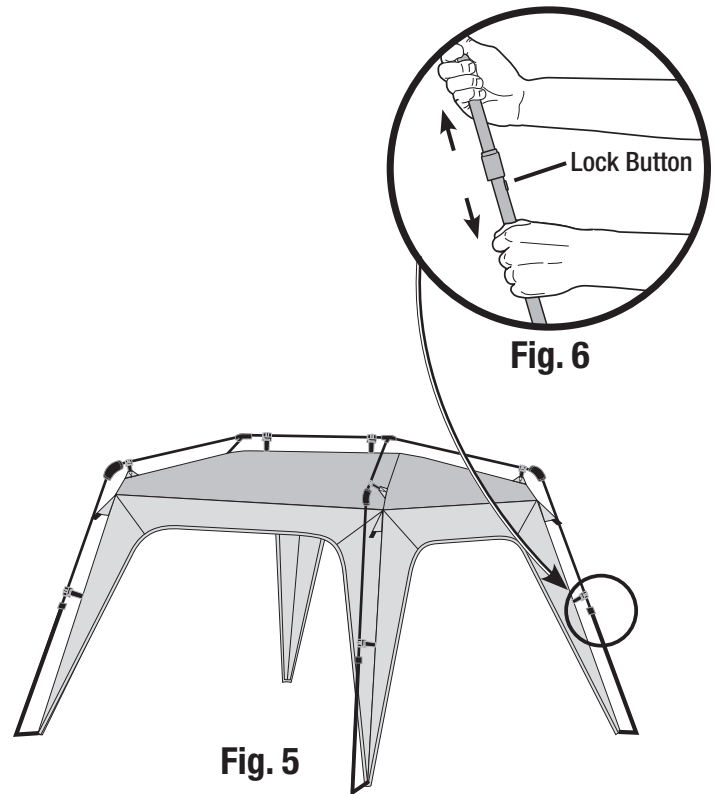


Fig. 5

Fig. 6

## 3 Verify Connections between Shelter and Frame Poles

- Verify the clips along the edges of the shelter are properly attached to the frame poles. (Fig. 7 and Fig. 8)

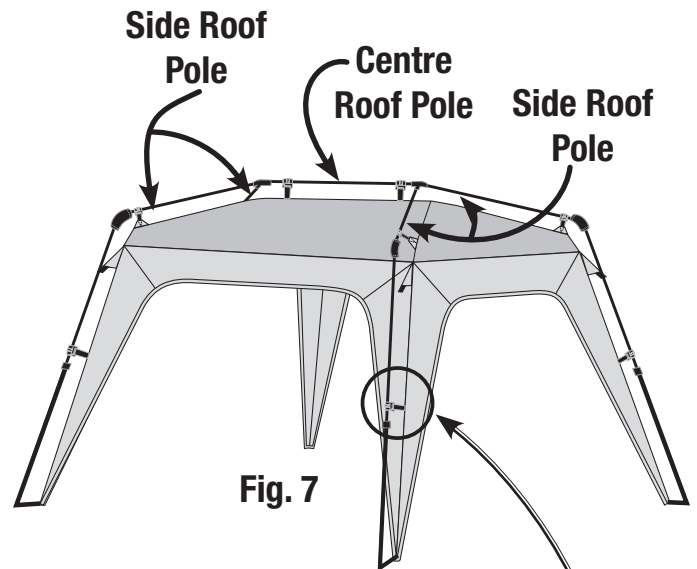


Fig. 7

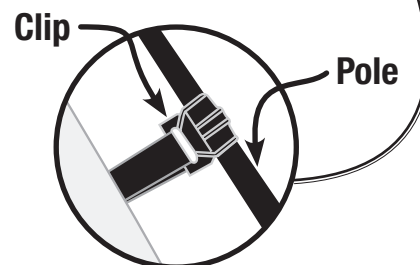


Fig. 8

(continued on other side)

## 4 Stake the Shelter

- Secure shelter by driving stakes through the webbing loops sewn to the shelter base. (Fig. 9)

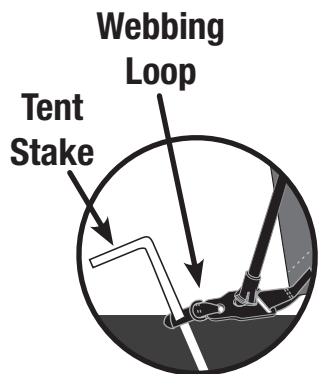


Fig. 9

## 5 Secure the Guylines

- Attach and stake out guylines. (Fig. 10)
- Adjust sliders to make guylines tight.

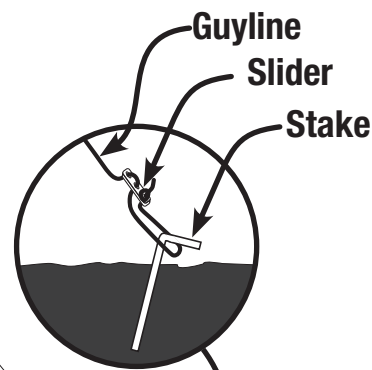
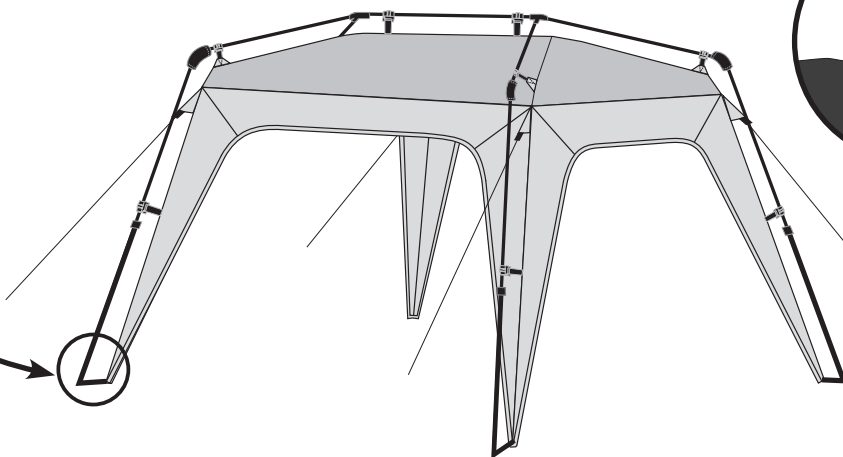


Fig. 10



## 6 Disassembly

To take down the shelter, follow the previous steps and illustrations in the reverse order:

- Remove guylines and stakes. (Fig. 10 and 9)
- Lower the frame one leg pole at a time by pushing the lock buttons and collapsing the telescoping leg poles. (Fig. 6)
- Fold the arm joints located at each of the shelter corners. (Fig. 4)
- Fold the leg poles and the side roof poles to the center roof pole. (Fig. 2 and 1)
- Place the shelter in the carry case for storage.

**TIP:** After collapsing the shelter, place it on its side, then roll it multiple times with pressure to reduce its size. This will allow the unit to slip into the carry case.

## 7 To Store

1. All stakes must be placed in the storage bag to prevent damage to the fabric items placed in the carry case.
2. Make sure all components are clean and dry before placing in carry case.
3. Store in a clean, dry area.

### Things You Should Know:

- Under certain conditions (cold weather, high humidity, etc.) condensation will form on the inside of your shelter. Condensation is caused by water vapor from your breath, perspiration, or any wet clothing inside the shelter. It is NOT LEAKAGE through the shelter fabric.
- Tree limbs, tree sap, bird droppings, or moisture steadily dripping off tree limbs can cause damage to the shelter fabric and its coating resulting in leaks or loss of flame-resistant properties.
- Never store shelter, even for a short period of time, without drying it thoroughly and brushing off caked dirt. Do not pack stakes inside your shelter. Use a separate storage bag.
- Stakes should be removed by pulling on the stake itself. NEVER PULL ON THE SHELTER TO REMOVE STAKES AS THIS COULD RESULT IN PROPERTY DAMAGE OR PERSONAL INJURY.
- Do not leave your shelter set-up for weeks at a time. Be aware that exposure to ultraviolet rays from the sun can seriously damage material and/or cause it to become discolored.
- This product is not intended to be used during heavy rain, wind, hail, snow or other inclement weather. Excess water build-up can cause the frame system to become unstable, and possibly collapse, causing injury.

- The shelter top, screen, and sun wall (if included) should be carefully removed during windy conditions to avoid damage to product or personal injury.
- DO NOT use gas or flame sources under or near this product.

**⚠ WARNING: KEEP ALL FLAME AND HEAT SOURCES AWAY FROM THIS TENT FABRIC.**

This tent meets the flammability requirements of CPAI-84. The fabric may burn if left in continuous contact with any flame source. The application of any foreign substance to the tent fabric may render the flame-resistant properties ineffective.



The Coleman Company, Inc. • 3600 North Hydraulic • Wichita, Kansas 67219 U.S.A.  
1-800-835-3278 • www.coleman.com

MADE IN CHINA

© 2013 The Coleman Company, Inc. All rights reserved.  
Coleman®, , and  are registered trademarks of  
The Coleman Company, Inc.

4010026463 (ECN20032935-02)