

How to Operate and Service your



INSTANT-LIGHTING

Model No. 425B

**TWO BURNER
CAMP STOVE**

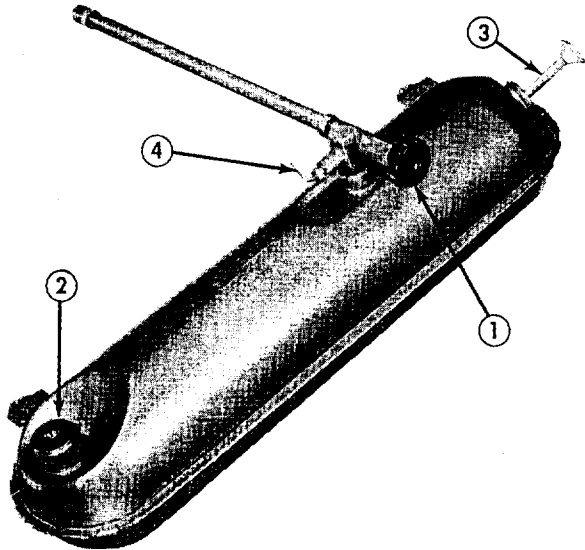
*To obtain satisfactory results,
read and follow these instructions carefully
step by step.*

Made in United States of America

The Coleman Company, Inc.

General Office and Factory: WICHITA 1, KANSAS, U. S. A.
Canadian Office and Factory: Toronto, Canada

HOW TO USE YOUR 425B TWO BURNER CAMP STOVE - GENERAL SUGGESTIONS



Always Use the Right Kind of Fuel

Those substances in gasoline which do not vaporize will collect in the generator in the form of carbon. The amount of service obtained from a generator depends to a great extent therefore, upon the kind and quality of fuel used.

If available, use a clean, fresh, unleaded gasoline. Never use a gasoline containing lead compounds or lubricating oils. Keep gasoline supply in a small, clean, closed, metal can. Do not use a glass container because of hazard in case of breakage.

If a suitable unleaded fuel is not available, then ask your service station operator to inquire of or write to his company. Most oil companies make available a special stove and lighting fuel or naphtha for use in those localities where a suitable white gasoline is not available.

To Open Stove

Press in against front end of each wire leg to unlock it. Hold in on leg while you pull it over end of stove. Push legs under stove where it will lock in position.

To Fill Tank

Be sure generator valve (1) is closed tightly by turning valve wheel to the right. Unscrew filler cap (2). Have tank

in a level position while filling it with clean, fresh fuel. The tank will hold approximately two pints. Replace filler cap and tighten firmly with fingers.

To Pump Air Pressure Into Tank

Be sure that the generator valve (1) and the filler cap (2) are closed firmly. Turn pump plunger knob (3) approximately two complete turns to the left. Place thumb over small hole in pump plunger handle and pump 35 to 40 full strokes of air into tank. Now turn the pump plunger knob to right until tight.

To Place Tank and Generator Unit in Operating Position

Insert the generator into large hole at right end of stove, then into opening in mixing chamber. Engage the hanger brackets into slots in front of case to support the tank.

To Instant-Lite Master Burner

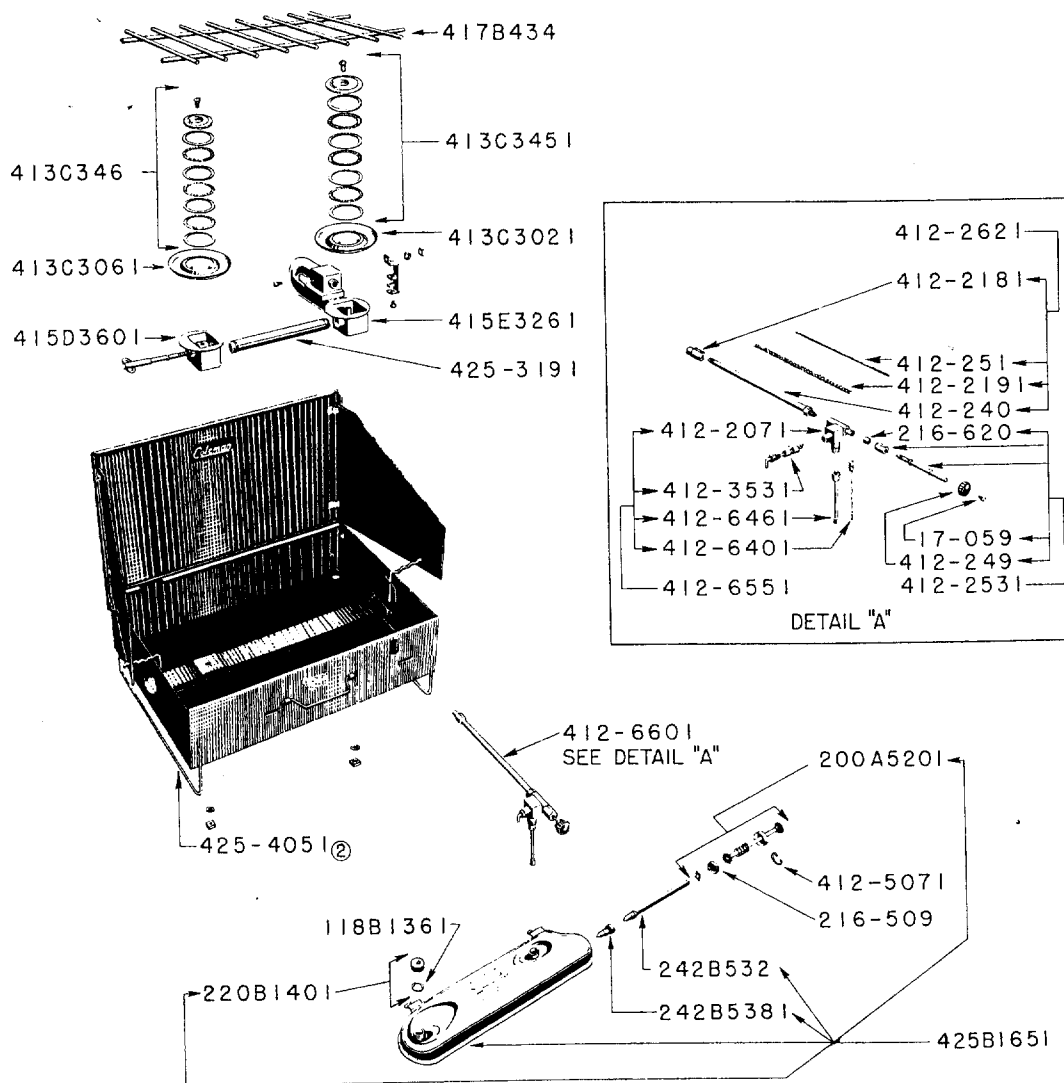
Be sure auxiliary valve is closed. Turn the instant-lighting lever (4) on valve body, to "UP TO LIGHT" position. While holding a lighted match above master burner, open generator valve by turning valve wheel (1) as far as it will go. When burner lights, close generator valve stem until you have the flame under control. Maintain a strong, active flame on the burner for approximately one minute. At that time, the flame on the burner should be quite blue so turn the instant-lighting lever (4) to "DOWN TO BURN" position. Flame regulation is obtained by turning valve wheel (1) to the right or left. Increasing the air pressure in the tank will increase the force or efficiency of the flame.

To Light Auxiliary Burner

After the main burner has been lighted, the auxiliary burner may be lighted by opening the auxiliary valve while holding a lighted match above the auxiliary burner. You may adjust the flame on the auxiliary burner to any desired height by turning the auxiliary valve to the right or left. Changing the height of the flame on the auxiliary burner will effect the flame on the master burner to the extent that it may be necessary to again regulate the flame on the master burner.

SEE YOUR COLEMAN DEALER FOR REPAIR PARTS

COLEMAN CAMP STOVE 425B



PARTS LIST FOR COLEMAN CAMP STOVE No. 425B

Part No.	DESCRIPTION	Part No.	DESCRIPTION
8B119	ENAMEL (Pressurized Spray — Forest Green)	412-2621	GENERATOR
17-059	MACHINE SCREW (#4 — 36 x 3/8 Rd. Hd. Stl.)	412-3531	STEM (Lighter)
118B1361	GASKET (Filler Plug)	412-5071	CLIP (Pump Cap)
200A5201	PLUNGER ASS'Y. (Pump)	412-6401	BLOCK & NEEDLE ASS'Y.
216-509	LEATHER (Pump)	412-6461	TUBE ASS'Y. (Fuel & Air)
216-620	PACKING (Valve Stem)	412-6551	VALVE (Less Gen. & Valve Stem)
220B1401	FILLER PLUG	412-6601	VALVE & GENERATOR (Complete)
242B532	STEM (Air)	413C3021	BURNER BOWL (Master)
242B5381	CHECK VALVE	413C3061	BURNER BOWL (Aux.)
412-2071	VALVE BODY	413C3451	CAP & FILLERS (Master)
412-2181	GAS TIP (Mk'd. AK)	413C3461	CAP & FILLERS (Aux.)
412-2191	COIL (Generator)	415D3601	VALVE STEM (Aux. with Manifold)
412-240	TUBE (Gen. — with Nut)	415E3261	MST. BURNER BODY
412-249	WHEEL (Valve)	417B434	GRATE
412-251	NEEDLE ASS'Y.	425-3191	PIPE (Manifold)
412-2531	STEM ASS'Y.	425-4051	LEG
		425B1651	TANK

To Turn Auxiliary Burner Off

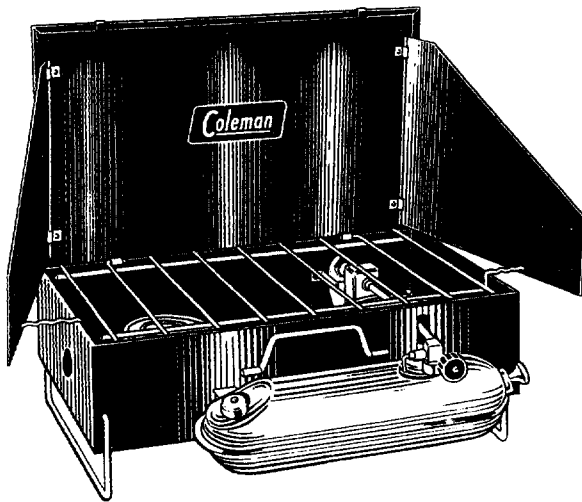
Turn the auxiliary burner valve to right until closed.

To Shut Off Main Burner

Turn the instant-lighting lever (4) to "UP TO LIGHT" position and allow the stove to burn for about one minute on the instant-gas mixture. This clears the heavier parts of the fuel from the generator and makes possible better instant-lighting results the next time the stove is used. Now turn the generator valve wheel (1) to the right and tighten firmly. The valve stem seats in the valve body to provide a positive shut off at that point. The few drops of gasoline trapped in the generator tube will continue to vaporize and may produce enough gas to carry on the flame for a minute or so.

To Pack Stove Into Carrying Position

Reverse the procedure followed in setting up the stove. The tank and generator assembly should be placed in the left end of the stove as you stand in front of it.



KEEP BURNER PARTS clean. An obstruction, such as a burned match head, near fillers in cap, will produce a yellow flame at that point.

THE PUMP PLUNGER is not only used for pumping air pressure into the tank but it acts as a wrench to turn the air stem. Turning the plunger to the left, unscrews the air stem so air may be forced through the check valve at the bottom of the pump barrel. Turning the pump plunger to the right, screws the air stem into the check valve to provide a positive shut off at that point. Air pressure may be added while stove is burning. Oil the leather occasionally for greater efficiency.

KEEP TANK CLEAN by rinsing it occasionally with clean fuel.

IF STOVE IS to be stored for any length of time, be sure to empty the tank to prevent any acid in the gasoline from damaging tank. Remove filler cap and you can pour the gasoline out through the filler cap bushing. Gasoline, if left in the tank for a long time, might sour and produce a gum or varnish-like substance which would interfere with correct operation of the instant-lighting mechanism.

THE STOVE GENERATOR is merely a device for vaporizing or changing the liquid fuel to a vapor. Eventually the generator may fill up with carbon to the extent that no more fuel may be forced through it. It would be well, therefore, to keep an extra generator, No. 412-2621, on hand for a spare.

THE GASKET in filler cap may deteriorate with age. It might be well to install a new, No. 118B1361 gasket every year or so if the old one is hard and brittle.

AFTER EACH CAMPING trip be as careful about cleaning tank and other parts of your Camp Stove as you are about cleaning your fishing tackle or gun and your Coleman Camp Stove will render you faithful service.

CONTACT YOUR DEALER when you need service assistance or parts for your stove. If necessary to write The Coleman Company, Inc., mention that the stove is a No. 425B.