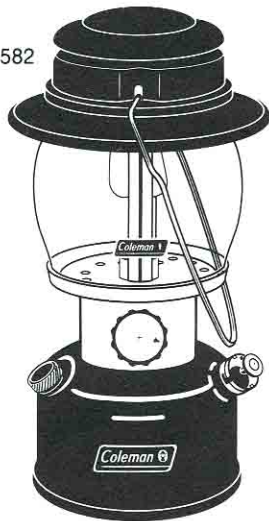


# How To Use and Enjoy Your Coleman® Fuel Lantern model 635B721

U.S. PAT. NO. 4,522,582



## Coleman® 1 Year Limited Warranty

Coleman will repair or replace, at its option, this product or any component of the products found to be defective in materials or workmanship as follows:

This warranty is valid for the original retail purchaser from the date of initial retail purchase and is not transferrable. Keep the original sales receipt. Proof of purchase is required to obtain warranty performance. Coleman dealers, service centers, or retail stores offering Coleman products do not have authority to alter, modify or in any way change the terms or conditions of this warranty.

### WHAT IS NOT COVERED

- Cost of shipment to Coleman
- Normal wear and tear, including chips, scratches, abrasion, discoloration or fading from use or exposure to sunlight
- Damage caused by misuse, abuse, neglect, alterations, repairs by unauthorized persons, use of non-Coleman accessories or parts, or failure to follow recommended care or maintenance instruction.
- Products sold outside the United States, Puerto Rico, Virgin Islands, Guam, Canal Zone or American Samoa
- Products used for commercial purposes or in profit or non-profit instructional or rental operations
- Mantles, generators, light bulbs, batteries, fuel
- CONSEQUENTIAL DAMAGES, INCIDENTAL DAMAGES, OR EXPENSES, INCLUDING DAMAGES TO PROPERTY. SOME STATES DO NOT ALLOW THE EXCLUSION OR LIMITATION OF INCIDENTAL OR CONSEQUENTIAL DAMAGES, SO THE ABOVE LIMITATION OR EXCLUSION MAY NOT APPLY TO YOU.

### IMPLIED WARRANTIES

ANY IMPLIED WARRANTIES, INCLUDING IMPLIED WARRANTIES OF MERCHANTABILITY AND FITNESS FOR A PARTICULAR PURPOSE, SHALL BE LIMITED TO THE DURATION AND TERMS OF THE EXPRESS WARRANTIES SET FORTH IN THE LIMITED WARRANTY. SOME STATES DO NOT ALLOW LIMITATIONS ON HOW LONG AN IMPLIED WARRANTY LASTS, SO THE ABOVE LIMITATION MAY NOT APPLY TO YOU.

### HOW TO OBTAIN WARRANTY PERFORMANCE

Take the product to an authorized Coleman Service Center. If one is not conveniently located, attach a tag to the product which includes your name, address, telephone number and description of the problem. Include a copy of the original sales receipt. Carefully package the product and send prepaid either by U.P.S. or Parcel Post, insured, to: The Coleman Company, 3600 N. Hydraulic, Wichita, KS 67219. Please do not mail products with fuel in tanks, or with disposable propane cylinders. Remove glass globes from lanterns.

NOTE: To the extent any provision of this warranty is prohibited by federal, state, or local law and cannot be preempted, it shall not be applicable. This warranty gives you specific rights and you may also have other rights which vary from state to state.

3600 N. Hydraulic • Wichita, Kansas 67219, 1-800-835-3278  
TDD: 316-832-8707

3/93

Made in United States of America

**THE COLEMAN COMPANY, INC.**

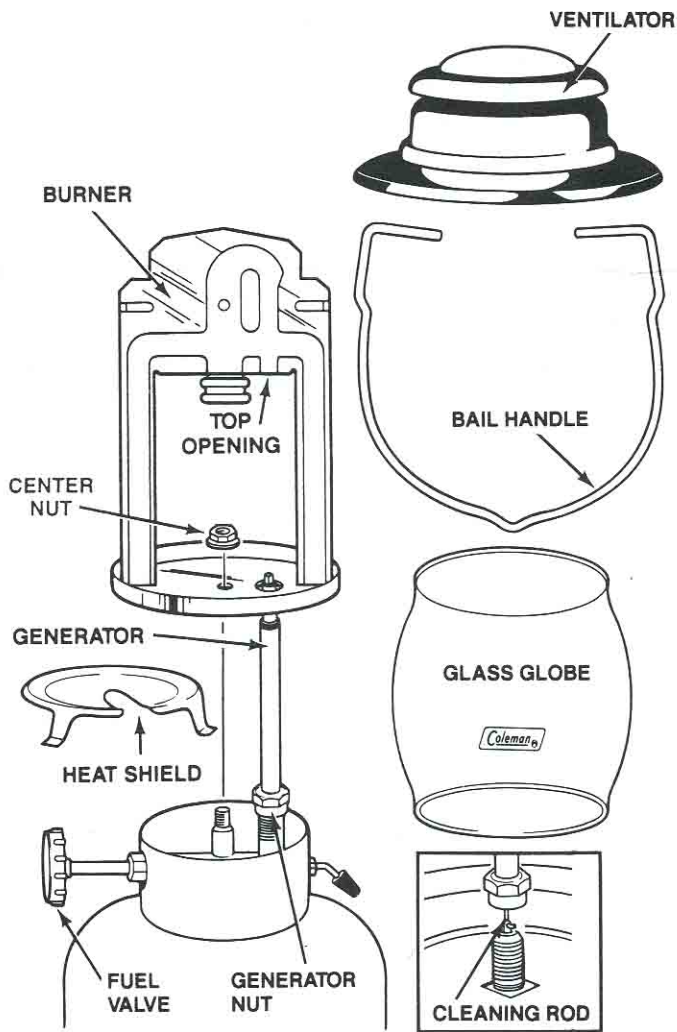
General Office and Factory: Wichita, Kansas U.S.A. 67219

635-051 (1/96) P.I.

LITHO IN U.S.A.

## Generator Replacement

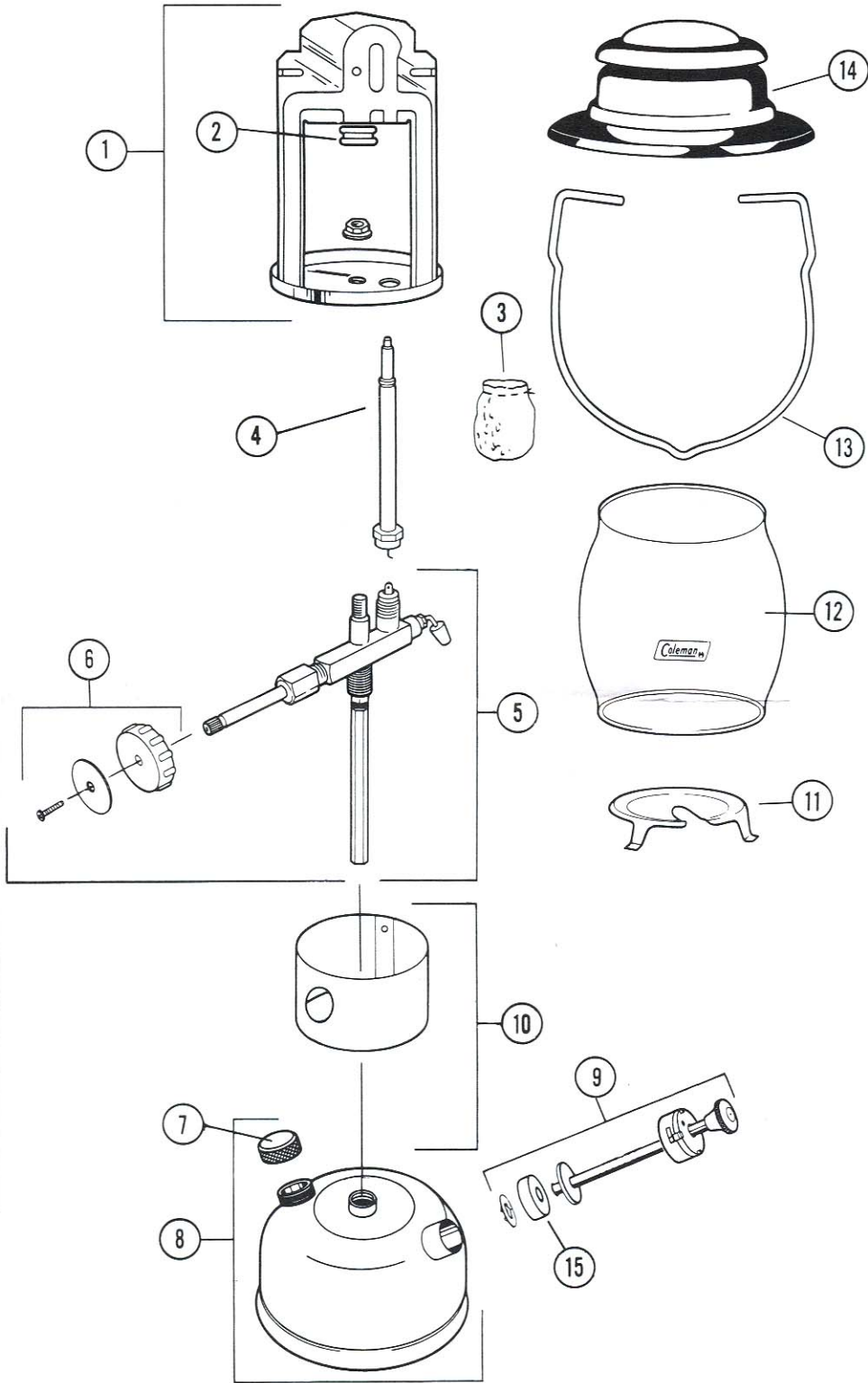
1. Turn FUEL VALVE to "OFF". Remove BAIL HANDLE and VENTILATOR. Remove GLASS GLOBE.
2. Remove HEAT SHIELD.
3. Unscrew CENTER NUT and lift BURNER from lantern.
4. Unscrew GENERATOR NUT, lift GENERATOR and unhook CLEANING ROD.
5. On new generator, pull CLEANING ROD out about 1/4 inch and rehook CLEANING ROD. Carefully lower generator to avoid bending cleaning rod.
6. Wrench tighten GENERATOR NUT.
7. Replace BURNER making sure top of generator fits into TOP OPENING in BURNER. Replace CENTER NUT.
8. Replace HEAT SHIELD.
9. Check MANTLE for damage and replace if needed. Reassemble lantern.
10. Visually check for leak immediately after lighting.

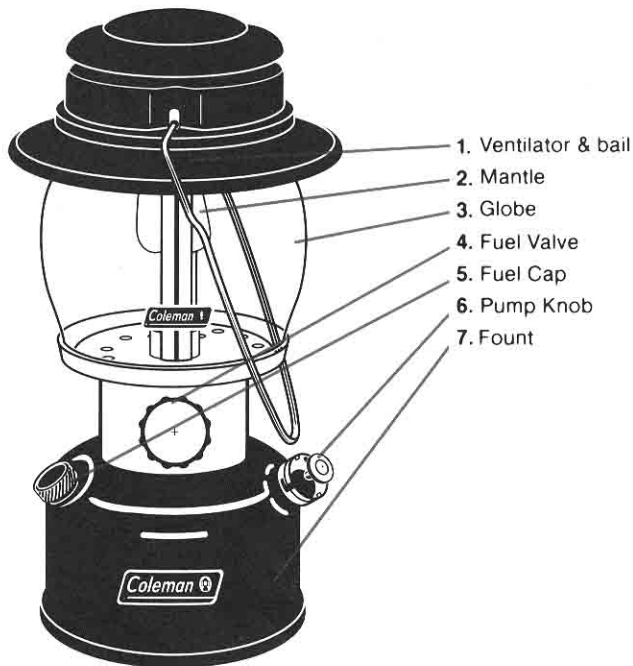


# Parts List For Coleman® Lantern model 635B721

## ITEM

NO.	PART NO.	DESCRIPTION
1	635-3265	BURNER ASSY.
2	635-3155	BURNER CAP & SCREEN
3	1111	MANTLE
4	635-5891	GENERATOR (K-6)
5	635A6565	VALVE ASSY.
6	R407A149J	KNOB ASSY.
7	220C1401	FUEL CAP
8	635-1595	FOUNT ASSY.
9	242E5201	PUMP PLUNGER ASSY.
10	635-4271	COLLAR
11	635-1151	HEAT SHIELD
12	690-0581	GLOBE
13	635B4231	BAIL HANDLE
14	639A4851	VENTILATOR
15	216-5091	PUMP LEATHER





## Follow instructions and warnings to avoid fires, serious injury, or death.

### WARNING:

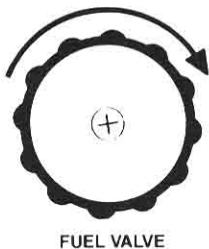
1. Coleman fuel is extremely flammable, handle with extreme care. Fuel vapors are invisible, explosive, and can be ignited by ignition sources many feet away.
2. This lantern is designed to use Coleman fuel. Never use kerosene, unleaded or leaded automotive fuel.
3. Store fuel in a clean, properly marked container away from flame (including pilot lights), other sources of ignition, or excessive heat.
4. Always fill outdoors. Never fill lantern, loosen or remove fuel cap while lantern is lighted, near flame (including pilot lights), other ignition sources, or while top of lantern is hot to touch.
5. Always light and use lantern outdoors; never inside house, camper, tent, or other unventilated or enclosed areas.
6. This lantern consumes air (oxygen). Do not use in unventilated or enclosed areas to avoid endangering your life.
7. Keep lantern away from flammables. Never allow fabric, clothing, or any flammable material to come within 4 ft. (1.2m) of the top and 1 ft. (30cm) of the side of the lantern.
8. Use for lighting only. Never alter in any way or use with any device or part not expressly approved by Coleman. Do not use as a space heater.
9. Replace any mantle with a hole in it. A hole can cause lantern to overheat and create a hazard.
10. Keep out of reach of children.

## 1 To Fill

Always fill outdoors. Never fill lantern, loosen or remove fuel cap while lantern is lighted, near flame (including pilot lights), other ignition sources, or while top of lantern is hot to touch.

1. Turn FUEL VALVE to "OFF". (Fig. 1)
2. Close PUMP KNOB firmly. Turn in direction of arrow. (Fig. 2)
3. Remove FUEL CAP. Use a Coleman filter funnel and fill with clean, fresh fuel. Lantern must be in a level position. DO NOT TIP. (Fig. 3)
4. Replace FUEL CAP on lantern and on fuel container. Tighten firmly. WIPE UP ANY SPILLED FUEL AND DISPOSE OF IN A SAFE PLACE.

Fig. 1



FUEL VALVE

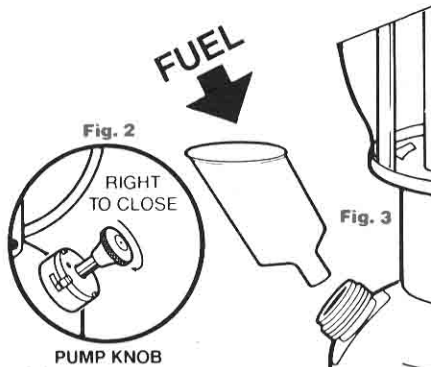


Fig. 2

Fig. 3

PUMP KNOB

## 2 To Tie On Mantle

1. ALWAYS USE GENUINE COLEMAN MANTLES.
2. Tie MANTLE around groove in BURNER. (Fig. 4) Distribute folds of MANTLE evenly. Cut off surplus string 1/4" from knot.
3. Light bottom of MANTLE evenly. Burn until nothing but white ash remains. Once the MANTLE has been burned it is very fragile. Be careful not to touch it with finger or match.
4. Allow MANTLE to cool before lighting lantern.
5. Install GLOBE, VENTILATOR, and BAIL.

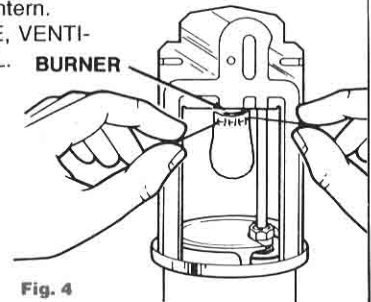
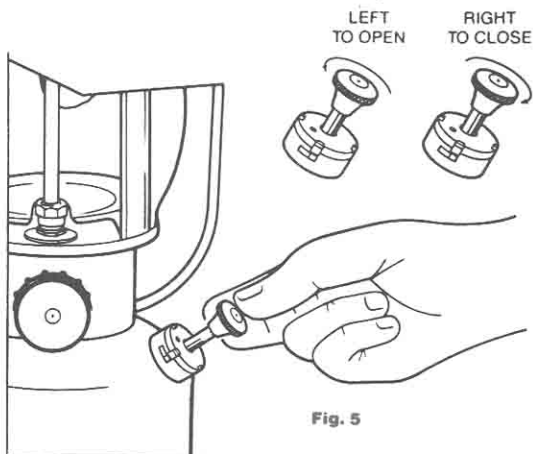


Fig. 4

## 3 To Pump

1. Be sure FUEL VALVE is "Off" and fuel cap is closed firmly.
2. Open PUMP KNOB one turn.
3. With thumb over hole in PUMP KNOB, pump approximately 30 strokes. If lantern is not full of fuel, more pump strokes are required. **GOOD AIR PRESSURE IS IMPORTANT.**
4. Close PUMP KNOB firmly.



## 4 To Light

1. Be sure the cleaning lever is in up position. (Fig. 6)
  2. Push lighted match through lighting hole and hold near mantle and **OPEN VALVE WHEEL IN DIRECTION OF ARROW 1/4 TURN ONLY**. Opening further will cause flooding. Mantle will take a few seconds to light.
  3. When mantle glows brightly (no flame), open valve wheel all the way (about 3-1/2 turns).
  4. Open pump knob. Pump 15-25 strokes. Close pump knob.
  5. Rapidly rotate cleaning lever several times. Leave in up position. Repeat as necessary during operation.
  6. Air pressure must be added at intervals. Good air pressure is important. (Step 4)
- NOTE:** Flames other than at mantle indicates flooding or a leak. Close valve wheel firmly. Permit flames to burn out. Allow lantern to cool. Review instructions and correct problem.



Fig. 6

## 5 To Turn Off

1. Turn FUEL VALVE to "OFF". Light will dim and go out in about 1-2 minutes.

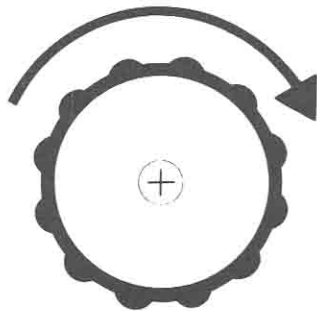


Fig. 7

## Things You Should Know

1. Carry a spare set of Coleman Mantles. Once burned, a mantle is fragile and can be damaged if touched or dropped.
2. For best results, use only Coleman fuel in this lantern. Coleman fuel is especially formulated and tested to rigid specifications for long storage life and includes a rust inhibitor to help prevent corrosion. Use of other fuels including unleaded automotive fuel may shorten generator life, damage lantern, and result in unsatisfactory performance.
3. Rinse tank occasionally with fresh fuel to remove sediment, gum formations, and moisture accumulations. If lantern is to be used for standby service, rinse and refill annually with fresh fuel.
4. Oil pump periodically to keep it working smoothly.
5. The usual storage areas for camping and picnic equipment are the basement, attic, or garage. To avoid the accumulation of dust, cobwebs, etc. that is common in these storage areas, place your lantern in a plastic bag and seal it with a rubber band.
6. For repair service call one of the numbers listed below for location of your nearest Coleman Service Center. If lantern must be mailed to Service Center, attach your name, address, and a description of problem to product and mail to Service Center prepaid, less globe and ventilator to prevent breakage. If necessary to write the Service Center or factory, refer to your lantern by model number.
7. If not completely satisfied with performance of this product, please call one of the numbers listed below.