



Propane Stove 9941 Series

INSTRUCTIONS FOR USE

U.S. and other Patents Pending
© 2001 The Coleman Company, Inc.
www.coleman.com



IMPORTANT

Read this manual carefully before assembling, using or servicing this stove. Keep this manual for future reference. If you have questions about assembly, operation, servicing or repair of this stove, please call Coleman at 1-800-835-3278 or TDD: 316-832-8707. In Canada call 1-800-387-6161.

For Outdoor Use Only



CSA 11.2-2000

Contents

General Safety Information
To Set-up
Leak Check
Water Pan
Operation
To Light
Cooking Tips
To Turn Off
Tear Down/Clean
Storage
Maintenance
Troubleshooting
Service
Things You Should Know
Replacement Parts List
Accessories
Warranty

FOR YOUR SAFETY

If you smell gas:

1. Do not attempt to light appliance.
2. Extinguish any open flame.
3. Disconnect from fuel supply.

FOR YOUR SAFETY

Do not store or use gasoline or other liquids with flammable vapors in the vicinity of this or any other appliance.




DANGER



• CARBON MONOXIDE HAZARD

- This appliance can produce carbon monoxide which has no odor.
- Using it in an enclosed space can kill you.
- Never use this appliance in an enclosed space such as a camper, tent, car or home.

General Safety Information

This manual contains important information about the assembly, operation and maintenance of this outdoor stove. General safety information is presented in these first few pages and is also located throughout the manual. Particular attention should be paid to information accompanied by the safety alert symbols: “ DANGER”, “ WARNING”, “ CAUTION”.

Keep this manual for future reference and to educate new users about this product. This manual should be read in conjunction with the labeling on the product.

Safety precautions are essential when any mechanical or propane-fueled equipment is involved. These precautions are necessary when using, storing, and servicing. Using this equipment with the respect and caution demanded will reduce the possibilities of personal injury or property damage.

The symbols shown below and on page 3 are used extensively throughout this manual. Always heed these precautions, as they are essential when using any mechanical or fueled equipment.

DANGER

DANGER indicates an imminently hazardous situation which, if not avoided, will result in death or serious injury.

WARNING

WARNING indicates a potentially hazardous situation which, if not avoided, could result in death or serious injury.

CAUTION

CAUTION indicates a potentially hazardous situation which, if not avoided, may result in minor or moderate personal injury, or property damage.

WARNING: For Outdoor Use Only

WARNING

Improper installation, adjustment, alteration, service or maintenance can cause injury or property damage. Read the Installation, Operation, & Maintenance Instructions thoroughly before installing or servicing this equipment.

DANGER

Failure to comply with the precautions and instructions provided with this outdoor stove can result in death, serious bodily injury and property loss or damage from hazards of fire, explosion, burn, asphyxiation, and/or carbon monoxide poisoning.

Only persons who can understand and follow the instructions should use or service this outdoor stove.

If you need assistance or outdoor stove information such as an instruction manual or labels, contact the Coleman Co., Inc.

DANGER



• EXPLOSION - FIRE HAZARD

- Never store propane near high heat, open flames, pilot lights, direct sunlight, other ignition sources or where temperatures exceed 120 degrees F (49°C).
- Propane is heavier than air and can accumulate in low places. If you smell gas, leave the area immediately.
- Never install or remove propane tank while outdoor stove is lighted, near flame, pilot lights, other ignition sources or while outdoor stove is hot to touch.
- During operation, this product can be a source of ignition. Never use the stove in spaces that contain or may contain volatile or airborne combustibles, or products such as gasoline, solvents, paint thinner, dust particles or unknown chemicals. Minimum clearances from combustible materials: one foot from the sides & four feet from the top.
- Provide adequate clearances around air openings into the combustion chamber.

WARNING

We cannot foresee every use which may be made of this cooking stove. **Check with your local fire safety authority if you have questions about use.**

Other standards govern the use of fuel gases and heat producing products for specific uses. Your local authorities can advise you about these.

- Never refill disposable cylinders.
- Use the preset regulator that came with the stove. Do not attempt to adjust.

DANGER



• CARBON MONOXIDE HAZARD

- This stove is a combustion appliance. All combustion appliances produce carbon monoxide (CO) during the combustion process. This product is designed to produce extremely minute, non-hazardous amounts of CO if used and maintained in accordance with all warnings and instructions. Do not block air flow into or out of the cook stove.
- Carbon Monoxide (CO) poisoning produces flu-like symptoms, watery eyes, headaches, dizziness, fatigue and possibly death. You can't see it and you can't smell it. It's an invisible killer. If these symptoms are present during operation of this product **get fresh air immediately!**
- **For outdoor use only.**
- **Never use inside house, or other unventilated or enclosed areas. This cook stove consumes air (oxygen). Do not use in unventilated or enclosed areas to avoid endangering your life.**

WARNING

- This product is fueled by propane gas. Propane gas is invisible, odorless, and flammable. An odorant is normally added to help detect leaks and can be described as a "rotten egg" smell. The odorant can fade over time so leaking gas is not always detectable by smell alone.
- Propane gas is heavier than air and leaking propane will sink to the lowest level possible. It can ignite by ignition sources including matches, lighters, sparks or open flames of any kind many feet away from the original leak. Use only propane gas set up for vapor withdraw.
- Propane gas should be stored and used in compliance with local ordinances and codes or with ANSI/NFPA 58. Turn off propane when not in use.

CALIFORNIA PROPOSITION 65:

WARNING: Propane and byproducts of combustion of propane contain chemicals known to the state of California to cause cancer, birth defects, or other reproductive harm.

WARNING



• BURN HAZARD

- Never leave the outdoor stove unattended when hot or in use.
- Keep out of reach of children.

CAUTION

• SERVICE SAFETY

- Keep all connections and fittings clean. Make sure propane tank valve outlet is clean.
- During set up, check all connections and fittings for leaks using soapy water. Never use a flame.
- Use as a cooking appliance only. Never alter in any way or use with any device or part not expressly approved by Coleman.

To Set Up

Step 1

■ Remove components from package:

- (1) Stand
- (2) Side tables
- (1) Stove
- (1) Lid
- (1) Waterpan
- (1) Regulator
- (1) Grill
- (1) Griddle

■ See replacement parts list for identification.



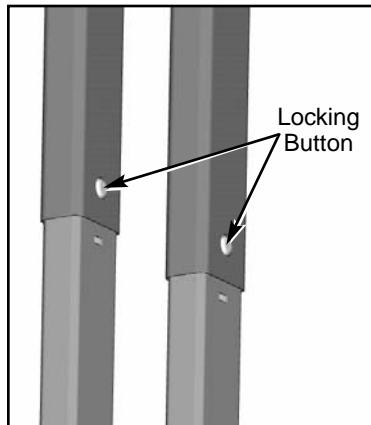
Step 2

■ Unfold the stand. Extend legs.



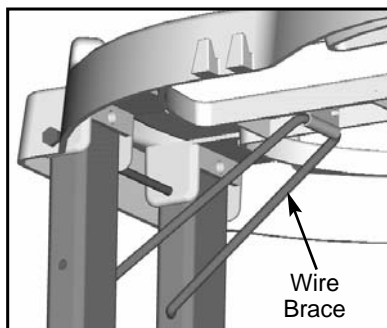
Step 3

■ Be sure that the locking button securely engages leg extension.



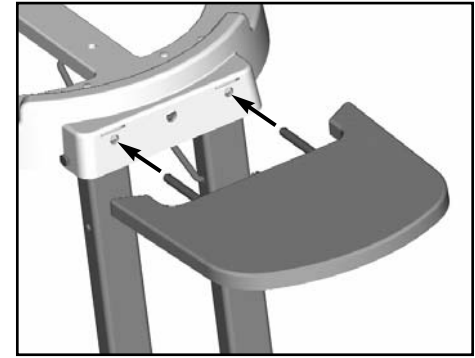
Step 4

■ Swing wire brace into position and insert ends of wire brace into holes in the leg.



Step 5

■ Insert side tables.

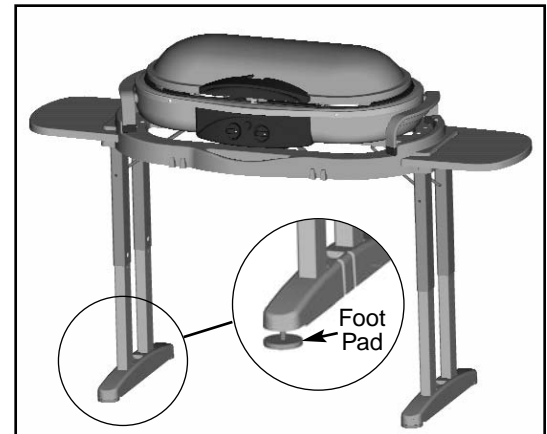


Step 6

■ Place the stand outdoors and set on sturdy, flat surface.

■ Adjust foot pad levels if grilling on uneven surface.

■ Place the stove onto the stand. The base of the stove is designed to snugly fit the stand.



Step 7

■ Make sure both burner valves are off.



Step 8

■ Remove plastic cap from top of propane cylinder. Save cap for use in storing. Screw propane cylinder into REGULATOR. Be careful not to cross-thread. HAND TIGHTEN only.



Leak Check

WARNING

- Perform leak test outdoors.
- Extinguish all open flames.
- NEVER leak test when smoking.
- Do not use the outdoor stove until connection has been leak tested and does not leak.

■ Check the connection between the cylinder and the regulator with soapy water. Bubbles indicate a leak. Check that the connection is not cross-threaded and that it is tight. Perform another leak check. If there is still a leak, remove the cylinder and contact Coleman for service or repairs.

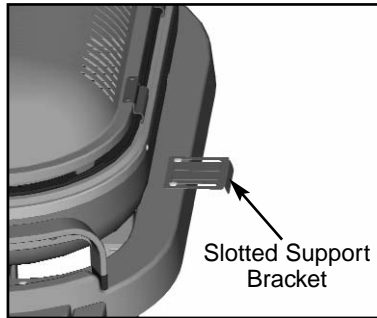


■ Insert the regulator pipe firmly. The regulator uses a push-on fitting to attach to the stove. It is necessary to hold the stove to make sure the fitting is seated. Align the regulator to the fuel tube on the rear of the stove and push on until you hear the retainer "click" in place. Gently pull on the regulator to ensure that the connection is secure.



■ If using the stove on a table-top, allow the base of the propane cylinder to rest on the surface of the table-top.

■ If using the stove with stand, a slotted support bracket is provided to support a propane cylinder. Extend the slotted support bracket into position.

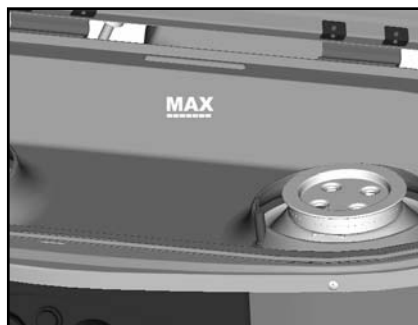


Fill Pan with Water

CAUTION

- Do not use the stove without the water pan in place.
- Coleman recommends water in the water pan when in use. This will help prevent a grease flare-up.

■ Cleanup will be improved if you fill WATER PAN to mark indicated (MAX).



Fill Pan with Water *cont.*

- Place the grill and griddle onto the stove.



Operation

DANGER



• CARBON MONOXIDE HAZARD

- For outdoor use only.
- Never use inside house, or other unventilated or enclosed areas. This outdoor stove consumes air (oxygen). Do not use in unventilated or enclosed areas to avoid endangering your life.

DANGER



• EXPLOSION - FIRE HAZARD

- Never store propane near high heat, open flames, pilot lights, direct sunlight, other ignition sources or where temperatures exceed 120°F (49°C).
- Propane is heavier than air and can accumulate in low places. If you smell gas, leave the area immediately.
- Never install or remove propane tank while outdoor stove is lighted, near flame, pilot lights, other ignition sources or while outdoor stove is hot to touch.
- This stove is red hot during use and can ignite flammables too close to the burner. Keep flammables at least 12" from sides and 48" from top. Keep gasoline and other flammable liquids and vapors well away from outdoor stove.
 - Disconnect propane tank from stove if the stove is to be stored indoors.

■ Do not attempt to operate until you have read and understood all General Safety Information in this manual and all assembly is complete and leak checks have been performed.

To Light

- Open the stove lid. Do not attempt to light the stove with lid closed.
- Open either BURNER VALVE and push igniter button several times until burner lights. (If the stove is wet the igniter may not spark.)



- The unit may be match lighted if there is no ignition. Hold lit match next to BURNER and open BURNER VALVE slowly.
- Left knob controls left burner.
- Right knob controls right burner.



- Adjust flame to desired heat level.



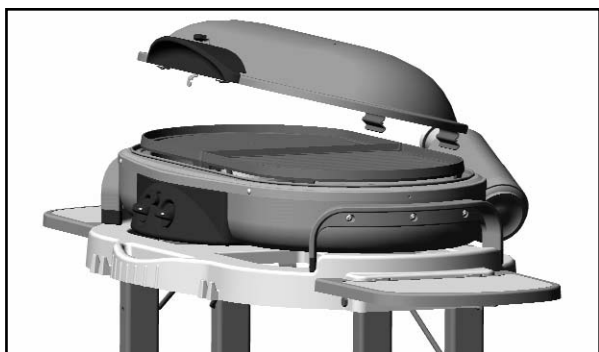
Cooking Tips

CAUTION

- Do not place a pot or a pan on the nonstick grill or griddle surfaces. Damage will occur and void the warranty.

- The grill and griddle have a nonstick coating. Use only non-metallic utensils to prolong the life of the nonstick coating.
- Use the flat griddle surface for eggs, thin pieces of meat, fish or vegetables.
- The grill surface is ideal for steaks, hamburgers or chicken.
- When grilling, always place food on grill before lighting the burner.

- Coleman recommends fresh water in the water pan when in use. Fresh water in the water pan will help food taste better and keep it from drying out.
- Use the optional chromed stove grate (sold separately) anytime you wish to place a pot on the stove.
- The lid is removable. Tilt forward and lift.



To Turn Off

- Push the burner valve knobs inward and close burner valves firmly.



Tear Down/Clean

- Be sure stove is cool.
- Always detach propane cylinder outdoors away from ignition sources.
- The fitting on the regulator has a sliding collar that secures the regulator to the stove fuel line. Slide the collar away from the stove and then pull the regulator off the stove fuel line.
- Detach propane cylinder from regulator and replace the plastic protective cap onto cylinder threads.



- Remove the grill and griddle. The grill and griddle are dishwasher-safe.



- Remove the water pan and discard the water and grease.
- Clean the water pan with warm water and mild household cleaner. Do not use abrasives.
- Wipe the stove clean with soft cloth and mild household cleaner. Do not use abrasives.
- Collapse & fold the legs on the stand.



Storage

- Disconnect regulator from cylinder.
- Store propane tank in safe manner. Refer to Chapter 5 of *Standard for Storage and Handling of Liquefied Gases*, ANSI/NFPA 58. Follow all local codes. Always store propane tanks outdoors.
- Store stove in a dry, clean and safe place.
- Place the cleaned water pan, grill, griddle and REGULATOR into the stove for storage.
- For long-time storage, clean and dry all stove parts and the stand before storing. Use a Coleman carry case and store indoors. This will keep the unit clean and ready for the next season.
- If a Coleman carry case is not available, you may place the stove in a plastic bag and tie it shut.

Maintenance

WARNING



• BURN HAZARD

- Do not touch or attempt any maintenance on stove for at least one hour after use.
- Make sure all controls are off and propane tank has been removed before doing maintenance.

To enjoy years of outstanding performance from your stove, perform the following maintenance activities on a regular basis:

- Keep exterior surfaces clean.
- Use warm soapy water for cleaning. Never use flammable or corrosive cleaning agents.

• Airflow must be unobstructed. Keep controls, burner and circulating air passages clean. Signs of possible blockage include:

- Gas odor
- Stove makes popping noises
- Smoky flame.
- Spiders and insects can nest in burner orifices. This condition can damage the stove and render it unsafe for use. Clean burner holes by using a heavy-duty pipe cleaner. Compressed air may help clear away small particles.
- Carbon deposits may create a fire hazard. Clean burner with warm soapy water if any carbon deposits develop.
- If the stove has been left uncovered and is wet from rain, snow, yard sprinklers, etc., allow to dry (at least 30 minutes prior to use).
- NOTE: In a salt-air environment (such as near an ocean), corrosion occurs more quickly than normal. Frequently check for corroded areas and repair them promptly.

Troubleshooting

Problem	Possible Cause	Solution
Burner won't light	Gas pressure is low.	Cylinder is empty. Replace cylinder
	Air in gas line.	Burner may take up to one minute to light after a propane bottle has been connected.
	Igniter is wet.	Light the stove with a match.
Burner won't stay lit	Dust and/or dirt built up around burner	Clean dirt and/or dust from around burner
Burner flame is low	Gas pressure is low	Replace cylinder.
	Outdoor temperature is less than 40°F and tank is less than 1/4 full.	Use a full cylinder.
	Fuel flow is restricted.	Check burner and orifices for blockage. Adjust control knob to full ON position.
Improper Flame (Flame should be blue with hint of yellow on tips)	Fuel flow is restricted.	Check burner, orifices and venturi for blockage (bugs, dirt, cobwebs).

Service

- Repair to gas passages and associated components should be done only by Coleman or an authorized service person.
- Owner repair and service should be limited and performed only to the the following:
 - Cleaning
 - Cylinder replacement

Things you should know

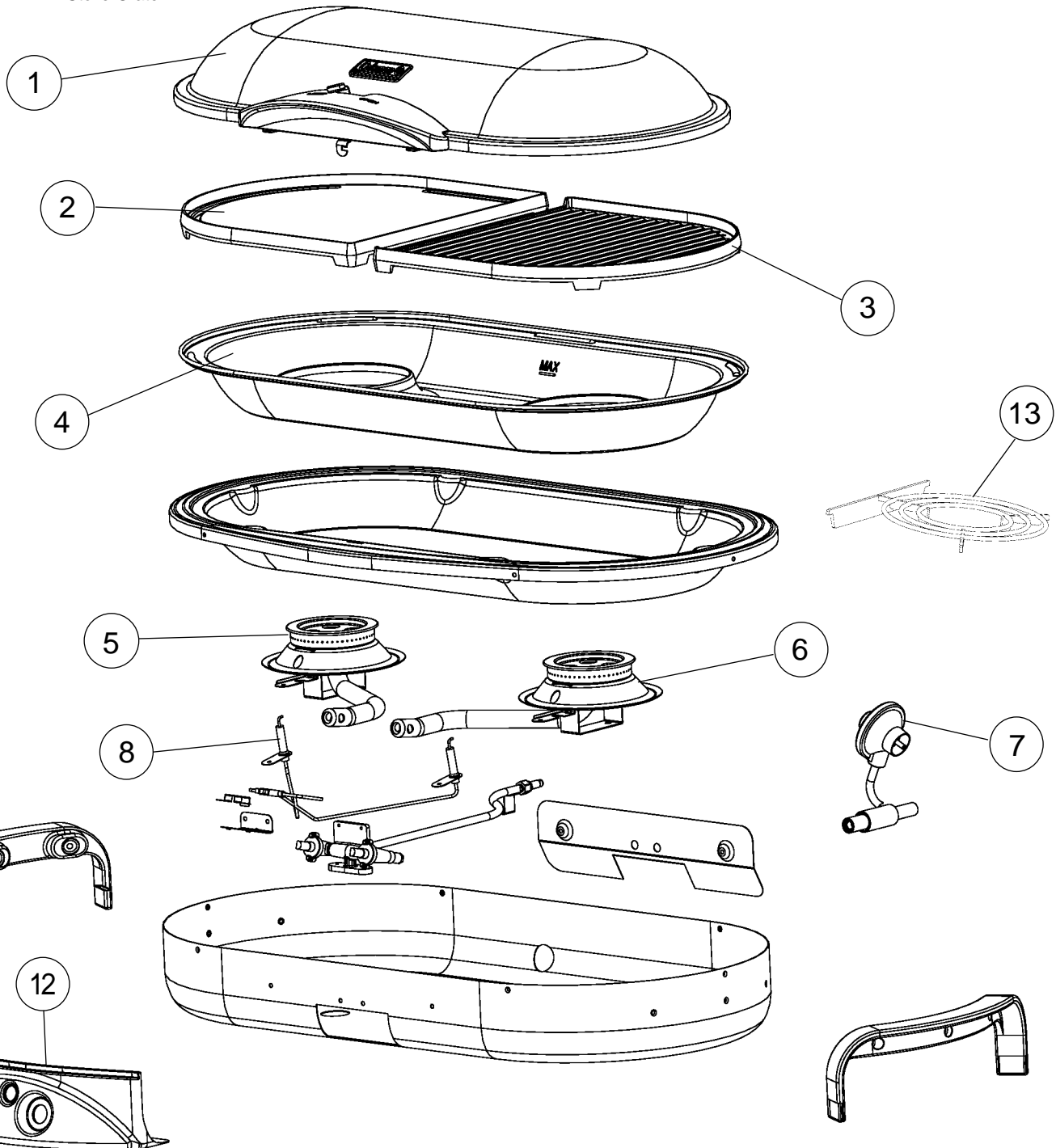
1. It is unsafe and illegal in some places to store or use propane cylinders of greater than 1.14 kg (2.5 lbs) water capacity (approximately 1 lb. propane) in occupied enclosures.
2. If using refillable propane cylinder, use only Coleman parts and accessories.
3. The usual storage areas for camping and picnic equipment are the basement, attic, or garage. To avoid the accumulation of dust, cobwebs, etc., that is common in these areas, place your stove in a plastic bag and seal it with a rubber band.
4. For repair service call one of the numbers listed below for location of your nearest Coleman Service Center. If product must be mailed to Service Center, attach to product your name, address and a description of problem and mail to Service center with shipping and **insurance** prepaid. If necessary to write the Service Center or factory, refer to your stove by model number. **Do not send propane cylinder.**
5. If not completely satisfied with the performance of this product, please call one of the numbers listed on the cover of this manual.

Replacement Parts 9941-700 Stove

Parts List

No. Part No. Description

1	9941-5021	Lid and Handle Assembly (Black)
	9941-5071	Lid and Handle Assembly (Stainless Steel)
	9941-5081	Lid and Handle Assembly (Blue)
2	9941A3171	Griddle, Nonstick Cast Aluminum
3	9941A3151	Grill, Nonstick Cast Aluminum
4	9941-3311	Water Pan
5	9941-5471	Burner Assembly – left
6	9941-5461	Burner Assembly – right
7	9942-5251	Regulator Assembly
8	9942-5851	Igniter/Electrode
9	9942-3811	Side Handle Assembly w/boots and screws
10	9942-1381	Igniter Button Cover
11	9942-1491	Control Knob (package of two)
12	9941-1711	Fascia Kit (includes igniter button cover)
13	9941-3191	Stove Grate

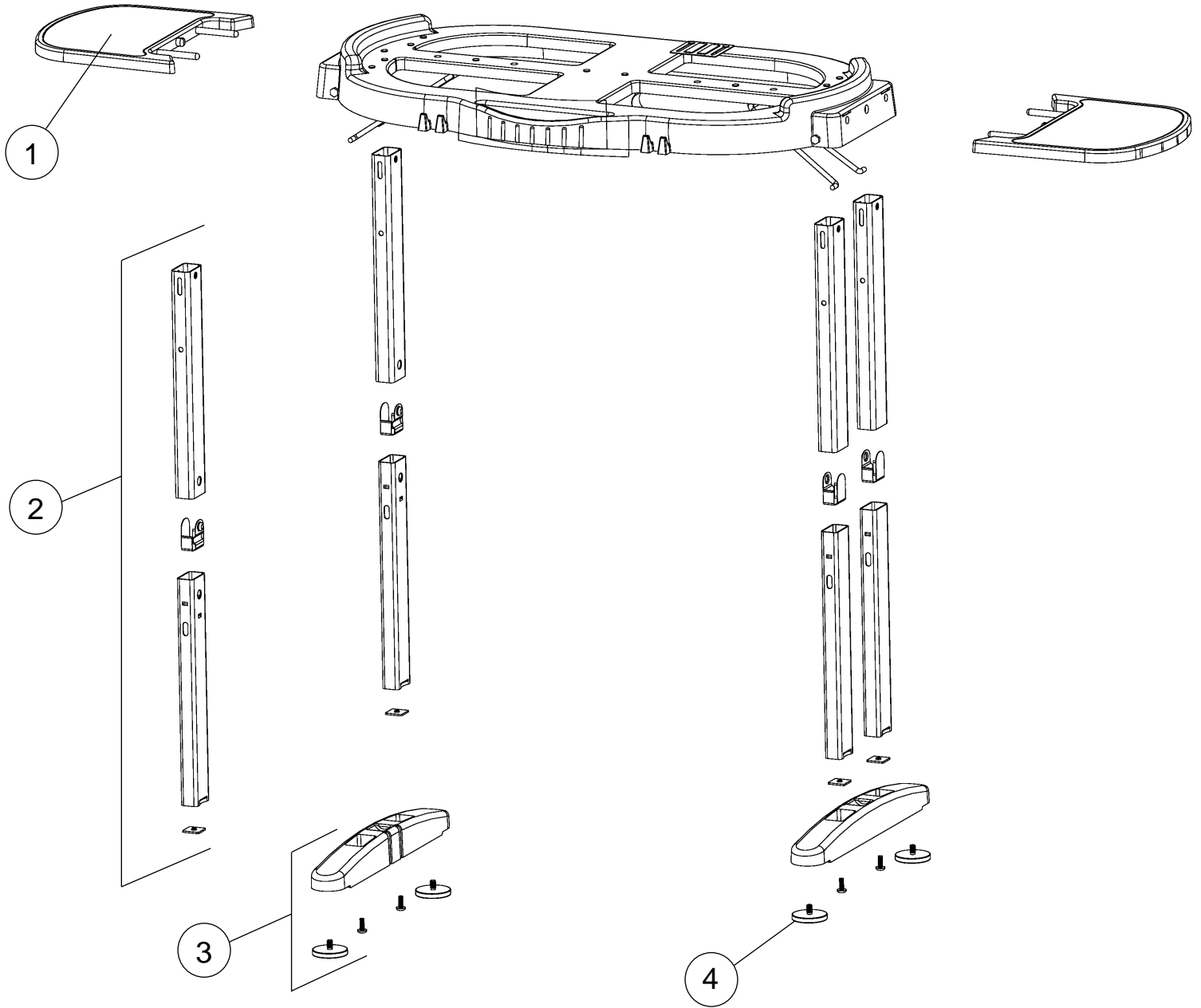


Replacement Parts 9941-700 Stove Stand

Parts List

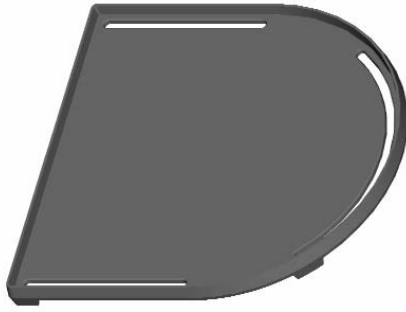
No. Part No. Description

1	9941-5631	Side Table Assembly
2	9941-5611	Leg Assembly
3	9941-5601	Foot Assembly
4	9941-1881	Foot Pad

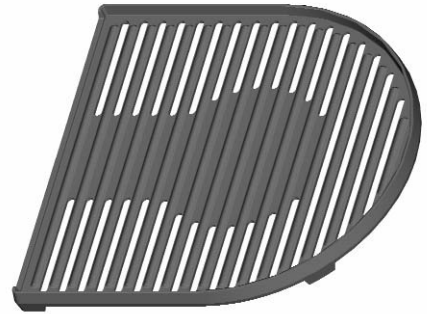


Accessories

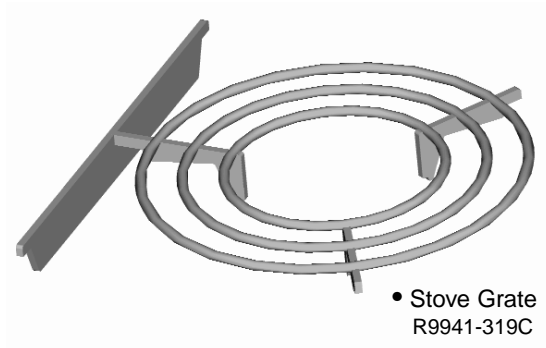
The following accessories are available:



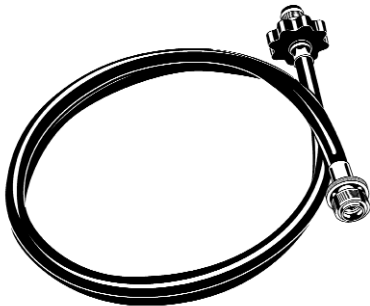
- Griddle – Nonstick Cast Aluminum
R9941A317C



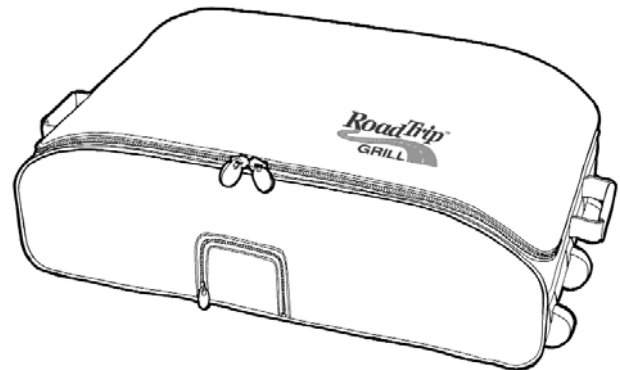
- Grill – Nonstick Cast Aluminum
R9941A315C



- Stove Grate
R9941-319C



- 5 ft. High Pressure Hose &
Adapter (connects appliance to
refillable propane cylinder)
5470-7931



- Carry Case (soft)
R9941-100C

Coleman Limited Lifetime Warranty

The Coleman Company, Inc. ("Coleman") warrants that for the period that you own this product, it will be free from defects in material and workmanship. Coleman, at its option, will repair or replace this product or any component of the product found to be defective during the warranty period. Replacement will be made with a new or remanufactured product or component. If the product is no longer available, replacement may be made with a similar product of equal or greater value. This is your exclusive warranty.

This warranty is valid for the original retail purchaser from the date of initial retail purchase and is not transferable. Keep the original sales receipt. Proof of purchase is required to obtain warranty performance. Coleman dealers, service centers, or retail stores selling Coleman products do not have the right to alter, modify or in any way change the terms and conditions of this warranty.

This warranty does not cover normal wear of parts or damage resulting from any of the following: negligent use or misuse of the product, use on improper voltage or current, use contrary to the operating instructions, disassembly, repair or alteration by anyone other than Coleman or an authorized service center. Further, the warranty does not cover Acts of God, such as fire, flood, hurricanes and tornadoes.

Coleman shall not be liable for any incidental or consequential damages caused by the breach of any express or implied warranty or conditions. Except to the extent prohibited by applicable law, any implied warranty of merchantability or fitness for a particular purpose is limited in duration to the duration of the above warranty or conditions. Some states, provinces or jurisdictions do not allow the exclusion or limitation of incidental or consequential damages or limitations on how long an implied warranty lasts, so the above limitations or exclusion may not apply to you. This warranty gives you specific legal rights, and you may also have other rights that vary from state to state or province to province.

HOW TO OBTAIN WARRANTY SERVICE

Take the product to an authorized Coleman service center. You can find the nearest authorized Coleman service center by calling 1-800-835-3278 or TDD 316-832-8707 in the United States or 1-800-387-6161 in Canada. If a service center is not conveniently located, attach to the product a tag that includes your name, address, daytime telephone number and description of the problem. Include a copy of the original sales receipt. Carefully package the product and send either by UPS or Parcel Post **insured** with shipping and **insurance** prepaid to:

For products purchased in the United States:
The Coleman Company, Inc.
3600 North Hydraulic
Wichita, KS 67219

For products purchased in Canada:
The Coleman Company, Inc.
c/o Sunbeam Canada
5975 Falbourne Street
Mississauga, Canada L5R 3V8

Do not mail products with fuel in tanks, or with disposable propane cylinders.

DO NOT RETURN THIS PRODUCT TO THE PLACE OF PURCHASE.

If you have any questions regarding this warranty please call 1-800-835-3278 or TDD 316-832-8707 in the United States or 1-800-387-6161 in Canada.

The Coleman Co., Inc.
3600 N. Hydraulic
Wichita, KS 67219 U.S.A.
1-800-835-3278
TDD: 316-832-8707
www.coleman.com





The Coleman Co., Inc. • 3600 N. Hydraulic • Wichita, KS 67219 U.S.A.
1-800-835-3278 • TDD: 316-832-8707

©2001 The Coleman Company, Inc. All rights reserved.
Coleman® is a registered trademark of The Coleman Company, Inc.