



Gas Barbecue

Use, Care & Assembly Manual

With Grill Lighting Instructions

Model 9955 Series (LP Gas)

ASSEMBLER/INSTALLER:
Leave these instructions with the consumer.

CONSUMER/USER:
Read all instructions and keep in a safe place for future reference.



www.coleman.com

NOTE:
Propane cylinder is not included.

IMPORTANT

Read this manual carefully before assembling, using or servicing this grill. Keep this manual for future reference. If you have questions about assembly, operation, servicing or repair of this grill, please call Coleman at 1-800-835-3278 or TDD: 1-316-832-8707. In Canada call 1-800-387-6161.

For Outdoor Use Only

Contents

Contents.....	1
Technical Characteristics	1
General Safety Information.....	1
General Installation.....	2
Portable L.P. Gas Barbecue Cylinders	2
Grill Features	3
Assemble Grill	4
Installing 1 lb. Propane Cylinder.....	5
Burner and Orifice	5
Leak Testing - Disposable LP Gas Cylinders	6
How to Check for Leaks.....	6
Fixing A Fuel Leak	6
Start-Up Check List.....	6
Lighting Instructions	7
Lighting The Burner	7
Shutting Off the Grill.....	8
General Use and Correct Burner Flames	8
Grilling Tips and Hints	8
In Case of Grease Fire.....	9
Cooking Methods.....	9
Care, Maintenance and Cleaning	9
Cleaning the Venturi	10
Moving and Storage	11
Troubleshooting.....	11
Replacement Parts List — 9955 Series.....	14
Warranty	15

Technical Characteristics

Input Rating: 1 burner tube @ 11,000 BTU/H
Category: Pressure regulated propane
Fuel: 16.4 oz. disposable propane cylinders
Regulator: 9955 must be used

General Safety Information

This manual contains important information about the assembly, operation and maintenance of this outdoor propane appliance. General safety information is presented on this page and is also located throughout these instructions. Particular attention should be paid to information accompanied by the safety alert symbol: “**⚠ DANGER**”, “**⚠ WARNING**”, “**⚠ CAUTION**”.

Keep this manual for future reference and to educate new users of this product. This manual should be read in conjunction with the labeling on the product.

Safety precautions are essential when any mechanical or propane fueled equipment is involved. These precautions are necessary when using, storing, and servicing. Using this equipment with the respect and caution demanded will reduce the possibilities of personal injury or property damage.

The following symbols shown below are used extensively throughout these instructions. Always heed these precautions, as they are essential when using any mechanical or propane fueled equipment.

⚠ DANGER

DANGER indicates an imminently hazardous situation which, if not avoided, will result in death or serious injury.

⚠ WARNING

WARNING indicates a potentially hazardous situation which, if not avoided, could result in death or serious injury.

⚠ CAUTION

CAUTION indicates a potentially hazardous situation which, if not avoided, may result in minor or moderate personal injury, or property damage.

⚠ DANGER

If you smell gas:

- 1. Shut off gas to the appliance.**
- 2. Extinguish any open flame.**
- 3. Open lid.**
- 4. If odor continues, keep away from the appliance and immediately call your gas supplier or your fire department.**

⚠ WARNING

- 1. Do not store or use gasoline or other flammable liquids or vapors in the vicinity of this or any other appliance.**
- 2. An LP cylinder not connected for use shall not be stored in the vicinity of this or any other appliance.**

CALIFORNIA PROPOSITION 65:

WARNING: This fuel, and by products of combustion of this fuel, contain chemicals known to the state of California to cause cancer, birth defects, or other reproductive harm.

⚠ DANGER

- **FOR OUTDOOR USE ONLY. NEVER** operate grill in enclosed areas, as this could lead to gas accumulating from a leak, causing an explosion or a carbon monoxide buildup which could result in injury or death. **DO NOT** use in garages, breezeways, sheds or any enclosed area.
- **NOT FOR USE BY CHILDREN.**
- If these instructions are ignored, a hazardous fire or explosion could result in physical injury, death or property damage!

⚠ WARNING

- **DO NOT** move grill while it is lit.
- Keep outdoor cooking gas appliance area clear and free from combustible materials, gasoline and other flammable vapors and liquids.

⚠ WARNING

- NEVER use charcoal briquettes or lighter fluid in a gas grill.
- Grill is hot when in use; to avoid burns, DO NOT touch any hot grill surface. Keep children and pets away from hot grill.
- NEVER leave the grill unattended while it is in use.
- It is your responsibility to assemble, install, operate and care for your gas grill properly.
- DO NOT use gas grill indoors.
- Under some circumstances, propane may lose the distinctive odor that was added. Other strong odors may hide or mask the odor of propane. Colds, allergies, sinus congestion, and the use of tobacco, alcohol or drugs may impair your ability to detect the odor of propane.

General Installation

- Installation must conform with local codes or, in the absence of local codes, with either the National Fuel Gas Code, ANSI Z223.1/NFPA 54, Natural Gas and Propane Installation Code, CSA B149.1, or Propane Storage and Handling Code, CSA B149.2, as applicable.
- To check local codes, see your local L.P. gas dealer or natural gas company listed in the Yellow Pages for recommended installation procedures and regulations.

⚠ WARNING

This appliance is not to be installed in or on a recreational vehicle and/or boat.

Follow these safety rules before each use:

1. A minimum clearance of 24 inches from the left, right and back sides of the grill must be maintained between the grill and any combustible construction such as wood siding of a building.
2. Never locate the grill under an unprotected combustible material or overhang.
3. Do not obstruct the flow of combustion and ventilation air.
4. The grill should be level and not facing directly into the wind.

⚠ WARNING

A liquid propane tank, not connected for use with this gas barbecue, shall not be stored in the vicinity of this or any other appliance.

Connections must comply with local requirements and are the sole responsibility of the person performing the work.

⚠ WARNING

- **DO NOT attempt to adjust the regulator as this could create a situation causing personal injury or property damage.**

Portable L.P. Gas Barbecue Cylinders

Liquefied Petroleum gas (abbreviated L.P. gas or propane), is highly flammable. It becomes liquid when stored under high pressure inside a cylinder and vaporizes when released. L.P. gas is heavier than air and tends to collect in low areas. It is important that there are no leaking connections on your gas grill that could cause a fire or explosion (see the section titled "LEAK TESTING").

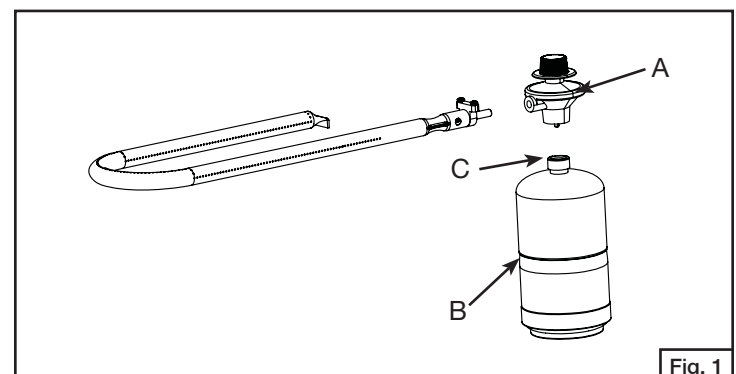
Portable LP gas grills require a fuel delivery system which is comprised of an adjustable regulator [A] and an L.P. gas supply cylinder [B]. (Fig. 1) Illustration in Fig. 1 is for description purposes only.

Cylinder Specifications

- All L.P. gas cylinders used with this appliance shall be constructed and marked in accordance with the Specifications for L.P. Gas Cylinders of the U. S. Department of Transportation (DOT) or the National Standard of Canada, CAN/CSA-B339, Cylinders, Spheres and Tubes for Transportation of Dangerous Goods; and Commission, as applicable; and a cylinder connection device compatible with the connection for outdoor cooking appliances.
- Read labels on the L.P. Gas Supply Cylinder.

⚠ WARNING

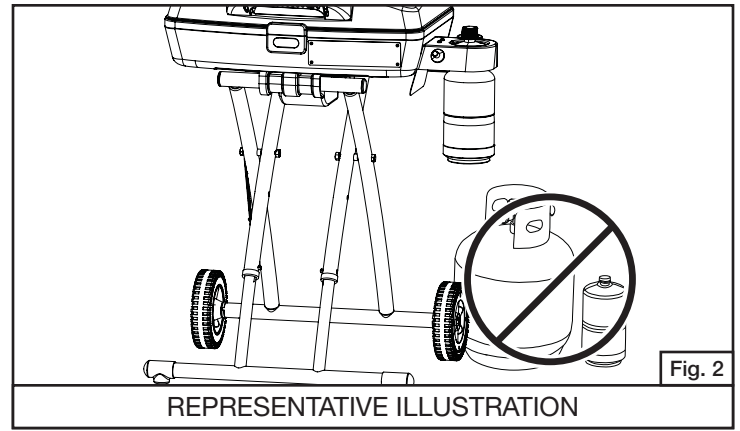
Your new barbecue grill is equipped with a CGA # 600 regulator [A]. DO NOT attempt to connect this regulator to any other disposable L.P. cylinder not equipped with a mating CGA # 600 fitting [C]. This grill may only be used with the pressure regulator supplied with this unit, or pressure regulators specified by Coleman for use with this unit. Replacement regulators must only be those specified by Coleman. (Fig. 1)



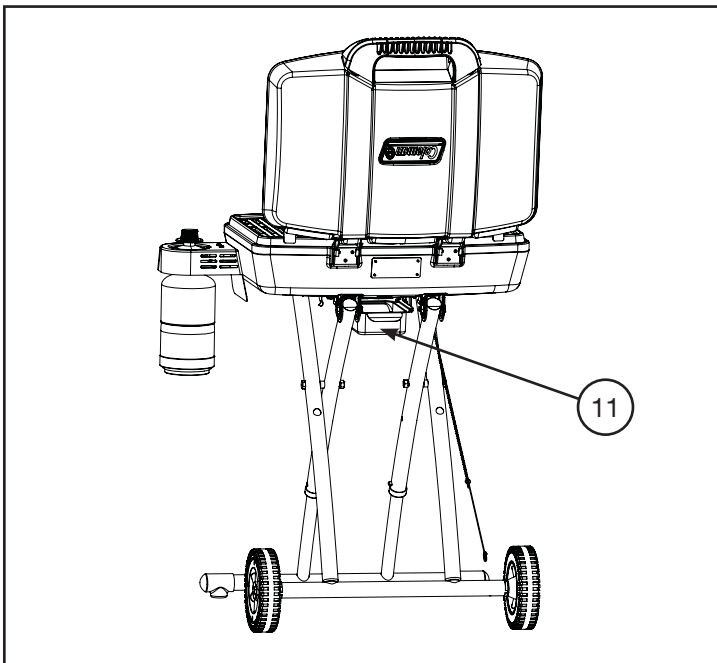
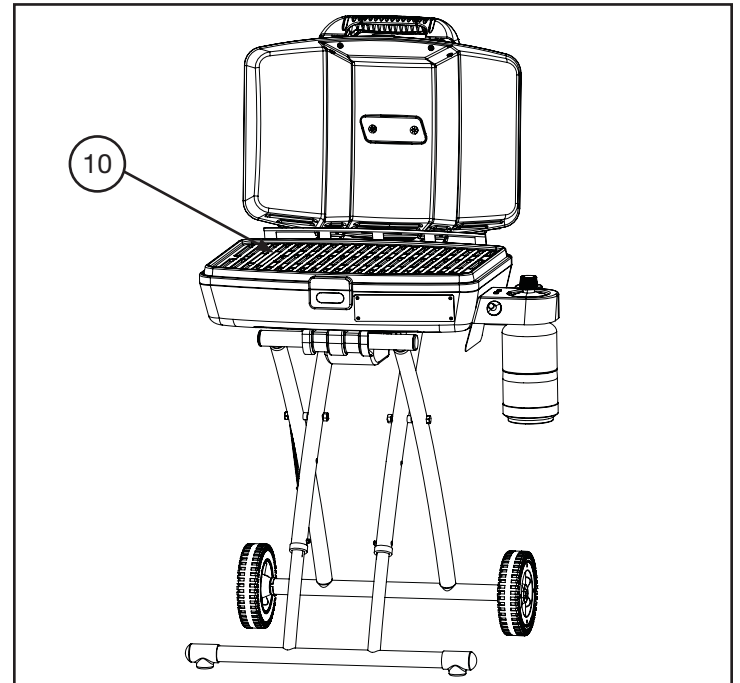
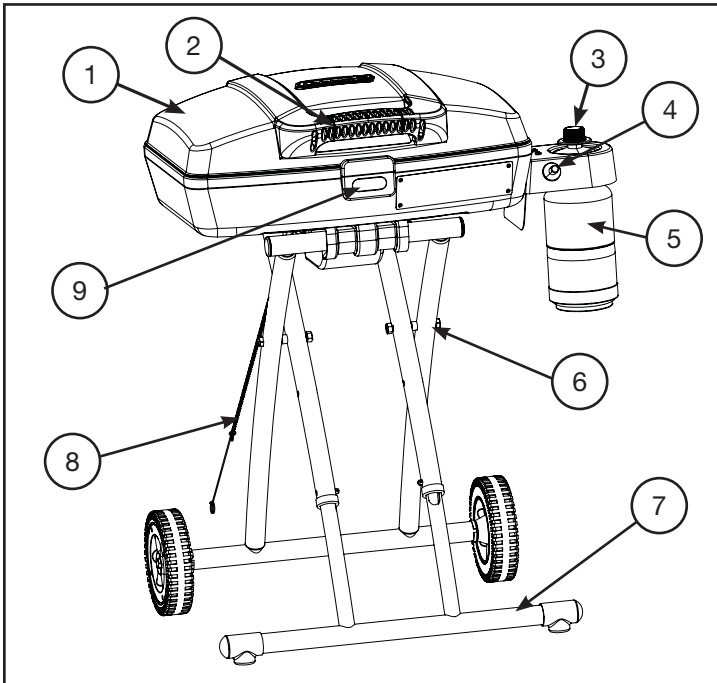
⚠ DANGER

- NEVER store a spare L.P. gas supply cylinder under the grill body or in the vicinity of any heat producing appliance. (Fig. 2)

Failure to follow this information exactly could result in an explosion and/or fire causing death or serious injury.



Grill Features



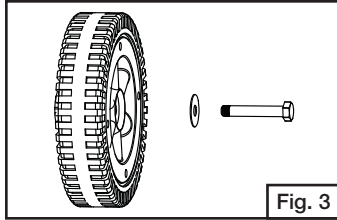
1. Grill Lid
2. Lid Handle
3. Regulator w/ Control Knob
4. Electronic Igniter
5. Disposable Cylinder (Not Included)
6. Legs w/ Wheels
7. Towing Handle
8. Match Extension (Store on leg)
9. Lid Release Latch
10. Grilling/Cooking Surface
11. Drip Tray

Assemble Grill

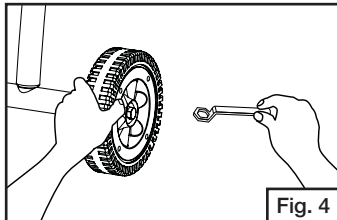
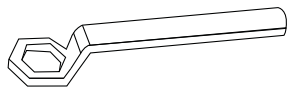
IMPORTANT: Remove all packing material prior to assembly/use.

Assemble Wheels and Towing Handle

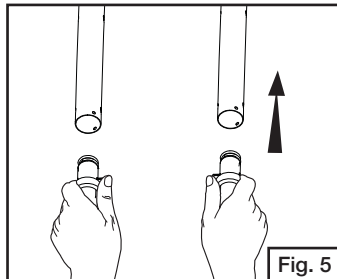
- Remove grill, wheels, legs and handle from packaging.
- Inspect all packing and remove all parts.
- See carton for parts included with your unit.
- Assemble wheels to grill base. Attach each wheel to axle using one bolt and one washer. (Fig. 3, Fig. 4)



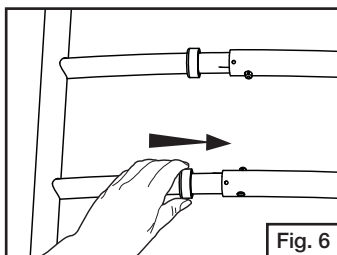
NOTE: Wrench not provided.



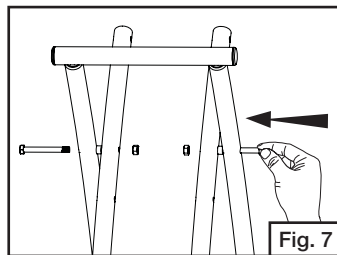
- Telescope the extending tubes to the towing handle. Press buttons on towing handle and push in until they lock into place. (Fig. 5)



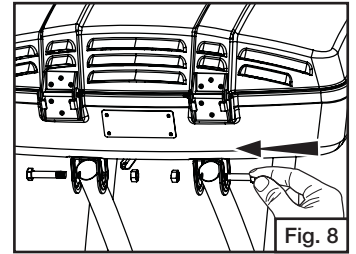
- Cap the ends of the extending tubes with provided bushings. (Fig. 6)



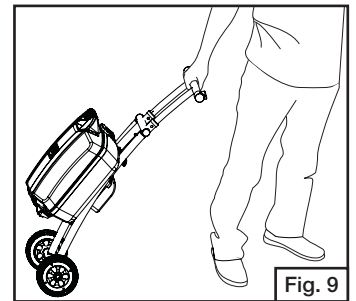
- Interlock the towing handle and the grill stand with pivot bolts, spacers and nuts. (Fig. 7)



- Attach ends of towing handle to grill with pivot bolts & nuts. (Fig. 8)

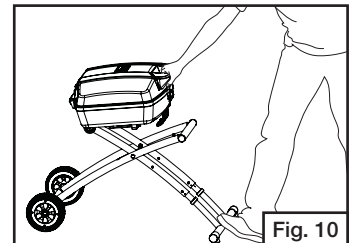


- Once handle is locked in position, the grill can easily be moved to any location in your campsite or backyard. (Fig. 9)

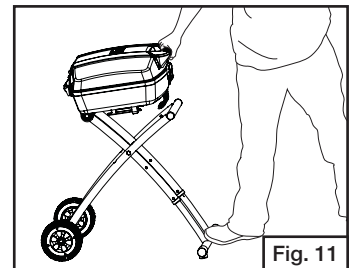


Set up the Grill

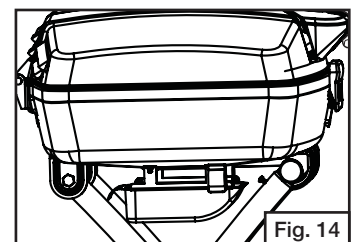
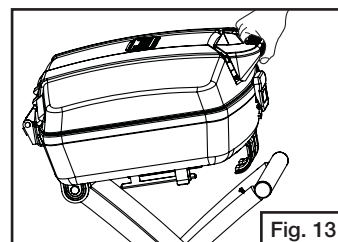
- Place foot on towing handle, grasp lid handle and lift until stand is fully extended. (Fig. 10)



- Continue to pull lid handle toward you until stand is fully extended. (Fig. 11)

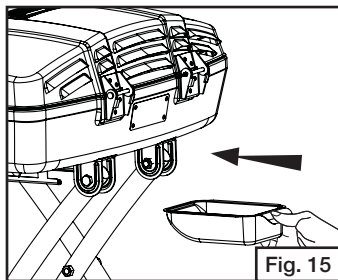


- Lower grill and slide grill back until leg extensions lock into brackets on bottom of grill stand. (Fig. 12, Fig. 13, Fig. 14)



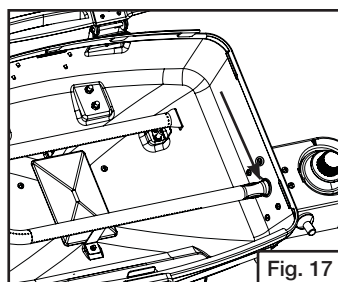
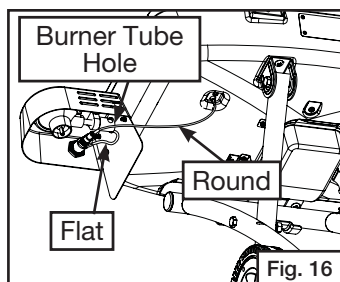
Install the Drip Tray

- Install drip tray below rear of grill. (Fig. 15)



Install the Electrode and Ground Wires

- Plug the round electrical connector to the round jack at the end of the electrical igniter, and insert the flat one through the burner tube hole, then screwed with screw. (Fig. 16 and Fig. 17)



Installing 1 lb. Propane Cylinder

NOTE: Your 9955 Series grill is set up from the factory to use a 1 lb. disposable propane cylinder.

⚠ WARNING

Only cylinders marked "Propane" must be used.

⚠ WARNING

This procedure **MUST** be performed **OUTDOORS** only!
Read and follow the directions on the cylinder.

⚠ DANGER

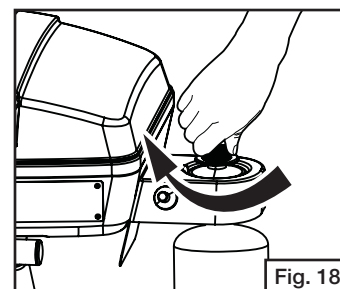
- NEVER store a spare L.P. gas supply cylinder under the grill body or inside the grill enclosure or in the vicinity of any heat producing appliance.

Failure to follow this information exactly could result in an explosion and/or fire causing death or serious injury.

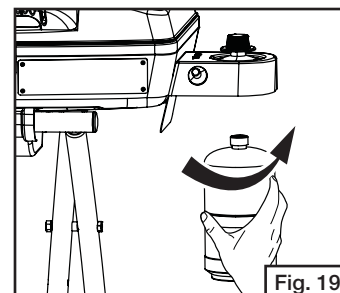
⚠ CAUTION

Tighten by hand only. DO NOT use tools.

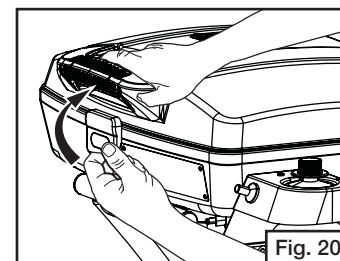
- Before attaching propane cylinder make sure burner knob is in the OFF position. (Fig. 18)



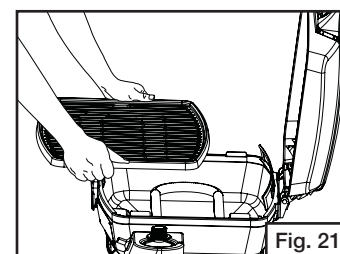
- Remove plastic cap from top of propane cylinder and screw cylinder into regulator hand tight. (Fig. 19)



- To open lid, unlatch handle cover and lift up. (Fig. 20)

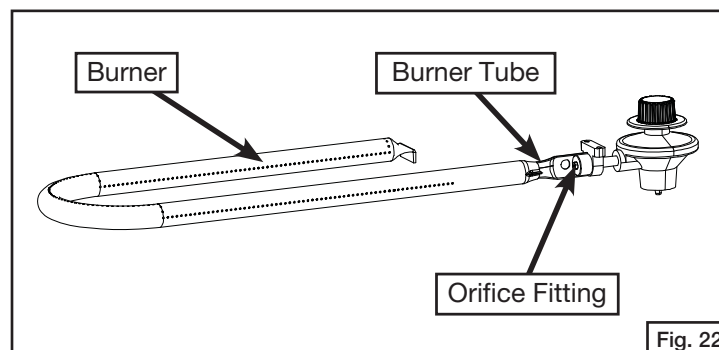


- Place grill grate over the burner. (Fig. 21)



Burner and Orifice

- Proper location of the burner with respect to the orifice is important. To verify the proper installation of the burner tube, view under the regulator assembly cover. The burner tube must be located over the orifice fitting. See Fig. 22 (grill top not shown).



- Check and clean the burner/venturi tubes for insects and insect nests. A clogged tube can lead to a fire beneath the appliance.

Leak Testing - Disposable LP Gas Cylinders

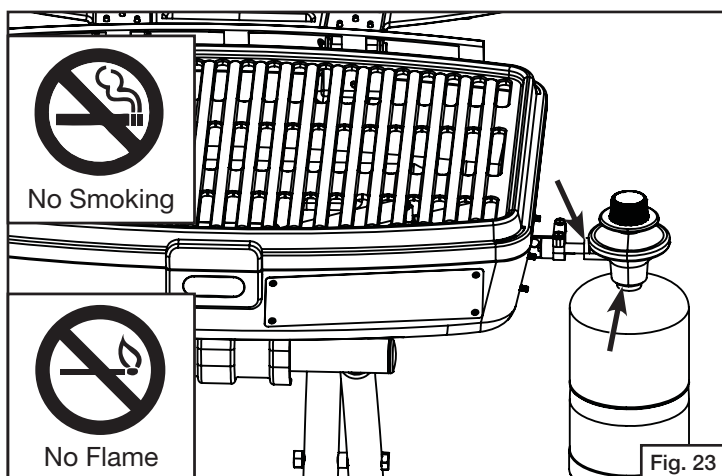
⚠ DANGER

To Prevent Fire or Explosion Hazard:

- NO SMOKING. DO NOT use or permit sources of ignition in the area while doing a leak test.
- Perform leak tests outdoors only.
- NEVER perform a leak test with fire or flame.

How to Check for Leaks

1. Make a soapy solution of equal parts mild liquid dishwashing detergent and water.
2. Turn off the burner control knob.
3. Apply a soap solution to the connections indicated with the arrows. (Fig. 23) If bubbles appear at these areas, a leak is indicated.



Fixing A Fuel Leak

If you detect a leak:

1. Stop a leak by tightening the loose joint, or by replacing the faulty part with a replacement part recommended by Coleman. DO NOT attempt to repair the cylinder if it should become damaged; the cylinder MUST be replaced.
2. If you are unable to stop a leak, remove the cylinder from the grill. DO NOT use the grill until the leak is corrected.

When to test for leaks:

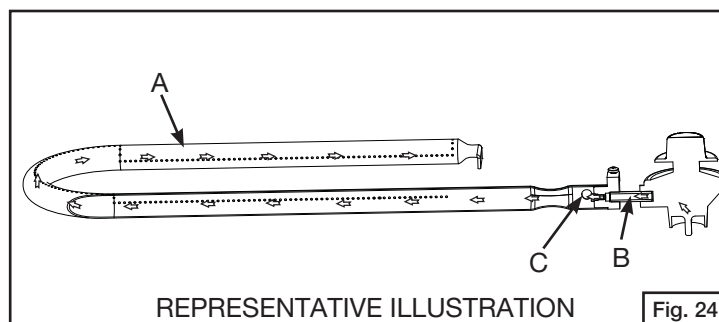
1. Perform a leak test each time the gas supply cylinder is connected to the regulator. Leak test anytime a part of the gas system is replaced.

Start-Up Check List

⚠ WARNING

Failure to follow these safety steps before using the grill each time could result in a fire that could be hazardous to you, your appliance or property. It is especially important to observe these steps after the grill has been stored, moved or cleaned.

1. Regularly check the burner venturi tube for blockage from an insect nest. Read "Cleaning the Venturi" in the section titled "Care, Maintenance, and Cleaning", and also the section titled "Troubleshooting".
2. Check that the burner tube [A] is set over the regulator outlet [B] correctly. The orifice [C] must be inside the venturi. (Fig. 24)
3. Use only the gas specified.
4. Keep the grill on a level surface.
5. Keep the grease pan empty at start up.



⚠ CAUTION

DO NOT add charcoal or lighting fluid!

Lighting Instructions

⚠ WARNING

THE FOLLOWING RULES MUST ALWAYS BE FOLLOWED IN THIS ORDER (FIG. 25):

1. OPEN THE GRILL LID! Any attempt to light the grill with the lid down could cause an explosion.
2. Check that the burner control knob is turned to "OFF".
3. DO NOT stand with your head or arms over the grill.



Fig. 25

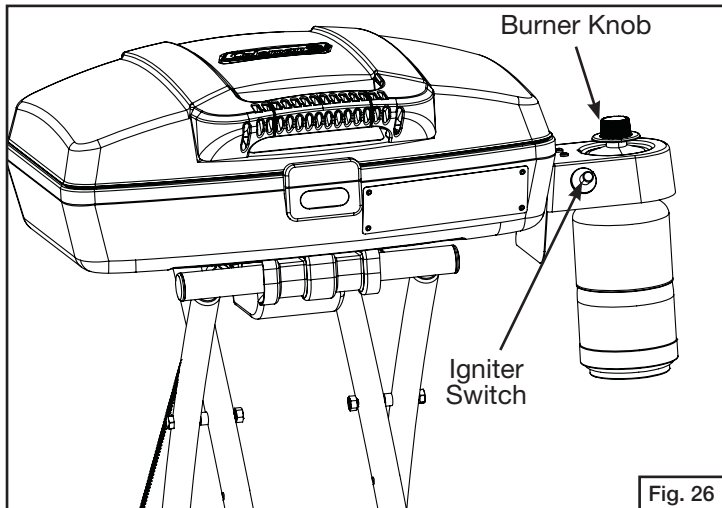


Fig. 26

Lighting The Burner

INSTASTART™ Electronic Ignition

1. Open regulator valve and push igniter button repeatedly until burner lights.
Note: If igniter fails to light grill, use match to light burner. See match light instructions. If the grill is wet, the igniter may not spark.
2. Adjust flame with regulator valve. (Fig. 26 and Fig. 27)

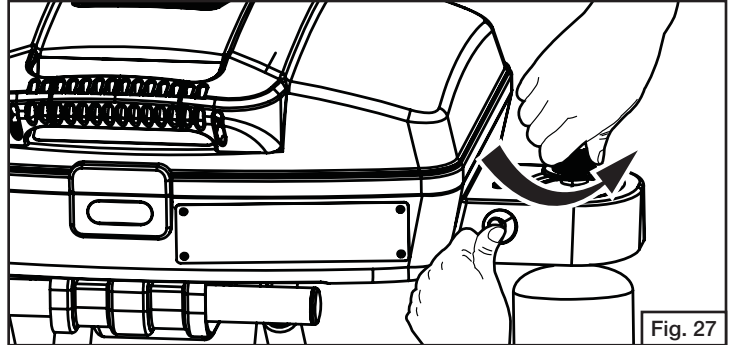


Fig. 27

Match Lighting

1. Strike and place the burning long wooden match (or use the match extension or a butane lighter with extension) through the spaces in the grill grate near the ports of the burner.
2. Push and turn the control knob counterclockwise to the "HIGH" position. (Fig. 28)

⚠ CAUTION

Use a LONG wooden match or a butane lighter with an extension. If a long-reach match or lighter is not accessible, use the match extension. Insert a match in the holder end of the extension, strike and place the burning match near the BURNER being operated.

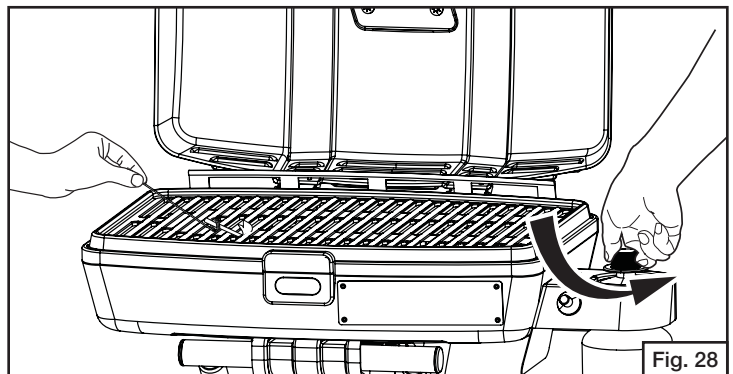


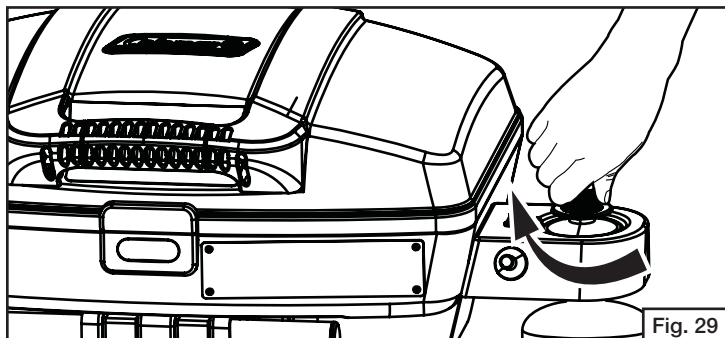
Fig. 28

Shutting Off the Grill

⚠ CAUTION

DO NOT touch hot grill parts with your bare hands!
You MUST use protective gloves.

- Turn the burner control knob to off. (Fig. 29)



⚠ CAUTION

Be certain the disposable cylinder is disconnected when the grill is not in use.

General Use and Correct Burner Flames

⚠ WARNING

- Keep the grill area clean and free from combustible materials, gasoline and other flammable vapors, liquids, and spare L.P. cylinders.
- DO NOT obstruct the flow of combustion and ventilation air.
- Keep the ventilation opening(s) of the L.P. cylinder enclosure free and clear of debris.
- A barbecue grill becomes hot during use. DO NOT touch grate.
- Be sure to tighten all hardware (screws, nuts, bolts, etc.) at least once a year or before each grilling season.

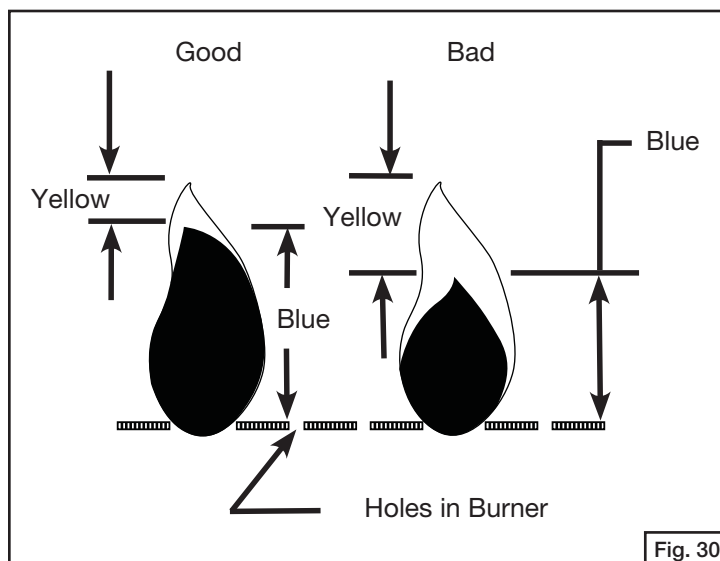
Condition The Grill

- Before using the grill for the first time, or after storage, operate the grill 15 minutes on the high setting with the lid closed, to burn away oil.
- Once the oil has burned away, check the burner flame per the next step.

The Burner Flame

- Open the grill lid. The cooking grate should be in place.
- Keep your arms and face away from being directly above the cooking area. Look through the cooking grate and observe the burner's flame below.
- Flames should appear similar to the good flame shown in Fig. 30 and as follows:
- A good flame should be blue with a yellow tip.
- Some yellow tips on flames up to 1 inch in length are acceptable as long as no carbon or soot deposits appear.

- If flames are excessively yellow and irregular, the oil residue may not be completely burned off, or the venturi may be clogged or may not be properly positioned over the orifices. Allow the grill to cool before repositioning the venturi over the valve and orifices.
- Grills that have been in use for a while sometimes begin to show more yellow flame. A build-up of food deposits, fats or cooking seasonings can cause yellowing flames. Clean the burner to remove residue and check for clogged burner holes or a blocked venturi. Refer to the section titled "Cleaning the Venturi".
- Regular use of your grill will actually help keep it operating more smoothly.
- Each grill may heat differently. Some units will heat somewhat more to the center and back of the grill. The flavor of grilled food will improve the more you use the grill and as you become familiar with it.



Grilling Tips and Hints

Burner Control Setting Tips

- The high flame setting is too hot for direct cooking. The high flame setting is good for quick searing of meat, then finish cooking on medium or low flame settings.
- Use the high flame setting with the lid closed to preheat the grill for 5 minutes before cooking and with the lid closed for a maximum of 5 minutes after cooking to burn off grease drippings.
- Use a medium flame setting for direct cooking of steaks, pork chops, chicken and hamburgers.
- Use a low flame setting for roasts.
- Thick steaks will finish with a better texture and more juice if first seared on high flame setting and then cooked on a low flame setting.

Safe Grill Operation

- NEVER leave cooking food unattended. Continually observing the food will help in maintaining an even temperature, conserve fuel, improve the food's flavor and lessen flare-ups.

- To open the grill lid, slowly lift the handle to avoid burning in case of a grease fire flare-up.
- DO NOT expose any part of your body directly above the cooking area.

Food Preparation Hints

- Your grill can cook a variety of foods. For best results, follow these instructions:
- Trim excess fat from meat and poultry. Slash any remaining fat to stop curling, but take care not to cut the meat.
- Frozen meat and poultry should be thawed prior to cooking.
- Frozen fish and vegetables will cook without thawing.
- Salt food after cooking to help prevent drying out the food.
- Brush naturally lean meats with cooking oil or margarine.
- Cook small pieces of tender foods in foil or on special delicate-food cooking grate (see the section titled "Cooking Methods").
- Apply barbecue, tomato or sugar-based sauces no sooner than the last 10 minutes of cooking.
- Turn food with tongs or a spatula; piercing food (especially meat), tends to dry it out.

In Case of Grease Fire

Follow These Steps

1. Shut off the gas at the burner valve(s) and stay away!
2. Allow the fire to burn itself out.
3. Once the fire is out and the appliance has cooled, remove the disposable cylinder.
4. Clean all parts and inspect for damage. Parts to check for damage are the L.P. cylinder, regulator, burner valve(s) and burner(s).
5. If any of the above mentioned components are damaged, seek replacement from Coleman before operating the grill again. Locate your nearest service center by calling 1-800-835-3278.

Note:

- Some flare-up adds a smoky flavor and sears food. Excessive grease fires can cause a potentially hazardous situation and damage the grill.
- Avoid excessive flare-ups by preheating the grill with the lid closed for 5 minutes on the high setting to burn off grease from previous cooking.
- Cook with the lid down and continually monitor cooking food to avoid grease fires and flare-ups.
- Trimming excess fat from meat will reduce grease fires and flare-ups. Cook fatty meat in smaller amounts over indirect heat on a low setting.
- Be sure to follow the instructions in the section titled "Care, Maintenance, and Cleaning".

Cooking Methods

Direct method:

- The heat source is directly below the food.
- Use for browning meat or cooking hot dogs and hamburgers, but check food frequently.
- Use for skillet and stir-fry cooking, but limit the amount of oil and heat to be used.

- Cook roasts, turkey or duck on low heat. Place meat with water in a foil pan with a corrugated bottom. Replenish water as needed.

Indirect method:

- Light only one side of the burner and place food on the opposite side for cooking.
- Allow food to cook at a lower temperature which increases tenderness and reduces grease flare-ups.
- It is a good method for cooking foods that burn easily (vegetables, fish, etc.).
- Cook casseroles in ovenware or foil pans much like cooking in a conventional oven.
- Also try placing a pan of water above the lit burner side to help meat retain its juices. Replenish the water as needed.

Care, Maintenance and Cleaning

DRIP TRAY

The drip tray is located below the grill and should be cleaned periodically to prevent heavy buildup of debris. (Fig. 31)

Note: Allow the drip tray to cool before attempting to clean.

Important: Do not leave the grill outside during inclement weather unless it is covered (cover sold separately). Rain water can collect inside of the grill, or in the drip tray if left uncovered. If the drip tray is not cleaned after use and the grill is left uncovered, the drip tray will fill with water causing grease and water to spill. We recommend cleaning and storing the drip tray after every use.

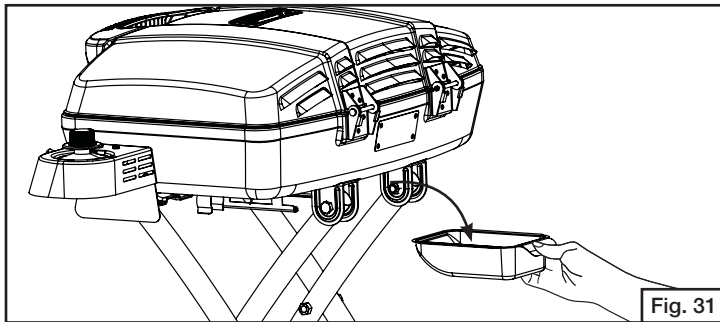


Fig. 31

COOKING GRATE

The cooking grate can be cleaned immediately after cooking is completed and after turning off the grill. Wear a barbecue mitt and scrub the cooking grate with a damp cloth. If the grill is allowed to cool down, cleaning the grate will be easier if removed from the grill and cleaned with a mild detergent.

⚠ CAUTION

All cleaning and maintenance should be done only when the grill is cool & with the fuel supply turned off at the cylinder. Disposable propane cylinders should be detached from the grill during cleaning.

Suggested Cleaning Materials:

- Mild dishwashing liquid detergent
- Hot water
- Wire brush
- Paper clip
- Nylon cleaning pad
- Soft brass-bristled brush
- Putty knife
- Scraper

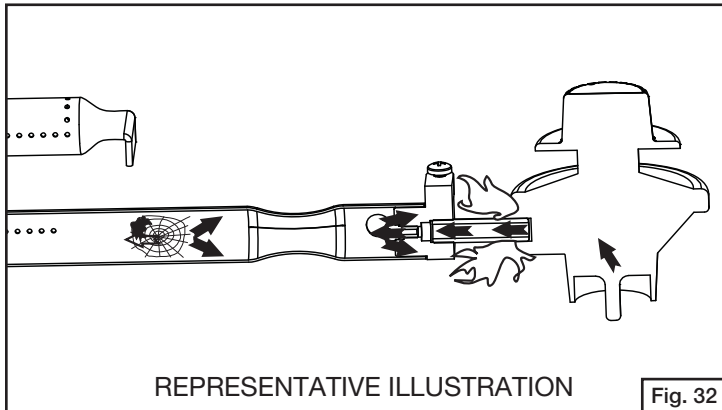
Component Cleaning:

- **BURNER:** Wire-brush loose corrosion from the burner exterior. Clean clogged gas port holes with an opened paper clip. Replace corroded or damaged burner that would emit excess gas.
- **COOKING GRATE:** Clean cooking grate with mild soap and hot water. Remove stubborn residue with a mild cleanser or scrub brush. **DO NOT** use a commercial oven cleaner.
- **GRILL INTERIOR:** Remove grate. Scrape side with tools and remove excess grease and cooking residue.

Cleaning the Venturi

⚠ WARNING

Spider's nests or wasp's mud inside the venturi may cause fire at the valve. If a fire occurs, immediately turn off the gas supply at the control valve (see representative illustration in Fig. 32).

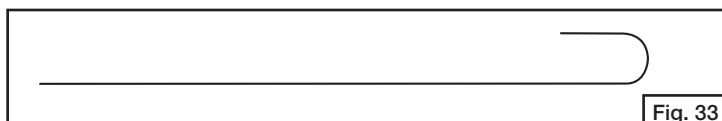


Note:

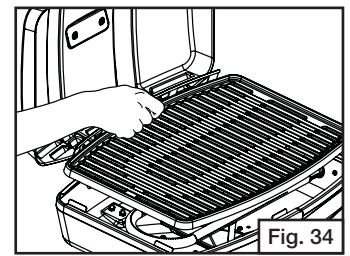
Spiders and small insects can spin webs and build nests inside the venturi tubes. This especially occurs in late summer and fall before frost when spiders are most active. These nests can obstruct gas flow and cause a fire in and around the burner knob. Such a fire can cause operator injury and serious damage to the grill. To help prevent a blockage and ensure full heat output, clean and inspect the venturi tubes often (once or twice a month). **NOTE:** Water or air pressure will not normally clear a spider web.

Steps For Cleaning Venturi:

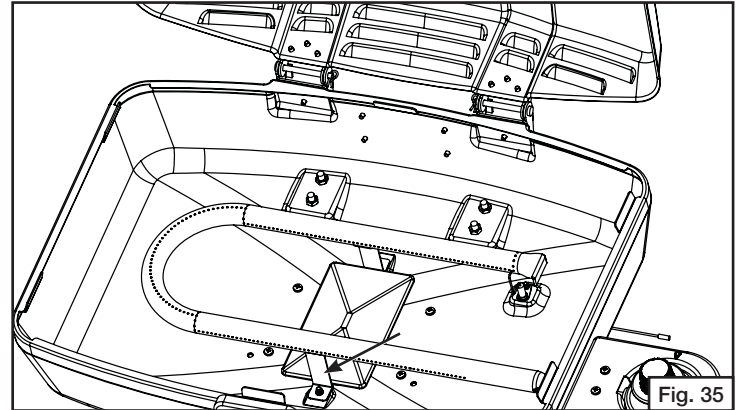
1. To remove the above obstructions, use an accessory flexible venturi brush or bend a small hook on one end of a 20-inch long flexible wire such as the one shown in Fig. 33.



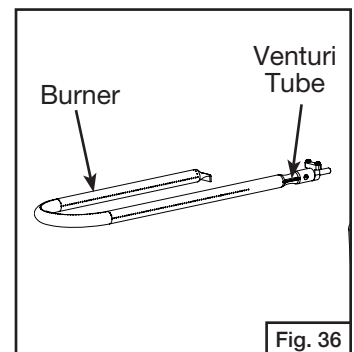
2. Remove the cooking grate set aside. (Fig. 34)



3. Using a screwdriver, remove the self-tapping screws holding the burner clamps beneath the case and remove the burner. (Fig. 35)



4. Look inside lower end of venturi tube for nests, webs or mud. If present, clean as noted in Step 1, Fig. 33.
5. Inspect and clean the burner if needed.
6. Replace the burner and burner clamps, and position the burner in the operating position.
7. Make sure the orifice fittings are inside the venturi tube, then tighten all self tapping screws. (Fig. 36)



Moving and Storage

CAUTION

A collision with the grill, as with any metal object, could cause injury. Use care when moving a portable gas grill.

Moving the grill:

- DO NOT move the grill while it is lit or hot, or with objects on the cooking surface.
- Clean the grease tray before moving the grill to prevent spills.
- Collapse the grill before moving.
- Move the grill slowly. DO NOT run with the grill behind you; it could hit you from behind causing injury.

After moving the grill:

- Check all gas connections for leaks that could occur from the movement.
- Check the venturi tubes to be sure they are still over the orifices.

Steps to follow before storing grill:

- Clean the grill, including the grease tray.
- Coat the burner lightly with cooking oil to retard rusting.
- For outdoor use only. If the grill is stored indoors, detach the cylinder outdoors. If left outdoors, remove the cylinder and cover the grill for protection from the weather. Grill covers may be purchased from a grill dealer or manufacturer.

Troubleshooting

Problem: Grill will not light when the igniter button is pushed or has incomplete burner flame.

Possible Causes and Solutions:

1. Lack of fuel. Check to see that the cylinder has fuel.
2. Make sure the burner is turned on. Allow up to four seconds for gas flow to ignite.
3. If burner lights with match but not igniter, check the ceramic electrode position near the burner, the condition of the igniter wire and its connections. Perform igniter test and replace any damaged parts.
4. Check for spider webs or insect nest in venturi and clean venturi.
5. Check for misalignment of venturi on orifices. Position venturi over orifices.
6. Burner ports, orifices or knob have blockage. Clean the components.
7. Regulator failure; regulator needs to be replaced by an authorized service dealer.
8. Make sure the regulator and cylinder are properly assembled. See the section titled "Installing 1 lb. Propane Cylinders".

Problem: Yellow flame.

Possible Causes and Solutions:

1. Check for spider webs or insect nest in the venturi and clean the venturi.
2. New burner may have residual oil which will burn off.
3. Clean off any food residue, grease or seasoning salts on the burner.
4. The venturi may be misaligned and needs to be lined up over the orifice.

Problem: Flame blows out on low setting or has uneven heat distribution.

Possible Causes and Solutions:

1. Check for spider webs or insect nests in the venturi and clean the venturi.
2. Cold grill needs to be preheated for 5 minutes on high setting.
3. The venturi may be misaligned and needs to be lined up over the orifices.
4. Cold and windy weather will require you to move the grill away from the wind.
5. Lack of fuel. Check to see that the cylinder has fuel.

Problem: Grill too hot.

Possible Causes and Solutions:

1. Excessive flareups which require the maintenance described in the section titled "IN CASE OF GREASE FIRE".
2. A damaged orifice or regulator which requires replacement with factory authorized parts.
3. Buildup of grease inside the grill will require cleaning and emptying the grease tray.
4. Choose a lower cooking temperature if using excessively high settings.

Problem: Fire at any connection.

Possible Causes and Solutions:

IMMEDIATELY shut off control knob and allow grill to cool.

1. Gas is leaking from a faulty connection. Tighten connections with an adjustable wrench and replace damaged parts. Perform a leak test on all connections before cooking on the grill again.

Problem: Flame behind control panel or control knob area.

Possible Causes and Solutions:

IMMEDIATELY shut off control knob and allow grill to cool.

1. Check for spider webs or insect nest in the venturi and clean the venturi.
2. Gas is leaking from a faulty connection. Hand tighten connections and replace damaged parts. Perform a leak test on all connections before cooking on the grill again.
3. The venturi may be misaligned and needs to be lined up over the orifices.

ATTN: DEPT 586

PRODUCT REGISTRATION DEPARTMENT
PO BOX 2931
WICHITA, KS 67201



Please
Place
First-Class
Stamp
Here

Please do not send other
correspondence to the address below.

PLEASE FOLD AND SEAL WITH TAPE. DO NOT STAPLE.

Coleman® Grill Registration Card



IMPORTANT!

**COMPLETE THE ATTACHED REGISTRATION CARD AND RETURN WITHIN 10
DAYS TO RECEIVE THESE IMPORTANT BENEFITS:**

▶ **PROTECT YOUR PRODUCT:**

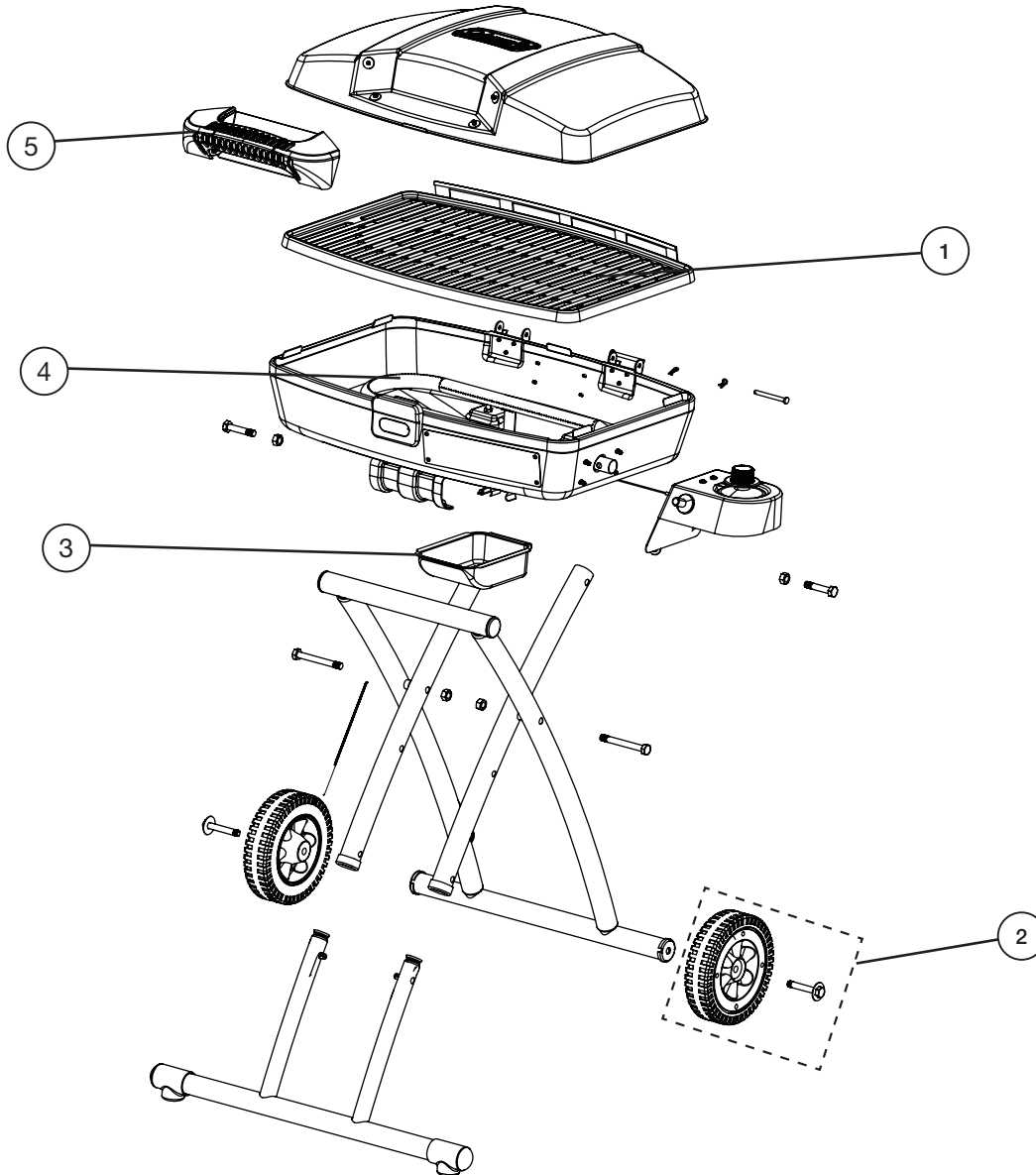
We will keep the model number and date of purchase of your new Coleman® product on file to help you refer to this information in the event of an insurance claim such as fire or theft.

▶ **PROMOTE BETTER PRODUCTS:**

We value your input. Your responses will help us develop products designed to best meet your needs.

Replacement Parts List – 9955 Series

1	2000007426	Grate
2	9949-2401	Wheel Assy
3	5010000823	Drip Tray
4	5010000822	Burner/Flame tamer
5	5010000824	Lid Handle Assy



Limited Three Year Warranty

The Coleman Company, Inc. ("Coleman") warrants that for a period of three (3) years from the date of original retail purchase, this product will be free from defects in material and workmanship. Coleman, at its option, will repair or replace this product or any component of the product found to be defective during the warranty period. Replacement will be made with a new or remanufactured product or component. If the product is no longer available, replacement may be made with a similar product of equal or greater value. This is your exclusive warranty.

This warranty is valid for the original retail purchaser from the date of initial retail purchase and is not transferable. Keep the original sales receipt. Proof of purchase is required to obtain warranty performance. Coleman dealers, service centers, or retail stores selling Coleman® products do not have the right to alter, modify or in any way change the terms and conditions of this warranty.

What This Warranty Does Not Cover

This warranty does not cover normal wear of parts, parts that are not genuine Coleman® parts, or damage resulting from any of the following: negligent use or misuse of the product; commercial use of the product; use contrary to the operating instructions; disassembly, repair or alteration by anyone other than Coleman or an authorized service center. Further, the warranty does not cover Acts of God, such as fire, flood, hurricanes and tornadoes. Warranty void if damage to the product results from the use of a part other than a genuine Coleman® part.

COLEMAN SHALL NOT BE LIABLE FOR DEFECTS THAT ARE CAUSED BY THE USE OF UNAUTHORIZED PARTS OR SERVICE. COLEMAN SHALL NOT BE LIABLE FOR ANY INCIDENTAL OR CONSEQUENTIAL DAMAGES CAUSED BY THE BREACH OF ANY EXPRESS OR IMPLIED WARRANTY OR CONDITIONS. EXCEPT TO THE EXTENT PROHIBITED BY APPLICABLE LAW, ANY IMPLIED WARRANTY OF MERCHANTABILITY OR FITNESS FOR A PARTICULAR PURPOSE IS LIMITED IN DURATION TO THE DURATION OF THE ABOVE WARRANTY OR CONDITIONS. SOME STATES, PROVINCES, OR JURISDICTIONS DO NOT ALLOW THE EXCLUSION OR LIMITATION OF INCIDENTAL OR CONSEQUENTIAL DAMAGES OR LIMITATIONS ON HOW LONG AN IMPLIED WARRANTY LASTS, SO THE ABOVE LIMITATIONS OR EXCLUSION MAY NOT APPLY TO YOU. THIS WARRANTY GIVES YOU SPECIFIC LEGAL RIGHTS, AND YOU MAY ALSO HAVE OTHER RIGHTS THAT VARY FROM STATE TO STATE OR PROVINCE TO PROVINCE.

How to Obtain Warranty Service

Take the product to an authorized Coleman service center. You can find the nearest authorized Coleman service center by visiting www.coleman.com or calling 1-800-835-3278 or TDD 1-316-832-8707 in the United States or 1-800-387-6161 in Canada. If a service center is not conveniently located, attach to the product a tag that includes your name, address, daytime telephone number and description of the problem. Include a copy of the original sales receipt. Carefully package the product and send either by courier or insured mail with shipping and insurance prepaid to:

For products purchased in the United States:

The Coleman Company, Inc.
3600 North Hydraulic
Wichita, KS 67219 U.S.A.

For products purchased in Canada:

Sunbeam Corporation (Canada) Limited
DBA Jarden Consumer Solutions
20B Hereford Street
Brampton, ON L6Y 0M1

The costs of transporting the product to Coleman or an authorized service center for warranty service is the responsibility of the purchaser.

Do not mail products with fuel in tanks, or with disposable propane cylinders.

DO NOT RETURN THIS PRODUCT TO THE PLACE OF PURCHASE.

If you have any questions regarding this warranty please call 1-800-835-3278 or TDD 1-316-832-8707 in the United States or 1-800-387-6161 in Canada.



For Warranty, Service and Parts:

Locate your model number and serial number on the label found on the grill.



The Coleman Company, Inc. • 3600 North Hydraulic • Wichita, KS 67219 U.S.A.

1-800-835-3278 • TDD: 1-316-832-8707

© 2010 The Coleman Company, Inc. All rights reserved. Coleman®, , , and RoadTrip® are registered trademarks and InstaStart™ is a trademark of The Coleman Company, Inc.



Barbecue à gaz

Manuel d'assemblage, d'utilisation et d'entretien avec instructions d'allumage

Modèle de la série 9955 (gaz de pétrole liquéfiés)

INSTALLATEUR:

Laissez ces instructions à l'utilisateur.

CONSOMMATEUR/UTILISATEUR:

Lisez toutes les instructions et gardez-les en lieu sûr pour référence ultérieure.



www.coleman.com

REMARQUE:

La bouteille de propane
n'est pas incluse.

IMPORTANT

Lisez attentivement le manuel avant d'assembler, d'utiliser ou de réparer le grill et gardez-le pour référence ultérieure. Pour toute question concernant l'assemblage, le fonctionnement, l'entretien ou la réparation du grill, appelez Coleman au 1-800-835-3278/ATS 1-316-832-8707 aux États-Unis, au 1-800-387-6161 au Canada.

Uniquement destiné
à l'air libre




Table des matières

Table des matières	1
Caractéristiques techniques.....	1
Généralités de sécurité.....	1
Généralités d'installation	2
Bouteilles portatives de gaz propane.....	2
Caractéristiques du gril	3
Assemblage du gril.....	4
Mise en place d'une bouteille de propane de 465 g	5
Brûleur et orifice	5
Détection des fuites - Bouteilles de propane jetables	5
Détection des fuites	5
Élimination des fuites	6
Liste de vérification de mise en marche.....	6
Instructions d'allumage	6
Allumage des brûleurs.....	7
Extinction du gril.....	7
Généralités d'emploi et flammes correctes.....	7
Conseils pratiques de grillage	8
En cas de feu de friture	8
Modes de cuisson	9
Nettoyage, soins et entretien	9
Nettoyage du diffuseur	9
Déplacement et remisage	10
Dépannage	11
Nomenclature — Série 9955	12
Garantie.....	13

Caractéristiques techniques

Puissance d'entrée : 1 tube de brûleur de 11 000 Btu/h
Catégorie: Propane à pression régularisée
Alimentation: Bouteilles de propane jetables de 465 g/16,4 oz
Régulateur: 9955 doit être utilisé

Généralités de sécurité

Ce manuel contient des renseignements importants quant à l'assemblage, au fonctionnement et à l'entretien du produit et du système. Des généralités de sécurité sont présentées dans les premières pages puis un peu partout dans le manuel. Faites tout particulièrement attention quand vous voyez ces symboles: « DANGER», « AVERTISSEMENT», « ATTENTION».

Gardez ce manuel pour le consulter au besoin et pour apprendre aux nouveaux utilisateurs à se servir de l'appareil. Le manuel devrait être compulsé de concert avec les étiquettes apposées sur le produit.

Des précautions de sécurité sont indispensables en présence de tout appareil mécanique ou à propane. De telles précautions sont nécessaires pour l'utilisation, le rangement et l'entretien. Utiliser cet appareil avec tous les soins qui lui sont dus réduira les risques de blessures corporelles ou de dommages matériels.

Les symboles illustrés ci-après sont régulièrement employés dans ce manuel. Tenez compte de ces précautions impératives lors de l'utilisation de tout appareil mécanique ou à carburant.

DANGER

«DANGER» indique une situation dangereuse qui, si elle n'est pas contournée, entraînera la mort ou des blessures graves.

AVERTISSEMENT

«AVERTISSEMENT» signale une situation potentiellement dangereuse qui, si elle n'est pas évitée, peut entraîner la mort ou des blessures graves.

ATTENTION

«ATTENTION» dénote un danger potentiel qui, s'il n'est pas contourné, risque d'entraîner des blessures corporelles allant de peu graves à moyennes ou bien des dommages matériels.

DANGER

Que faire si vous sentez le gaz:

- 1. Couper l'alimentation en gaz à l'appareil.**
- 2. Éteindre toute flamme nue.**
- 3. Ouvrir le couvercle.**
- 4. Si l'odeur persiste, s'éloigner de l'appareil et appeler immédiatement le fournisseur de gaz ou le service des incendies.**

DANGER

- 1. Ne pas entreposer ni utiliser d'essence ni d'autres vapeurs ou liquides inflammables à proximité de cet appareil ou de tout autre appareil.**
- 2. Aucune bouteille de GPL non reliée pour l'utilisation ne doit pas être remise près de cet appareil ou de tout autre appareil.**

PROPOSITION 65 DE LA CALIFORNIE:

AVERTISSEMENT: Les sous-produits de la combustion provenant de l'emploi de cet appareil contiennent des produits chimiques reconnus par l'État de la Californie comme pouvant causer le cancer, des anomalies congénitales ou présenter d'autres dangers pour la reproduction.

DANGER

- **NE CONVIENT QU'À L' AIR LIBRE.** Ne JAMAIS utiliser le gril en lieu clos: en cas de fuite le gaz s'accumulerait, causerait une explosion ou l'accumulation de monoxyde de carbone et entraînerait des blessures, voire la mort. NE PAS l'utiliser dans garages, passages recouverts, remises ou autres espaces clos.
- **NE DOIT PAS ÊTRE UTILISÉ PAR DES ENFANTS.**
- Ignorer ces instructions peut causer incendie dangereux ou explosion entraînant blessures graves voire mortelles ou dégâts matériels.

AVERTISSEMENT

- NE déplacez PAS le gril lorsqu'il est allumé.
- Gardez l'espace contigu à l'appareil de cuisson à gaz de plein air exempt de matériaux combustibles, d'essence ou d'autres vapeurs ou liquides inflammables.

⚠ AVERTISSEMENT

- N'utilisez NI briquettes (charbon) NI essence à briquet dans un gril à gaz.
- Un gril qui sert est chaud; pour ne pas vous brûler, ne touchez à AUCUNE surface chaude. Écartez enfants et animaux du gril chaud.
- Ne laissez JAMAIS le gril sans surveillance quand il fonctionne.
- Il vous incombe d'assembler, de disposer, de faire fonctionner et d'entretenir convenablement votre gril à gaz.
- Ne vous servez PAS du gril à gaz à l'intérieur.
- Dans certaines circonstances, l'odeur distinctive qui est ajoutée au propane s'estompe. D'autres odeurs fortes peuvent aussi la masquer. Les rhumes, les allergies, les affections sinusiennes, l'usage de tabac, d'alcool ou de médicaments sont tous des facteurs qui peuvent également empêcher de détecter l'odeur du propane.

Généralités d'installation

- L'installation doit se conformer aux codes municipaux ou, faute de codes, respecter la norme ANSI Z223.1/NFPA 54 intitulée National Fuel Gas Code, la norme CSA B149.1 intitulée Codes d'installation au gaz naturel et au propane, la norme CSA B149.2 intitulée Propane Storage and Handling Code, si applicables.
- Pour vérifier les codes municipaux, consultez votre fournisseur de gaz ou le fournisseur de gaz naturel répertorié dans les Pages jaunes afin d'obtenir les méthodes d'installation préconisées et la réglementation.

⚠ AVERTISSEMENT

L'installation de cet appareil dans ou sur un véhicule de plaisance ou une embarcation est interdite.

Observez ces règles de sécurité avant chaque utilisation:

1. Un espace libre d'au moins 61 cm (24 pouces) sur la gauche, la droite et derrière le gril doit être maintenu entre le gril et tout matériau combustible tel que les parois en bois d'un édifice.
2. Ne placez jamais le gril sous un matériau combustible ou sous un auvent queue de vache non protégé.
3. N'entravez pas l'écoulement de l'air comburant et de ventilation.
4. Veillez à ce que le gril soit d'aplomb et pas directement face au vent.

⚠ AVERTISSEMENT

Il est interdit de ranger une bouteille de propane liquide n'étant pas connectée au gril sous ou à proximité de cet appareil ou de tout autre.

Les connexions doivent être conformes aux prescriptions municipales et incombent uniquement à la personne qui exécute le travail.

⚠ AVERTISSEMENT

- N'essayez PAS d'ajuster le régulateur de pression, une situation dangereuse pourrait en résulter et entraîner des blessures corporelles ou des dégâts matériels.

Bouteilles portatives de gaz propane

Extrêmement inflammable, le propane (gaz de pétrole liquéfiés) se liquéfie lorsque mis en réserve sous haute pression dans bonbonnes, ou autres, et se vaporise lorsque libéré. Plus lourd que l'air, le propane s'accumule au ras du sol. Il est impératif qu'aucune connexion du gril ne fuie car une explosion pourrait en résulter (consultez la rubrique «RECHERCHE DES FUITES»).

Les grils à gaz portatifs avec bouteilles de gaz propane liquéfié nécessitent un système de débit de combustible qui consiste en un régulateur ajustable [A] et une bouteille d'alimentation en gaz propane liquéfié [B]. (Fig. 1)

L'illustration de la Fig. 1 est présentée uniquement à des fins descriptives.

Normes applicables aux bouteilles

- Toutes les bouteilles de GPL utilisées avec cet appareil doivent être fabriquées et porter les marquages voulus, conformément aux exigences du Ministère des Transports des États-Unis (DOT) pour bouteilles de GPL ou à la norme nationale CAN/CSA-B339 de Transports Canada relative aux bouteilles, sphères et tuyaux pour le transport des marchandises dangereuses; et commission, si applicable; et un dispositif de connexion compatible avec le raccord de l'appareil de cuisson de plein air.
- Consultez les étiquettes apposées sur les bouteilles de GPL.

⚠ AVERTISSEMENT

Votre nouveau gril vient avec un régulateur de pression CGA n° 600 [A]. N'essayez PAS de connecter ce régulateur à une bouteille jetable de GPL n'étant pas équipée d'un raccord correspondant CGA n° 600 [C]. Ce gril ne doit être utilisé qu'avec le régulateur de pression fourni ou avec les régulateurs de pression que Coleman spécifie pour cet appareil particulier. Les régulateurs de pression de rechange doivent être ceux que précise Coleman. (Fig. 1)

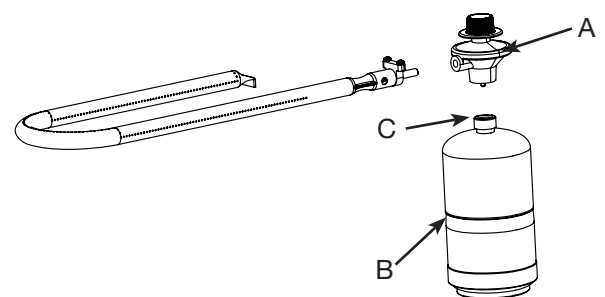


Fig. 1

⚠ DANGER

- Ne rangez JAMAIS une bouteille de gaz propane liquéfié de rechange sous le grill ou à proximité de tout appareil dégageant de la chaleur. (Fig. 2)

Le non-respect de cette consigne peut résulter en une explosion ou un incendie causant des blessures graves, voire mortelles.

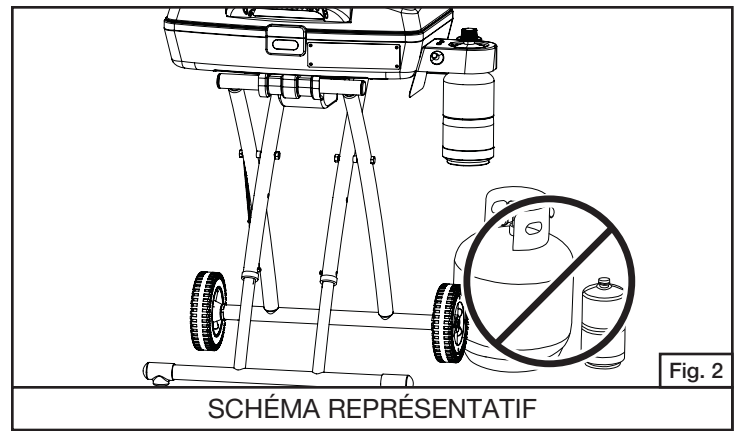
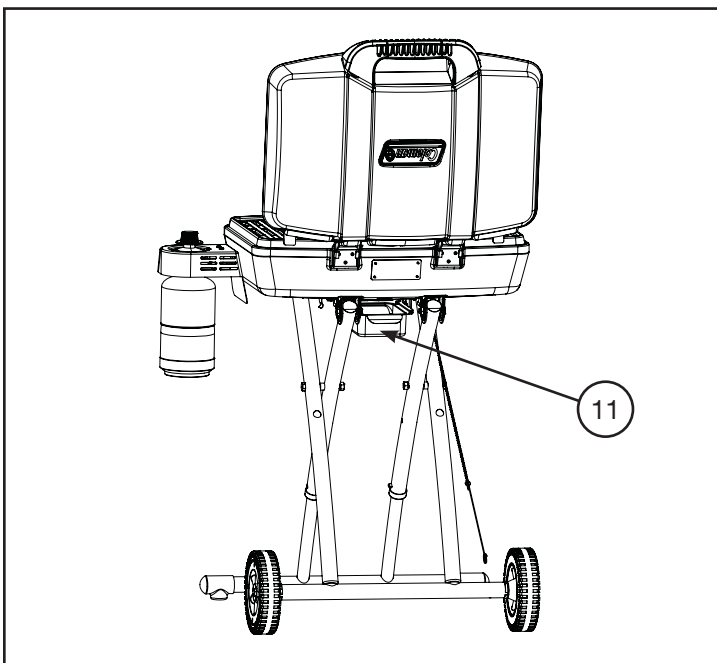
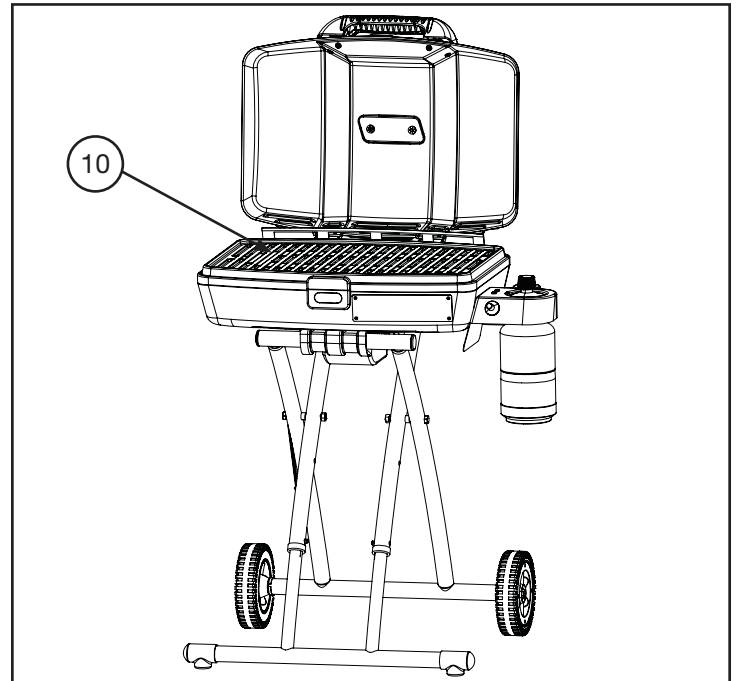
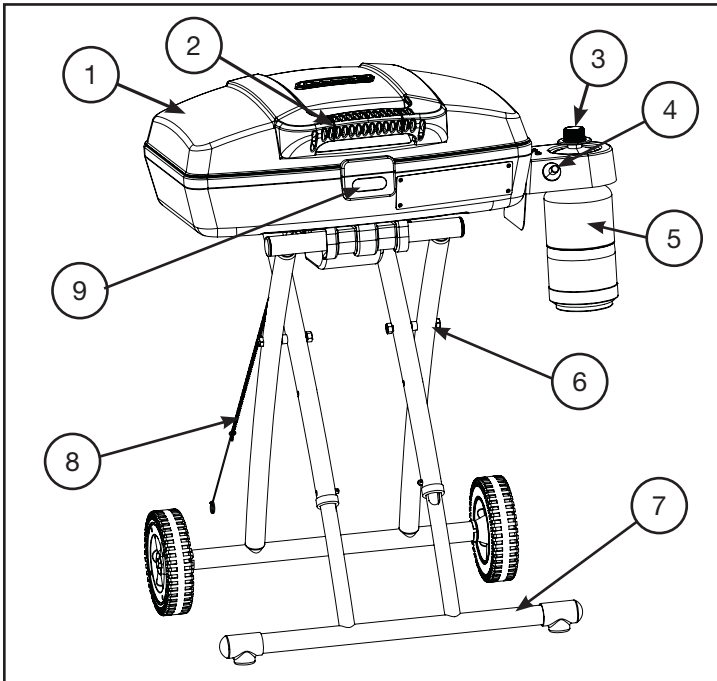


Fig. 2

SCHÉMA REPRÉSENTATIF

Caractéristiques du grill



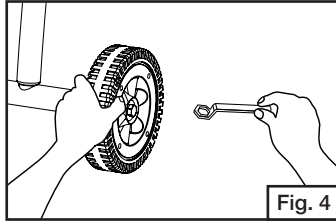
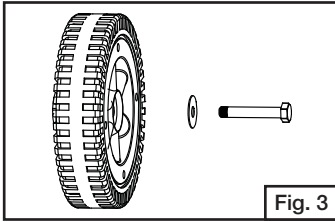
1. Couvercle du grill
2. Poignée du couvercle
3. Régulateur avec bouton de commande
4. Allumeur électronique
5. Bouteille jetable (Non incluse)
6. Pattes avec roulettes
7. Poignée de traction
8. Rallonge d'allumette (Rangée sur une patte)
9. Clenche de verrouillage du couvercle
10. Surface de cuisson
11. Plateau ramasse-gouttes

Assemblage du gril

IMPORTANT: Enlevez tout le matériel d'emballage avant l'assemblage ou l'utilisation.

Montage des roues et de la poignée de traction

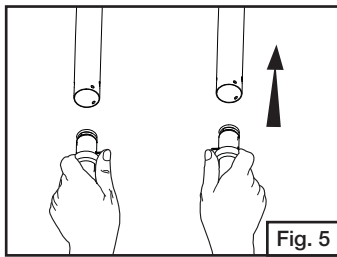
- Enlevez de l'emballage le gril, les roulettes, les pattes et la poignée.
- Examinez l'emballage et sortez toutes les pièces.
- Consultez le carton pour identifier les pièces. Assemblez les roulettes au piètement. Fixez chacune, à l'axe à cet effet, à l'aide d'un boulon et une rondelle. (Fig. 3 et 4)



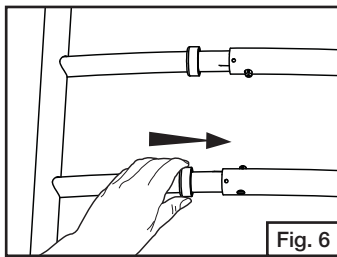
REMARQUE:

Clé anglaise non incluse.

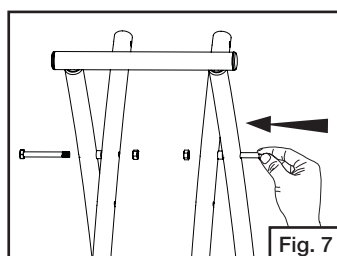
- Faites enboîter les tubes qui s'allongent à la poignée de traction. Appuyez sur les boutons de la poignée de traction et poussez jusqu'à ce qu'ils s'enclenchent. (Fig. 5)



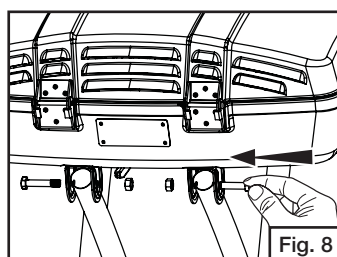
- Refermez les extrémités des tubes qui s'allongent avec les douilles qui sont fournies. (Fig. 6)



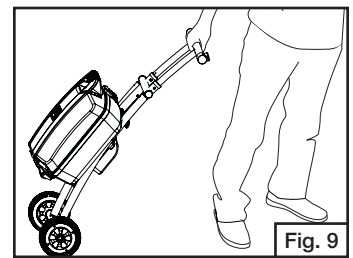
- Reliez ensemble la poignée de traction et le support du gril avec les boulons à œil, cales d'épaisseur et écrous. (Fig. 7)



- Attachez les extrémités de la poignée de traction au gril à l'aide des boulons à œil et des écrous. (Fig. 8)

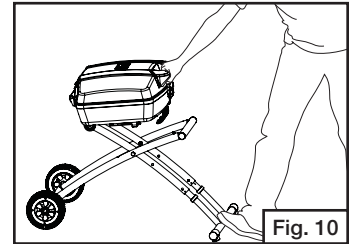


- Une fois la poignée bloquée en position, vous pourrez aisément déplacer le gril jusqu'à l'endroit que vous lui destinez. (Fig. 9)

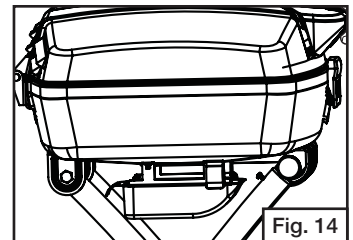
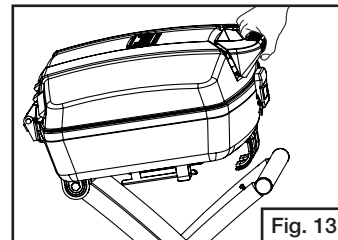
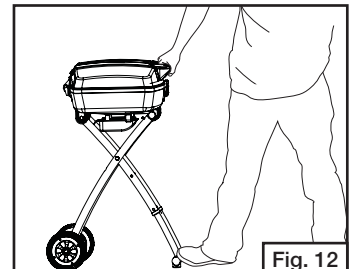
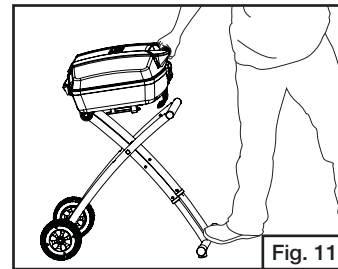


Mise en place du gril

- Avec le pied, retenez la poignée de traction, tirez sur la poignée du couvercle vers le haut et faites monter jusqu'à ce que le support soit complètement déployé. (Fig. 10)

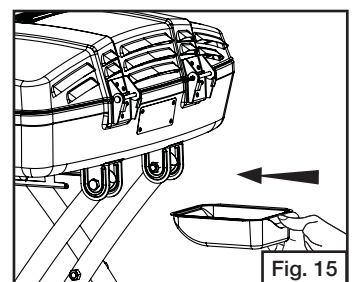


- Continuez de tirer la poignée du couvercle vers vous jusqu'à ce que le support soit complètement déployé. (Fig. 11)
- Abaissez le gril et glissez-le en arrière pour verrouiller les montants du piètement dans les supports du fond. (Fig. 12, 13 et 14)



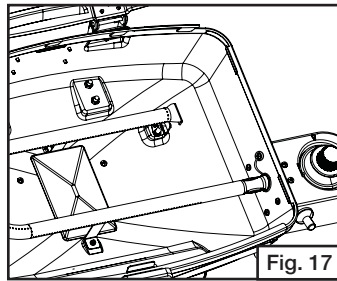
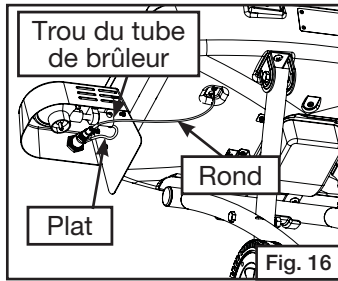
Mise en place du plateau à graisse

- Installez le plateau ramasse-gouttes sous la partie inférieure arrière du gril. (Fig. 15)



Installation des électrodes et des fils de garde

- Branchez le connecteur électrique rond à la prise ronde au bout de l'allumeur électrique et insérez celui qui est plat dans le trou du tube du brûleur, vissez ensuite avec une vis. (Fig. 16 et 17)



Mise en place d'une bouteille de propane de 465 g

REMARQUE: À son départ de l'usine le gril de la série 9955 est équipé pour être alimenté par une bouteille de propane jetable de 465 g.

⚠ AVERTISSEMENT

Seules les bouteilles marquées «Propane» doivent être utilisées.

⚠ AVERTISSEMENT

Cette opération DOIT uniquement être accomplie EN PLEIN AIR! Lisez et observez le mode d'emploi donné sur la bouteille.

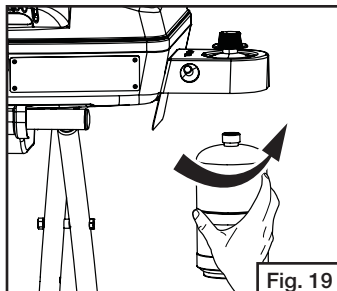
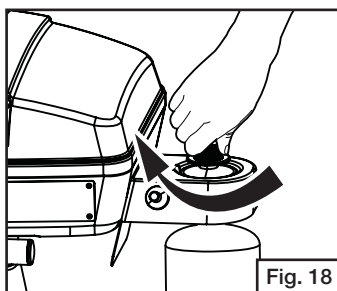
⚠ DANGER

- Ne remisez JAMAIS de bouteilles de recharge de propane sous le gril, dans la carrosserie du gril ou bien dans l'espace contigu à tout appareil dont se dégage de la chaleur.
- Le non-respect de cette consigne peut résulter en une explosion ou un incendie causant des blessures graves, voire mortelles.

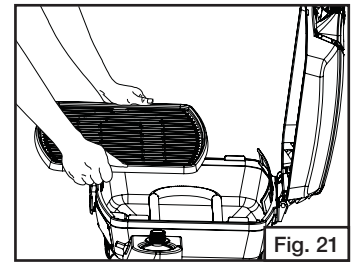
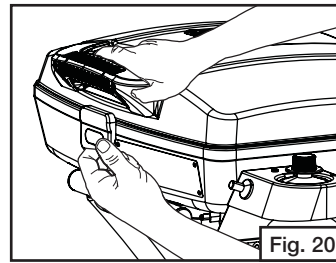
⚠ ATTENTION

Serrez uniquement à la main, n'utilisez JAMAIS d'outils.

- Avant de mettre en place la bouteille de propane, assurez-vous que le bouton de commande du brûleur est à la position « OFF » (fermé). (Fig.18)
- Retirez le bouchon de plastique de la bouteille de propane et vissez le régulateur à la bouteille en le serrant à la main. (Fig. 19)

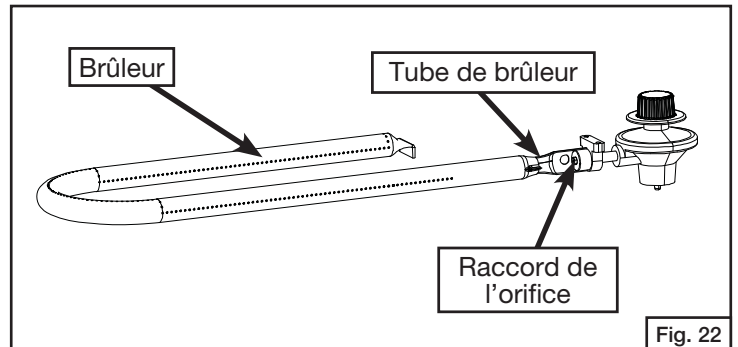


- Pour ouvrir le couvercle, soulevez le loquet du couvercle et ouvrez. (Fig. 20)
- Placez la grille du gril sur le brûleur. (Fig. 21)



Brûleur et orifice

- Il est important que le brûleur soit bien situé par rapport à l'orifice. Afin de vérifier que le tube du brûleur est bien installé, regardez sous le couvercle de l'élément régulateur. Le tube du brûleur doit être situé sur l'attache de l'orifice. Voir Fig. 22 (le dessus du gril n'est pas illustré).



- Examinez les tubes du brûleur/diffuseur et enlevez insectes, ou autres, s'il y a lieu. Un tube bouché peut causer un feu sous l'appareil.

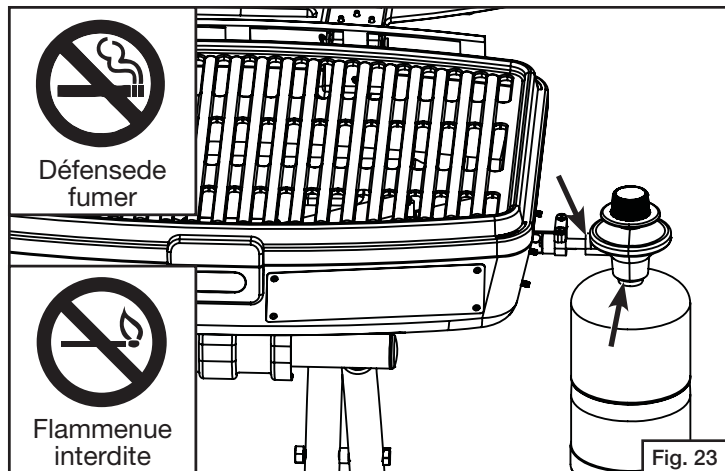
Détection des fuites - Bouteilles de propane jetables

⚠ DANGER

- Pour éviter tout risque d'incendie ou d'explosion
- NE PAS FUMER. NE PAS EMPLOYER de source d'allumage à proximité du test et formellement en interdire la présence.
 - N'effectuer le test qu'à l'air libre.
 - NE JAMAIS rechercher les fuites avec une allumette, une chandelle ou une flamme.

Détection des fuites

1. Préparez une solution savonneuse moitié détergent liquide doux pour vaisselle et moitié eau.
2. Fermez le brûleur à l'aide du bouton de commande.
3. Appliquez la solution savonneuse aux raccords indiqués par les flèches. (Fig. 23) S'il se produit des bulles à ces endroits, il y a une fuite.



Élimination des fuites

Si vous détectez une fuite

1. Arrêtez la fuite en serrant le joint ou bien en remplaçant la pièce défectueuse par une pièce de rechange authentique que recommande Coleman. N'essayez PAS de réparer la bouteille si vous l'endommagez – il FAUT la remplacer.
2. Si vous ne parvenez pas à arrêter la fuite, séparez la bouteille du gril. N'utilisez le gril QU'UNE FOIS la fuite éliminée.

Quand rechercher les fuites

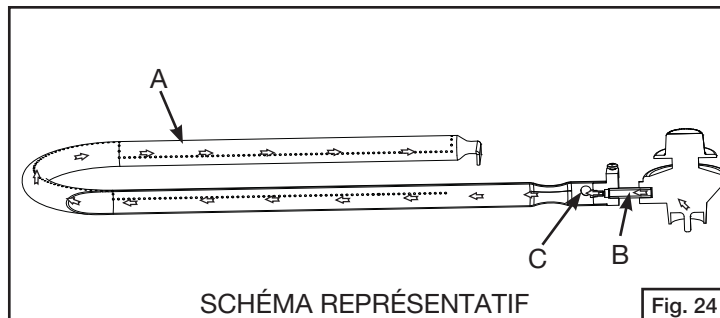
1. Effectuez la détection des fuites à chaque fois que vous branchez une bouteille d'alimentation en gaz au régulateur. Recherchez également les fuites lorsque toute pièce du système d'approvisionnement est remplacée.

Liste de vérification de mise en marche

⚠ AVERTISSEMENT

Ne pas observer les mesures de sécurité suivantes à chaque fois que vous employez le gril peut résulter en un incendie dangereux pour vous, l'appareil ou vos biens matériels. Il est primordial de respecter ces consignes après le remisage, le déplacement ou le nettoyage du gril.

1. Vérifiez souvent le diffuseur des brûleurs, un nid d'insectes pourrait les boucher. Consultez «Nettoyage du diffuseur» sous la rubrique «Nettoyage, soins et entretien», ainsi que la section «Dépannage».
2. Assurez-vous que le tube du brûleur [A] est correctement positionné sur la sortie du régulateur [B]. L'orifice [C] doit être à l'intérieur du diffuseur. (Fig. 24
3. N'employez que le gaz précisé.
4. Gardez le gril sur une surface plane.
5. Assurez-vous que le plateau à graisse soit vide à la mise en marche du gril.



⚠ ATTENTION

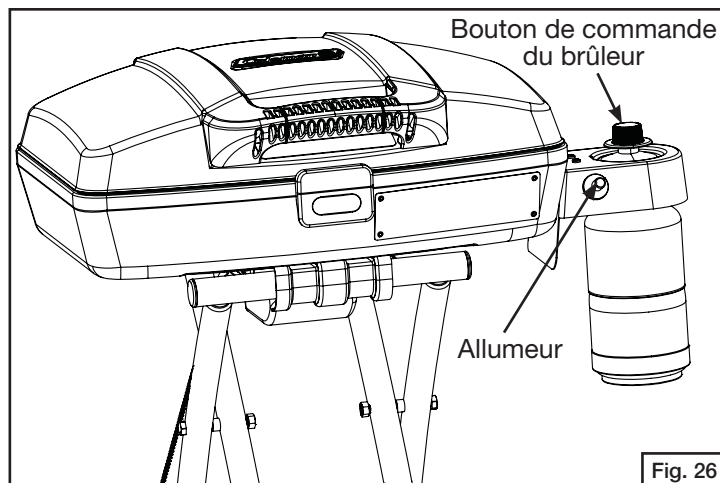
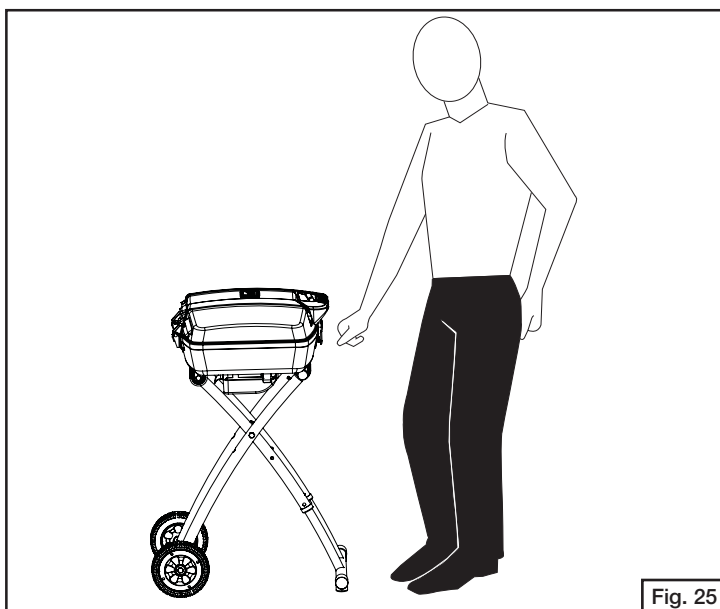
N'ajoutez PAS de charbon de bois ou d'allume-feu liquide!

Instructions d'allumage

⚠ AVERTISSEMENT

LES RÈGLES SUIVANTES DOIVENT TOUJOURS ÊTRE SUIVIES DANS L'ORDRE DONNÉ (FIG. 25):

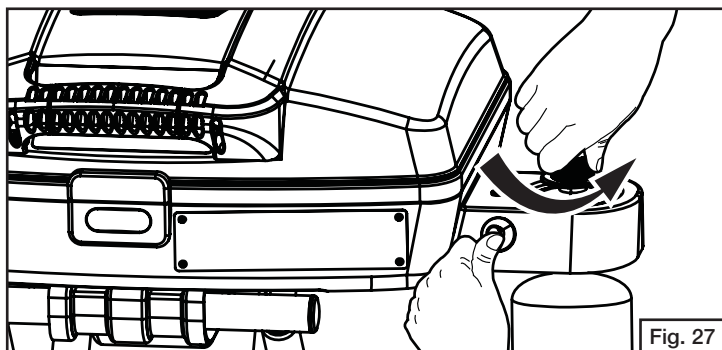
1. OUVREZ LE COUVERCLE DU GRIL! Toute tentative d'allumage alors que le couvercle du gril est fermé pourrait provoquer une explosion.
2. Assurez-vous que le bouton de commande du brûleur est à la position « OFF » (fermé).
3. Ne mettez PAS la tête ou les bras au-dessus du gril.



Allumage des brûleurs

Allumage électronique INSTASTART™

- Ouvrez la valve du régulateur et appuyez sur l'allumeur plusieurs fois jusqu'à ce que le brûleur s'allume.
Remarque : si l'allumeur ne réussit pas à allumer le grill, servez-vous d'une allumette pour allumer le brûleur. Voir les instructions concernant l'allumage avec allumette. Si le grill est humide, il se peut que l'allumeur ne fasse pas d'étincelles.
- Ajustez la flamme avec la valve du régulateur. (Fig 26 et Fig. 27)

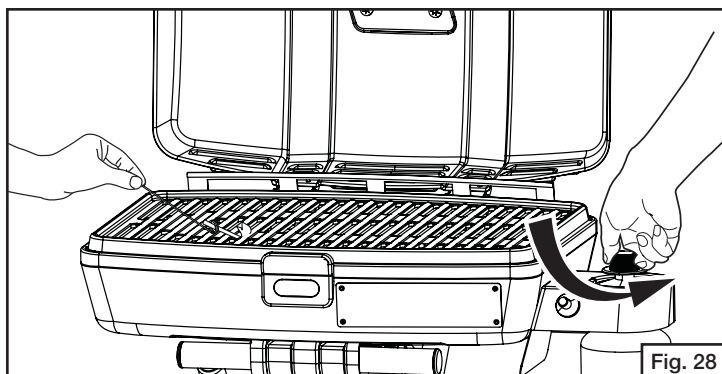


Allumage avec une allumette

- Frottez et placez une longue allumette en bois enflammée (vous pourriez aussi employer la rallonge ou encore un allumeur à butane pour barbecues) dans les interstices des grilles, à proximité des trous du brûleur.
- Appuyez sur le bouton de commande en le tournant dans le sens contraire des aiguilles d'une montre à la position « HIGH » (élevé). (Fig. 28)

⚠ ATTENTION

Servez-vous d'une LONGUE allumette en bois ou d'un briquet à butane avec rallonge. S'il n'est pas possible d'obtenir une allumette ou un briquet à longue portée, servez-vous de la rallonge d'allumette. Insérez une allumette dans le porte allumette de la rallonge, allumez-la et placez-la près du BRÛLEUR en train d'être allumé.

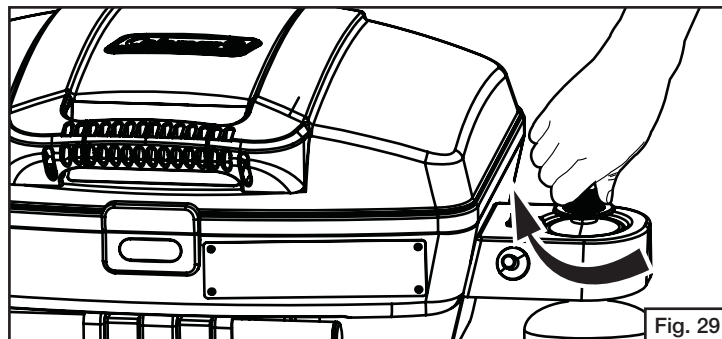


Extinction du grill

⚠ ATTENTION

Ne touchez PAS aux surfaces chaudes du grill avec vos mains nues! Portez TOUJOURS des gants de sécurité.

- Tournez le bouton de commande du brûleur à « off » (fermé). (Fig. 29)



⚠ ATTENTION

Assurez-vous que la bouteille jetable est déconnectée lorsque le grill n'est pas utilisé.

Généralités d'emploi et flammes correctes

⚠ AVERTISSEMENT

- Maintenez le voisinage du grill immaculé, veillez à ce qu'il soit exempt de matières combustibles, d'essence et d'autres vapeurs ou liquides inflammables, ainsi que de bouteilles de propane jetables de recharge.
- N'entravez PAS la circulation de l'air comburant et de ventilation.
- Gardez le ou les orifice(s) de ventilation du logement de la bouteille de propane exempt(s) de débris.
- Le barbecue devient très chaud quand il fonctionne. Ne touchez donc PAS aux grilles ou aux surfaces de cuisson.
- Serrez bien toutes les pièces (vis, écrous, boulons, et autres) au moins une fois par an ou avant que ne débute la saison des grillades en plein air.

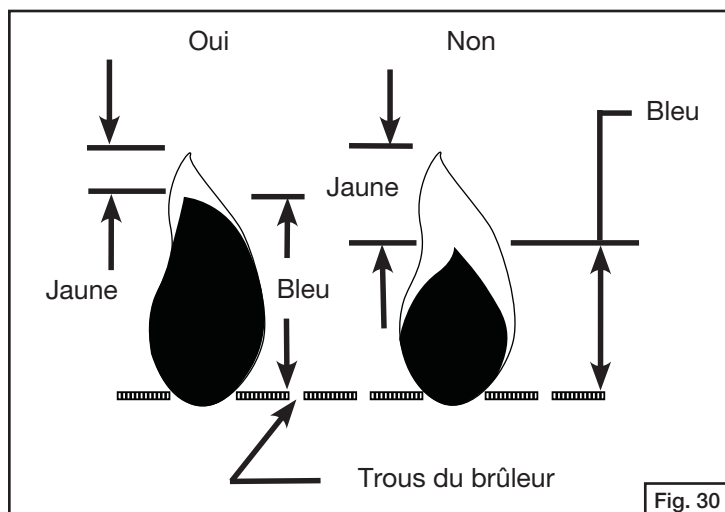
Préparation du grill

- Faites fonctionner le grill à grand feu, le couvercle étant fermé, avant la toute première utilisation et après le remisage, pour éliminer l'huile en la brûlant.
- Une fois l'huile éliminée, vérifiez la flamme du brûleur tel que décrit ci-après.

Flamme du brûleur

- Ouvrez le couvercle du grill. Les grilles devraient être en place.
- Ne mettez ni vos bras ni votre visage directement au-dessus de la surface de cuisson. Regardez par les fentes des grilles pour observer la flamme du brûleur qui se trouve dessous.

- Les flammes doivent être identiques à la flamme correcte de la Fig. 30 et se présenter comme suit:
- La pointe de la flamme bleue est légèrement jaune.
- Des dards jaunes d'au plus 2,5 cm sont acceptables à condition qu'il ne se produise pas de suies.
- Si les flammes sont très jaunes et irrégulières, il est possible que toute l'huile n'ait pas été éliminée, que le diffuseur soit obstrué ou qu'il ne soit pas convenablement positionné sur les trous. Laissez refroidir le gril avant de repositionner le diffuseur sur la valve et les trous.
- Les grils qui servent depuis un certain temps produisent davantage de flammes jaunes. Celles-ci proviennent de l'accumulation de particules d'aliments, d'assaisonnements utilisés pour la cuisson et de graisse. Nettoyez le brûleur pour le débarrasser de tous ces résidus et vérifiez que les trous du brûleur et du diffuseur ne soient pas encrassés ou bouchés. Consultez la rubrique «Nettoyage du diffuseur».
- Nettoyé régulièrement, votre gril fonctionnera mieux et plus efficacement.
- Les grils ne chauffent pas toujours de la même façon. Certains tendent à chauffer davantage au centre et à l'arrière. Plus vous utiliserez le gril et vous familiariserez avec ses particularités, plus la saveur de vos grillades s'améliorera.



Conseils pratiques de grillage

Trucs pour régler le brûleur

- Le réglage grande flamme est trop chaud pour la cuisson directe. Ce réglage s'emploie plutôt pour saisir la viande que vous pouvez alors finir de cuire à un réglage moyen ou bas.
- Utilisez le réglage grande flamme avec le couvercle fermé pour préchauffer le gril pendant 5 minutes avant de commencer la cuisson puis de nouveau avec le couvercle fermé pendant au plus 5 minutes après la cuisson pour brûler les égouttures.
- Servez-vous d'une flamme moyenne pour la cuisson directe des biftecks, des côtelettes de porc, du poulet et des hamburgers.
- Choisissez une petite flamme pour cuire les rôtis.

- Saisis à grande flamme puis finis de cuire à petite flamme, les bifteck épais auront non seulement une meilleure texture mais ils seront aussi plus juteux.

Fonctionnement sans risque du gril

- Ne laissez JAMAIS cuire des aliments sans les surveiller. Surveiller assidûment les aliments aide à maintenir une température uniforme, à ménager le gaz, à améliorer la saveur des aliments et à limiter les flambées soudaines.
- Levez lentement la poignée pour ouvrir le couvercle du gril, afin de ne pas vous brûler au cas où la graisse s'enflammerait.
- Ne mettez AUCUNE partie de votre corps directement au-dessus de la surface de cuisson.

Conseils de préparation des aliments

Votre gril peut cuire de nombreux aliments. Pour obtenir les meilleurs résultats possibles, observez ces instructions:

- Parez l'excédent de gras de la viande et des volailles. Entaillez le gras restant afin qu'il ne se racornisse pas, mais faites très attention de ne pas couper la viande maigre.
- Dégelez la viande et les volailles congelées avant de les faire cuire sur le gril.
- Dégeler le poisson et les légumes congelés est inutile.
- Salez après la cuisson afin que les aliments ne dessèchent pas.
- Badigeonnez les viandes naturellement maigres avec de l'huile de cuisson ou de la margarine.
- Faites cuire les petits morceaux d'aliments fragiles dans une feuille d'aluminium ou sur des grille spéciales, destinées à la cuisson de ce genre d'aliments (voyez «Modes de cuisson»).
- Ne badigeonnez les aliments de sauce barbecue, de sauce tomate ou de sauce sucrée que durant les 10 dernières minutes de cuisson.
- Tournez les aliments avec des pinces ou une spatule pour ne pas les transpercer (tout spécialement la viande), afin qu'ils ne risquent pas de dessécher.

En cas de feu de friture

Agissez comme suit:

1. Fermez les boutons des brûleurs et éloignez-vous!
2. Laissez le feu s'éteindre.
3. Quand le feu s'est éteint et que le gril a refroidi, retirez la bouteille de propane jetable.
4. Nettoyez toutes les pièces et examinez-les pour déceler tous dommages, notamment la bouteille de propane, le régulateur, le(s) bouton(s) du ou des brûleur(s) et le(s) brûleur(s).
5. Si l'un des éléments indiqués ci-dessus est endommagé, procurez-vous la pièce Coleman voulue avant de recommencer à vous servir du gril. Pour connaître le centre de service agréé le plus proche, composez le 1-800-835-3278.

Remarque:

- Des flambées confèrent une saveur de fumée et saisissent les aliments. En trop grand nombre, de telles flambées se révèlent dangereuses et peuvent endommager le gril.

- Évitez ce genre de flambées en préchauffant le gril, avec son couvercle fermé pendant 5 minutes au réglage de grande flamme pour brûler la graisse de grillades précédentes.
- Faites cuire avec le couvercle fermé et surveillez constamment la cuisson pour feux de friture et flambées soudaines.
- Parer le gras excédentaire des viandes minimise les feux de friture et les flambées soudaines. Faites cuire la viande grasse par petites quantités sur feu indirect, à feu doux.
- Observez rigoureusement les instructions données sous la rubrique «Nettoyage, soins et entretien».

Modes de cuisson

Cuisson directe:

- La source de chaleur se trouve directement sous les aliments.
- Pratique pour rissoler la viande et cuire hot dogs et hamburgers, il est nécessaire de souvent vérifier le degré de cuisson.
- Utilisez-la pour les aliments poêlés ou sautés, en ayant soin de réduire la quantité d'huile utilisée et la température de cuisson.
- Faites cuire les rôtis, les dindes ou les canards à feu doux. Placez la viande et de l'eau dans un plat d'aluminium à fond ondulé; rajoutez de l'eau au besoin.

Cuisson indirecte:

- N'allumez qu'un brûleur et faites cuire les aliments sur la grille du côté opposé.
- Les aliments cuisent ainsi à une température plus basse, ce qui les rend plus tendres et réduit les flambées.
- Cette méthode de cuisson est tout spécialement recommandée pour les aliments qui brûlent facilement (légumes, poisson, etc.).
- Faites cuire les repas tout en un dans des plats allant au four ou en aluminium, tout comme s'il s'agissait d'un four de cuisinière ordinaire.
- Essayez, en outre, de placer un plat contenant de l'eau au-dessus du brûleur allumé afin que la viande reste juteuse et moelleuse. Rajoutez de l'eau lorsque nécessaire.

Nettoyage, soins et entretien

PLATEAU À GRAISSE

Le plateau à graisse se trouve sous le gril; il doit être nettoyé de temps à autre afin que les débris ne s'y accumulent pas. (Fig. 32)

REMARQUE: Laissez refroidir le plateau avant de le nettoyer.

Important: Ne laissez le gril dehors par mauvais temps que s'il est couvert (housse vendue séparément). Si le gril n'est pas couvert, l'eau de pluie peut couler dans la carrosserie ou dans le plateau à graisse. Si le plateau à graisse n'est pas nettoyé après l'utilisation et si le gril est découvert, il se remplira d'eau; eau et graisse déborderont alors. Nous conseillons de nettoyer le plateau après chaque emploi.

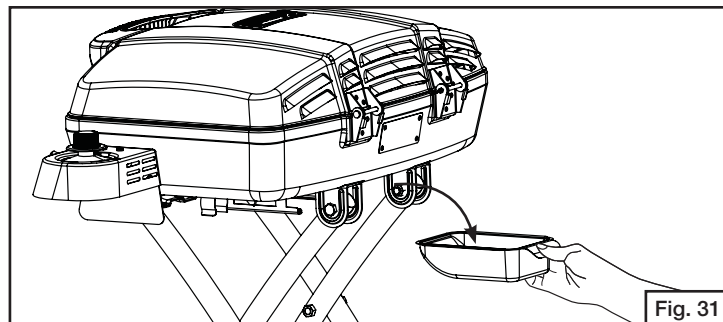


Fig. 31

GRILLE DE CUISSON

La grille de cuisson peut être nettoyée immédiatement après que la cuisson soit terminée et après que le gril ait été éteint. Portez une mitaine de barbecue et frottez la grille de cuisson à l'aide d'un linge humide. Si vous laissez le gril refroidir, il sera plus facile de nettoyer la grille en l'enlevant du gril et en la nettoyant avec du savon doux.

⚠ ATTENTION

Le nettoyage et l'entretien ne doivent être effectués que lorsque le gril est froid et l'alimentation en gaz fermée au niveau de la bouteille. Séparez toujours la bouteille de propane jetable du gril avant d'entreprendre le nettoyage.

Produits de nettoyage suggérés:

- Détergent liquide doux pour vaisselle
- Eau chaude
- Grattoir
- Brosse métallique
- Trombone
- Tampon nettoyeur en nylon
- Brosse douce à poils de laiton
- Couteau à mastiquer

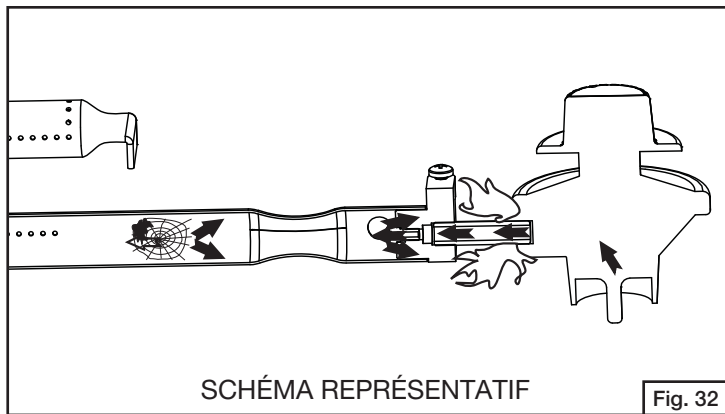
Nettoyage des éléments:

- BRÛLEUR: Éliminez la corrosion de la surface du brûleur avec une brosse métallique. Nettoyez les trous des brûleurs obstrués avec un trombone redressé. Remplacez les brûleurs rouillés ou endommagés qui pourraient dégager trop de gaz.
- GRILLES DE CUISSON: Nettoyez-les au savon doux et à l'eau chaude. Éliminez les résidus tenaces avec un nettoyeur doux ou une brosse. N'employez surtout PAS de nettoyeur commercial pour fours.
- INTÉRIEUR DU GRIL: Enlevez les grilles. Raclez les parois et enlevez l'excédent de graisse ainsi que les résidus de la cuisson.

Nettoyage du diffuseur

⚠ AVERTISSEMENT

Toiles d'araignées et nids de guêpes en boue dans le diffuseur peuvent provoquer un incendie à la valve. En cas d'incendie, fermez immédiatement l'alimentation en gaz au robinet de la bouteille (voyez le schéma, Fig. 33).

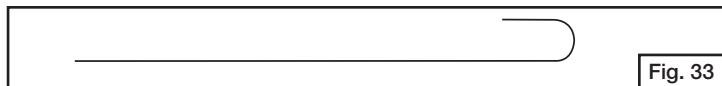


Remarque:

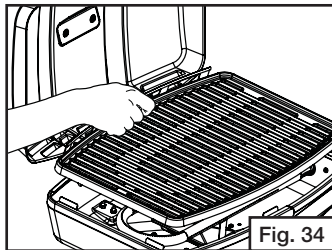
Des araignées et de petits insectes peuvent se construire des toiles et des nids à l'intérieur des tubes du diffuseur. Ceci peut se produire plus particulièrement à la fin de l'été et de l'automne avant le gel, lorsque les araignées sont le plus actives. Ces nids peuvent obstruer la circulation du gaz et provoquer un feu à l'intérieur et autour du bouton de commande du brûleur. Examinez souvent (une ou deux fois par mois) les tuyaux du diffuseur et nettoyez-les au besoin pour assurer une bonne circulation de la chaleur. REMARQUE: Normalement, l'eau ou l'air sous pression n'ont aucun effet sur les toiles d'araignées.

Nettoyage du diffuseur:

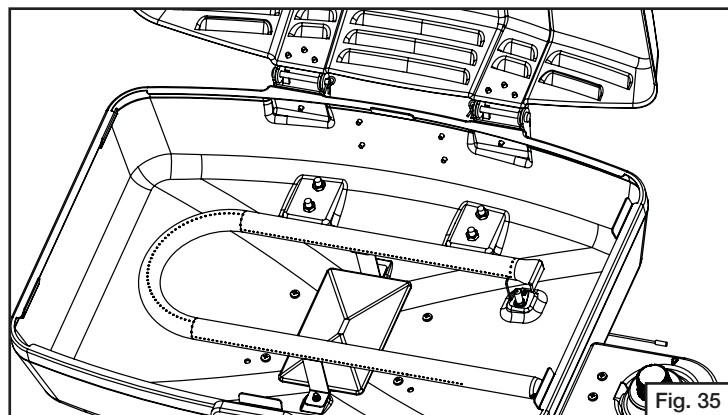
1. Pour éliminer les obstructions citées ci-haut, servez-vous d'une brosse flexible à diffuseur ou bien faites un petit crochet à un bout d'un fil de fer flexible de 52 cm de long (voyez la fig. 33).



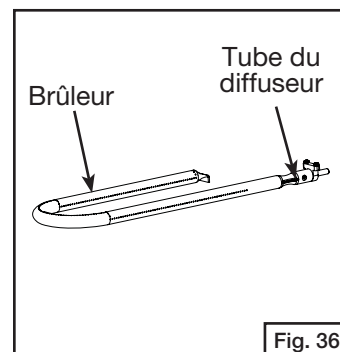
2. Retirez les grille de cuisson et mettez-les de côté. (Fig. 34)



3. À l'aide d'un tournevis, enlevez les vis autofileteuses retenant les clames du brûleur sous le boîtier et enlevez le brûleur. (Fig. 35)



4. Regardez à l'intérieur de l'extrémité la plus basse du tube du diffuseur pour voir s'il y a des nids, des toiles d'araignée ou de la boue. Si vous en trouvez, nettoyez tel qu'expliqué à l'étape 1, Fig. 33.
5. Examinez et nettoyez le brûleur, si nécessaire.
6. Remplacez le brûleur et les clames du brûleur en vous assurant que le brûleur est en position de fonctionner
7. Assurez-vous que les attaches de l'orifice sont à l'intérieur du tube du diffuseur, resserrez ensuite toutes les vis autofileteuses. (Fig. 36)



Déplacement et remisage

⚠ ATTENTION

Comme avec tout autre article en métal, une collision avec le gril peut blesser. Déplacez très prudemment le gril à gaz portatif.

Déplacement du gril:

- NE déplacez PAS le gril alors qu'il est allumé ou chaud, ou s'il y a des aliments sur la surface de cuisson.
- Pour ne pas renverser de graisse, videz et nettoyez le plateau à graisse avant de déplacer le gril.
- Repliez le gril avant de le déplacer.
- Déplacez lentement le gril. Ne courez PAS et ne tirez pas le gril derrière vous, il pourrait vous heurter et vous blesser.

Après avoir déplacé de gril:

- Vérifiez l'étanchéité de toutes les connexions de gaz, au cas où elles se seraient desserrées durant le déplacement.
- Assurez-vous que le diffuseur soit bien placé sur les trous.

Avant de remiser le gril:

- Nettoyez le gril, y compris le plateau à graisse.
- Enduisez le brûleur d'une légère pellicule d'huile de cuisson afin de l'empêcher de rouiller.
- Ne convient qu'au plein air. Si vous remisez le gril à l'intérieur, détachez la bouteille de propane à l'air libre. Si vous laissez le gril dehors, couvrez-le pour le protéger des éléments. Les détaillants et fabricants de grils vendent des housses valables.

Dépannage

Problème: L'allumeur n'allume pas le gril ou il n'y a qu'une flamme partielle.

Raisons possibles et solutions:

1. Il n'y a pas de gaz. Vérifiez qu'il y ait du gaz dans la bouteille.
2. Assurez-vous que le brûleur est allumé. Attendez jusqu'à quatre secondes pour que le gaz qui circule s'allume.
3. Si le brûleur s'allume avec une allumette mais pas avec l'allumeur, vérifiez la position de l'électrode en céramique près du brûleur, l'état du fil d'allumage et de ses connexions. Essayez l'allumeur et remplacez toute pièce endommagée.
4. Vérifiez qu'il n'y ait ni toiles d'araignées ni nids d'insectes dans le diffuseur; nettoyez ce dernier au besoin.
5. Vérifiez la concordance du diffuseur et des trous. Positionnez correctement le diffuseur sur les trous si nécessaire.
6. Les têtes, orifices ou le bouton de commande du brûleur sont bloqués. Nettoyez-les.
7. Il y a une défaillance du régulateur. Le régulateur de pression ne doit être remplacé que par un dépanneur agréé.
8. Assurez-vous que le régulateur et la bouteille de propane soient convenablement assemblés. Voyez la rubrique «Mise en place d'une bouteille de propane de 465 g».

Problème: La flamme est jaune.

Raisons possibles et solutions:

1. Vérifiez qu'il n'y ait ni toiles d'araignées ni nids d'insectes dans le diffuseur; nettoyez ce dernier au besoin.
2. Le brûleur neuf peut présenter des résidus d'huile qui brûleront.
3. Éliminez particules d'aliments, graisse et sel aux épices du brûleur.
4. Vérifiez le diffuseur, il faut peut-être le positionner correctement au-dessus des trous.

Problème: La flamme s'éteint à feu bas ou la chaleur est irrégulièrement répartie.

Raisons possibles et solutions:

1. Vérifiez qu'il n'y ait ni toiles d'araignées ni nids d'insectes dans le diffuseur; nettoyez ce dernier au besoin.
2. Le gril froid doit être préchauffé 5 minutes à grand feu.
3. Vérifiez le diffuseur, il faut peut-être le positionner correctement au-dessus des trous.
4. Par suite du froid ou du vent, il est nécessaire que vous déplaciez le gril pour le mettre à l'abri du vent.
5. Il n'y a pas de gaz. Vérifiez qu'il y ait du gaz dans la bouteille.

Problème: Le gril est trop chaud.

Raisons possibles et solutions:

1. Il se produit trop de flambées soudaines. L'entretien décrit sous la rubrique «En cas de feu de friture» s'impose.
2. Un orifice ou régulateur endommagé doit être remplacé, ceci, uniquement par une pièce agréée par l'usine.
3. La graisse s'est accumulée dans le gril; il est nécessaire d'enlever la graisse et de vider le plateau à graisse.
4. Choisissez une température de cuisson plus basse si vous utilisez un grand feu.

Problème: Il y a le feu à une connexion.

Raisons possibles et solutions:

Fermez IMMÉDIATEMENT le bouton de commande et attendez que le gril refroidisse.

1. Le gaz fuit à une connexion défectueuse. Serrez les connexions avec une clé à ouverture variable et remplacez les pièces endommagées. Vérifiez l'herméticité de tous les raccordements à l'eau savonneuse avant de recommencer à employer le gril.

Problème: Il y a des flammes derrière le tableau de commande ou à proximité des boutons de commande.

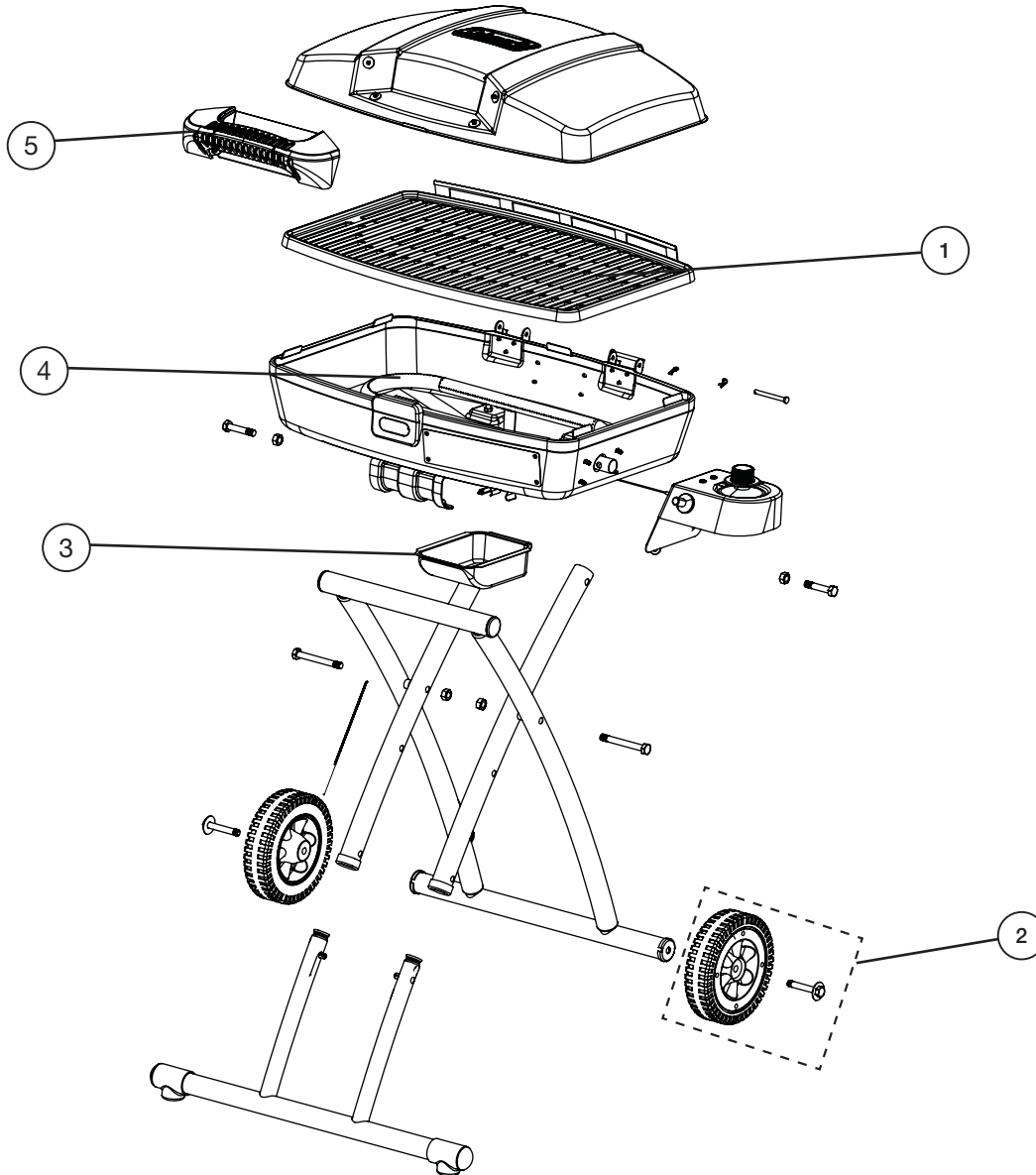
Raisons possibles et solutions:

Fermez IMMÉDIATEMENT le bouton de commande et attendez que le gril refroidisse.

1. Vérifiez qu'il n'y ait ni toiles d'araignées ni nids d'insectes dans le diffuseur; nettoyez ce dernier au besoin.
2. Le gaz fuit à une connexion défectueuse. Serrez les connexions à la main et remplacez les pièces endommagées. Vérifiez l'herméticité de tous les raccordements à l'eau savonneuse avant de recommencer à vous servir du gril.
3. Vérifiez le diffuseur, il faut peut-être le positionner correctement au-dessus des trous.

Nomenclature – Série 9955

1	200007426	Grille
2	9949-2401	Assemblage des roues
3	5010000823	Plateau ramasse-gouttes
4	5010000822	Brûleur et diffuseur de chaleur
5	5010000824	Assemblage de la poignée



Garantie limitée de trois ans

The Coleman Company, Inc. (« Coleman ») garantit cet article contre tout vice de matériau et de fabrication pendant une période de trois (3) ans courants à compter de la date de l'achat. Coleman se réserve le droit de choisir entre réparer ou remplacer cet article ou toute pièce de celui-ci dont la défectuosité a été constatée au cours de la période de garantie. Le remplacement se fera au moyen d'un produit neuf ou remanufacturé ou bien d'une pièce neuve ou remanufacturée. Si l'article n'est plus disponible, il sera remplacé par un article semblable, de valeur égale ou supérieure. La présente constitue votre garantie exclusive.

Cette garantie n'est valable que pour l'acheteur au détail original à partir de la date de l'achat au détail initial et elle n'est pas transférable. Veuillez conserver le reçu d'achat original. La preuve d'achat est exigée pour tout service couvert par la garantie. Les concessionnaires Coleman, les centres de service et les détaillants qui vendent des articles Coleman® n'ont pas le droit d'altérer, de modifier ou de changer d'une manière quelconque les modalités de cette garantie.

Ce que ne couvre pas cette garantie

Cette garantie ne couvre pas l'usure normale des pièces, les pièces autres que les pièces authentiques Coleman® ou l'endommagement attribuable à toute raison suivante: à la négligence, à l'utilisation abusive du produit, à l'utilisation commerciale du produit, au non-respect du mode d'emploi, au démontage et à la réparation ou à l'altération par quiconque, sauf Coleman ou un centre de service agréé Coleman. Cette garantie ne couvre pas non plus les cas de force majeure comme incendies, inondations, ouragans et tornades. La garantie est automatiquement annulée si l'endommagement du produit découle de l'utilisation d'une pièce autre qu'une pièce de marque Coleman®.

COLEMAN N'ASSUME AUCUNE RESPONSABILITÉ POUR LES VICES RÉSULTANT DE L'EMPLOI DE PIÈCES NON AUTORISÉES OU DE RÉPARATIONS EXÉCUTÉES PAR UN PERSONNEL NON AUTORISÉ. COLEMAN DÉCLINE TOUTE RESPONSABILITÉ EN CAS DE DOMMAGES ACCESSOIRES OU INDIRECTS RÉSULTANT DU NON-RESPECT DE TOUTE GARANTIE OU CONDITION EXPLICITE OU IMPLICITE. SAUF DANS LA MESURE INTERDITE PAR LA LÉGISLATION PERTINENTE, TOUTE GARANTIE IMPLICITE DE QUALITÉ COMMERCIALE OU D'APPLICATION À UN USAGE PARTICULIER EST LIMITÉE À LA DURÉE DE LA GARANTIE OU CONDITION CI-DESSUS. CERTAINS ÉTATS ET CERTAINES PROVINCES OU JURIDICTIONS INTERDISENT D'EXCLURE OU DE LIMITER LES DOMMAGES ACCESSOIRES OU INDIRECTS, OU NE PERMETTENT PAS LA LIMITATION DE LA DURÉE D'APPLICATION DE LA GARANTIE IMPLICITE, DE SORTE QUE VOUS POUVEZ NE PAS ÊTRE ASSUJETTI AUX LIMITES OU EXCLUSIONS ÉNONCÉES CI-DESSUS. CETTE GARANTIE VOUS CONFÈRE DES DROITS JURIDIQUES PRÉCIS ET VOUS POUVEZ AVOIR D'AUTRES DROITS, CES DROITS VARIANT D'UN ÉTAT OU D'UNE PROVINCE À L'AUTRE.

Comment obtenir le service prévu par la garantie

Apportez l'article à un Centre de service agréé Coleman. Pour obtenir l'adresse du plus proche centre de service agréé Coleman, visitez le www.coleman.com ou bien composez le 1-800-835-3278 ou le ATS 1-316-832-8707 aux États-Unis, le 1-800-387-6161 au Canada. S'il n'y a pas de centre de service facile d'accès, fixez une étiquette sur l'article précisant vos nom, adresse, numéro de téléphone le jour et la description de la défectuosité. Veuillez inclure une copie du reçu d'achat original. Emballez soigneusement le produit et envoyez le colis en port et assurance payés, par messageries ou autre service, avec valeur déclarée, à l'une des adresses suivantes :

Pour les produits achetés aux États-Unis:

The Coleman Company, Inc.
3600 North Hydraulic
Wichita, KS 67219 U.S.A.

Pour les produits achetés au Canada:

Sunbeam Corporation (Canada) Limited
DBA Jarden Consumer Solutions
20B Hereford Street
Brampton, ON L6Y 0M1

Les frais de transport du produit à Coleman ou à un centre de service agréé, en vue de la réparation sous garantie du produit, incombent à l'acheteur.

N'envoyez pas de produits dont le réservoir contienne du carburant ou bien auxquels soit fixée un bouteille jetable de propane.



NE RETOURNEZ PAS CE PRODUIT AU LIEU D'ACHAT.

Si vous avez toute question quant à cette garantie, veuillez composer le 1-800-835-3278 ou le ATS 1-316-832-8707 aux États-Unis, et le 1-800-387-6161 au Canada.

Garantie, service et pièces
Repérez les numéros de modèle et de série sur
l'étiquette apposée sur le gril.



The Coleman Company, Inc. • 3600 North Hydraulic • Wichita, KS 67219 U.S.A.
1-800-835-3278 • TDD: 1-316-832-8707

© 2010 The Coleman Company, Inc. Tous droits réservés. Coleman®, ,  et RoadTrip® sont des marques déposées, alors que InstaStart™ est une marques de commerce de The Coleman Company, Inc.



Barbacoa de Gas

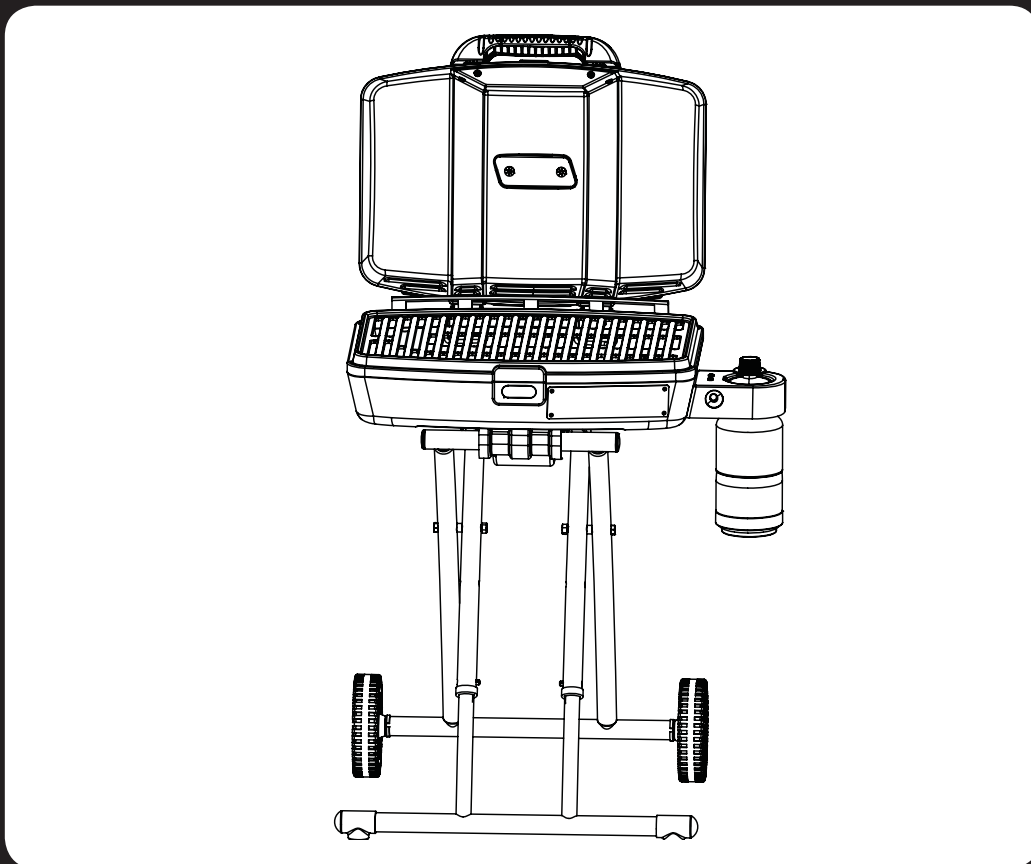
Manual de Uso, Cuidado Y Ensamblaje

Con Instrucciones de cómo Encender la Parrilla

Modelo 9955 Series (LP Gas)

ENSAMBLADOR/INSTALADOR:
Deje estas instrucciones con el consumidor.

CONSUMIDOR/USUARIO:
Lea todas las instrucciones y consérvelas en un lugar seguro para referencia en el futuro.



www.coleman.com

NOTA:
El cilindro de propano no está incluido.

IMPORTANTE

Lea cuidadosamente este manual antes de ensamblar, usar o darle servicio a esta parrilla. Conserve este manual para referencia en el futuro. Si usted tiene alguna pregunta acerca del ensamblaje, funcionamiento, servicio o reparaciones de esta parrilla, por favor llame a Coleman al 1-800-835-3278 ó TDD: 1-316-832-8707. En Canadá llame al 1-800-387-6161.

Solamente Para Uso Al Aire Libre

Contenido

Contenido.....	1
Características Técnicas.....	1
Información General de Seguridad	1
Instalación General.....	2
Cilindros para la Barbacoa de Gas L.P. Portátil	2
Características de la Parrilla.....	3
Ensamblaje de la Parrilla	4
Instale el Cilindro de Propano de 1lb. (.45 kg)	5
Quemador y Orificio	5
Comprobación de Fugas - Cilindros de Gas LP Desechables.....	5
Como Verificar por Fugas.....	5
Reparando Una Fuga de Combustible.....	6
Lista de Comprobación Inicial.....	6
Instrucciones Para Encender	6
Encendiendo los Quemadores	7
Apagando la Parrilla	7
Uso General y Llamas Correctas en el Quemador.....	7
Sugerencias y Consejos para Asar	8
En Caso de un Fuego de Grasa	8
Métodos para Cocinar.....	9
Cuidado, Mantenimiento y Limpieza.....	9
Limpieza del Venturi	9
Transporte y Almacenaje.....	10
Solución de Problemas	11
Lista de Piezas de Reemplazo — Series 9955.....	12
Garantía	13

Características Técnicas

Entrada: 1 tubo quemador de 11 000 BTU/h
Categoría: Propano con presión regulada
Combustible: cilindros de propano desechables de 16.4 oz. (.46 kg.).
Regulador: debe utilizarse 9955

Información General de Seguridad

Este manual contiene información importante acerca del ensamblaje, funcionamiento y mantenimiento de este producto y sistema. Se presenta información general de seguridad en estas primeras páginas y también se encuentra a través del manual. Debe prestar particular atención a la información acompañada por los símbolos de alerta de seguridad:

“**⚠ PELIGRO**”, “**⚠ ADVERTENCIA**”, “**⚠ PRECAUCIÓN**”.

Guarde este manual para referencia en el futuro y para educar a nuevos usuarios de este producto. Este manual debería leerse en conjunto con la etiqueta en el producto.

Las medidas de seguridad son esenciales cuando algún equipo mecánico o abastecido por propano está implicado. Estas precauciones son necesarias al usarla, guardarla y darle servicio. Usar este equipo con el respeto y la precaución exigida reducirá las posibilidades de herida personal o daño a la propiedad.

Los siguientes símbolos mostrados abajo se usan extensivamente a través de este manual. Siempre preste atención a estas precauciones, puesto que son esenciales cuando se usa cualquier equipo mecánico o abastecido por combustible.

⚠ PELIGRO

PELIGRO indica una situación inminentemente arriesgada que, si no se evita, resultará en muerte o lesiones graves.

⚠ ADVERTENCIA

ADVERTENCIA indica una situación inminentemente arriesgada que, si no se evita, podría resultar en muerte o lesiones graves.

⚠ PRECAUCIÓN

PRECAUCIÓN indica una situación inminentemente arriesgada que, si no se evita, puede resultar en lesiones personales menores o leves o daño a la propiedad.

⚠ PELIGRO

Si usted huele gas:

- 1. Corte el flujo de gas al aparato.**
- 2. Extinga cualquier llama abierta.**
- 3. Abra la tapa.**
- 4. Si el olor continua, manténgase alejado del aparato y llame inmediatamente a su suplidor de gas o a su departamento de bomberos.**

⚠ PELIGRO

- 1. No almacene ni use gasolina ni cualquier otro líquido ni vapor inflamable alrededor de este, ni de ningún otro aparato.**
- 2. Un cilindro de LP (propano líquido) que no esté conectado para ser usado nunca debe ser guardado alrededor de este, ni de ningún otro aparato.**

PROPOSICIÓN 65 DE CALIFORNIA:

ADVERTENCIA: subproductos de combustión producidos cuando se está usando este producto contienen productos químicos conocidos en el Estado de California como causantes de cáncer, efectos de nacimiento u otros peligros al sistema reproductivo.

⚠ PELIGRO

- **SOLAMENTE PARA USO AL AIRE LIBRE. NUNCA** haga funcionar la parrilla en áreas cerradas ya que esto podría ocasionar una acumulación de gas desde una fuga, causando una explosión o una concentración de monóxido de carbono que podría resultar en lesiones o muerte. **NO** la use en garajes, pasillos, cobertizos ni en ningún área encerrada.
- **NO ES PARA SER USADA POR NIÑOS.**
- ¡Si se ignoran éstas instrucciones un fuego peligroso o explosión podría resultar en lesiones físicas, muerte o daño a la propiedad!

⚠ ADVERTENCIA

- **NO** mueva la parrilla mientras está encendida.
- Mantenga el área donde se encuentra el aparato para cocinar al aire libre despejada y libre de materiales combustibles, gasolina y otros vapores inflamables y líquidos.

⚠ ADVERTENCIA

- NUNCA use briquetas de carbón o fluido para encender una parrilla de gas.
- Parrilla se pone caliente cuando está en uso; para evitar quemaduras, No toque ninguna superficie caliente de la parrilla. Mantenga a los niños y a los animales domésticos lejos de la parrilla caliente.
- NUNCA deje desatendida la parrilla mientras se esté usando.
- Es su responsabilidad el ensamblar, instalar, hacer funcionar y cuidar su parrilla de gas apropiadamente.
- NO use la parrilla de gas en interiores.
- En algunas circunstancias, el propano puede perder el olor distintivo que fue añadido. Otros olores fuertes pueden encubrir o disfrazar el olor del propano. Resfriados, alergias, congestión de sinusitis y el uso del tabaco, alcohol o las medicinas pueden impedir su capacidad para detectar el olor del propano.

Instalación General

- La instalación debe seguir los códigos locales o, en ausencia de códigos locales, ya sea con el Código de Gas de Combustible Nacional, ANSI Z223.1/NFPA 54, Código de Instalación de Propano y Gas Natural, CSA B149.1, o el Código de Almacenamiento y Manejo del Propano, CSA B149.2, según se aplique.
- Para comprobar los códigos locales, vea a su distribuidor de gas L.P. local o a su compañía de gas listada en las Páginas Amarillas para saber los procedimientos y regulaciones recomendadas para la instalación.

⚠ ADVERTENCIA

Este aparato no debe ser instalado en o sobre ningún vehículo de recreación y/o bote.

Siga estas reglas de seguridad antes de cada uso:

1. Debe mantenerse una separación mínima de 60 cm entre las partes izquierda, derecha y posterior de la parrilla y todo tipo de edificación combustible, por ejemplo una construcción con revestimiento de madera.
2. No coloque nunca la parrilla debajo de materiales combustibles sin protección o salientes.
3. No obstruya el flujo de aire de ventilación y combustión.
4. La parrilla debe estar nivelada y no debe ser colocada enfrentando directamente al viento.

⚠ ADVERTENCIA

Un cilindro de LP (Propano Líquido) que no esté conectado para ser usado con esta barbacoa de gas no debe ser nunca guardado alrededor de este, ni de ningún otro, aparato.

Las conexiones deben cumplir con los requisitos locales y son la responsabilidad exclusiva de la persona que está realizando el trabajo.

⚠ ADVERTENCIA

- NO intente hacerle ajustes al regulador ya que esto podría crear una situación causando lesión personal o daño a la propiedad.

Cilindros para la Barbacoa de Gas L.P. Portátil

El gas de Petróleo líquido (abreviado gas o propano L.P.), es altamente inflamable. Este se convierte en líquido cuando se guarda bajo alta presión dentro del cilindro y se vaporiza cuando se dispersa. El gas L.P. es más pesado que el aire y tiende a acumularse en áreas bajas. Es importante que no haya ninguna fuga en las conexiones en su parrilla de gas que pueda causar un fuego o una explosión (vea la sección titulada "COMPROBACION DE FUGAS").

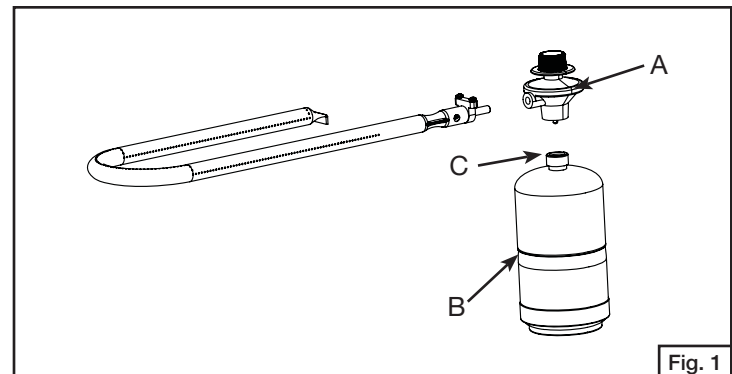
Las parrillas portátiles a gas licuado necesitan un sistema de alimentación de combustible compuesto por un regulador ajustable [A] y un cilindro de alimentación de gas licuado [B]. (Fig. 1) La ilustración de la Fig. 1 sólo tiene fines descriptivos.

Especificaciones del Cilindro

- Todos los cilindros de gas L.P. que se usen con este aparato deben ser construidos y marcados de acuerdo con las Especificaciones para los cilindros de gas L.P. del Departamento de Transporte de Estados Unidos (DOT por sus siglas en inglés) o las Normas Nacionales de Canadá, CAN/CSA-B339, Transporte de Mercancía Peligrosa, Cilindros, Esferas y Tubos; y Comisión, según se aplique; y un dispositivo de conexión del cilindro compatible con la conexión para aparatos para cocinar al aire libre.
- Lea las etiquetas en el Cilindro de Suministro de Gas L.P.

⚠ ADVERTENCIA

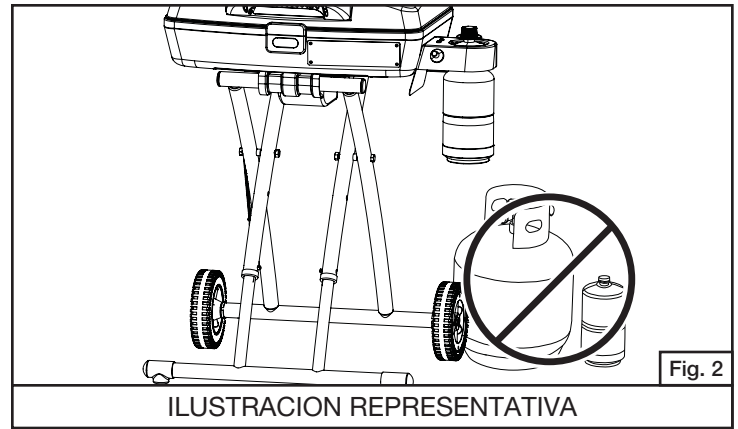
Su nueva parrilla de barbacoa está equipada con un regulador CGA # 600 [A]. NO intente conectar este regulador a ningún otro cilindro L.P. desechable que no esté equipado con un acoplamiento CGA # 600 unión [C]. Esta parrilla puede ser usada solamente con el regulador de presión incluido con esta unidad, o reguladores de presión especificados por Coleman para uso con esta unidad. Los reguladores de repuesto deben solamente aquellos especificados por Coleman. (Fig. 1)



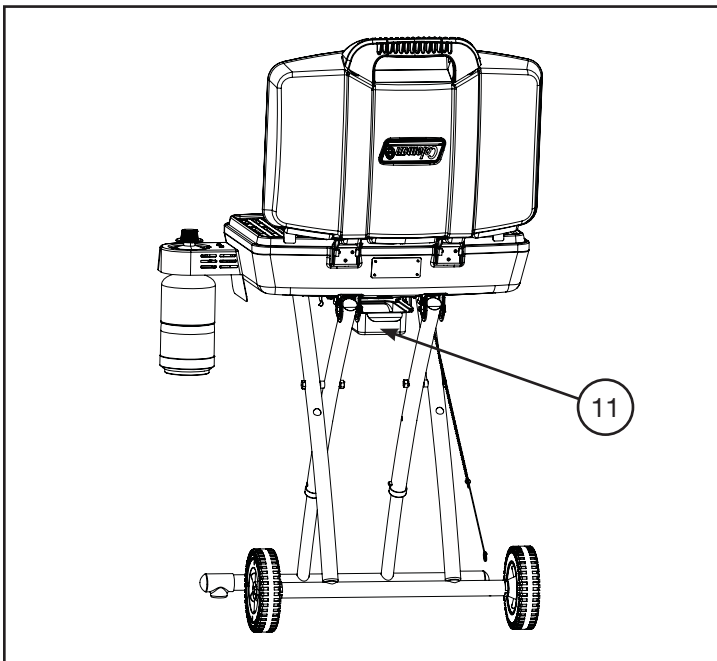
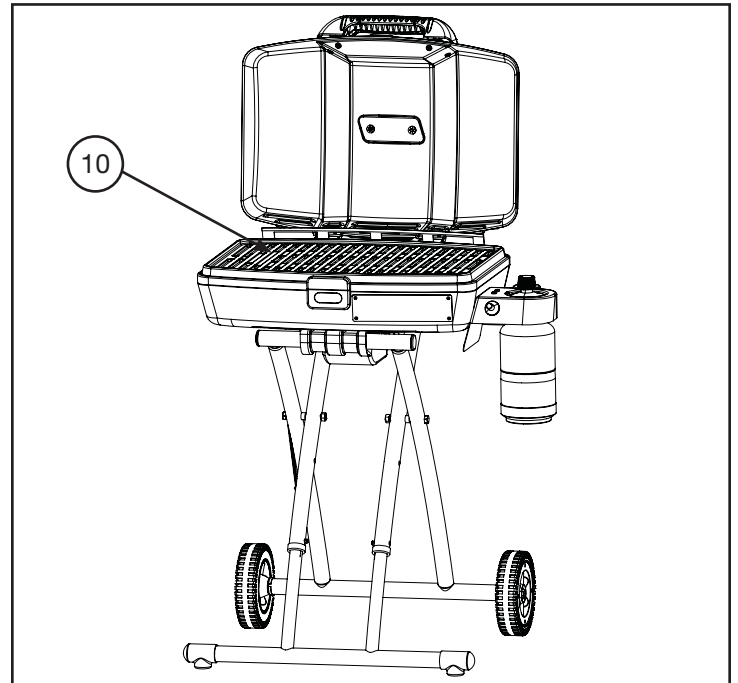
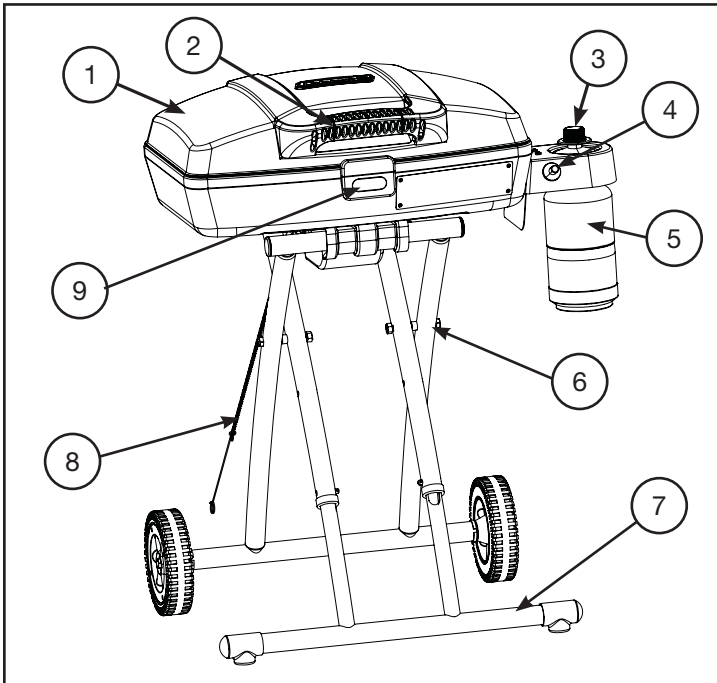
⚠ PELIGRO

- NUNCA almacene un cilindro de alimentación de gas licuado de repuesto debajo del cuerpo de la parrilla o cerca de algún aparato que genere calor. (Fig. 2)

El no seguir esta información exactamente podría resultar en una explosión y/o fuego causando muerte o lesiones graves.



Características de la Parrilla



1. Tapa de la parrilla
2. Manija de la tapa
3. Regulador con perilla de mando
4. Encendedor electrónico
5. Cilindro desechable (no se incluye)
6. Patas con ruedas
7. Manija de remolque
8. Prolongador para cerillas (almacenado en la pata)
9. Pestillo de desenganche de la tapa
10. Superficie de la parrilla/cocción
11. Bandeja de goteo

Ensamblaje de la Parrilla

IMPORTANTE: Saque todo el material de embalaje antes de ensamblar/usar.

Ensamble las Ruedas y el Asa para Remolcar

- Retire la parrilla, las ruedas, las patas y la manija del paquete.
- Inspeccione todo el empaque y saque todas las piezas.
- Vea el cartón para saber que piezas están incluidas con su unidad. Ensamble las ruedas a la base de la parrilla. Instale cada rueda al eje usando un perno y dos arandelas. (Fig. 3 y Fig 4)

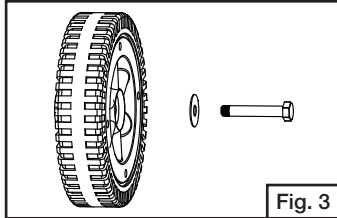


Fig. 3

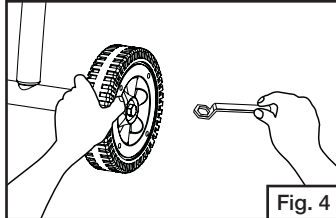


Fig. 4

NOTA:

No se suministra una llave.



- Extienda los tubos telescópicos hasta la manija de remolque. Oprima los botones de la manija y presiónelos hasta que encajen en su lugar. (Fig. 5)
- Tape los extremos de los tubos extensibles con los casquillos provistos. (Fig. 6)

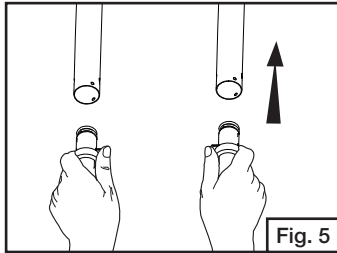


Fig. 5

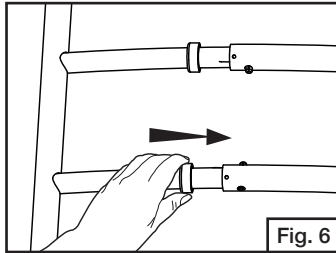


Fig. 6

- Inmovilice la manija de remolque y el soporte de la parrilla con pernos pivote, separadores y tuercas. (Fig. 7)
- Fije los extremos de la manija de remolque a la parrilla con pernos pivote y tuercas. (Fig. 8)

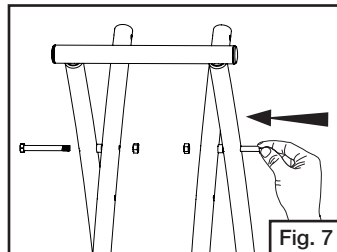


Fig. 7

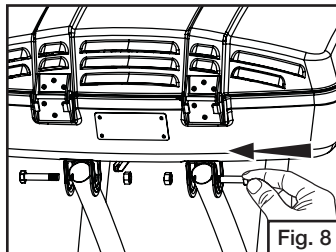


Fig. 8

- Una y otra vez que el asa está asegurada en su lugar, la parrilla se puede mover fácilmente a cualquier lugar dentro del área del campamento o su jardín trasero. (Fig. 9)

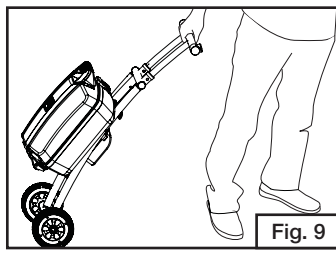


Fig. 9

Monte la Parrilla

- Apoye un pie en la manija de remolque, sujete la manija de la tapa y llévela hacia arriba hasta que la base esté completamente extendida. (Fig. 10)

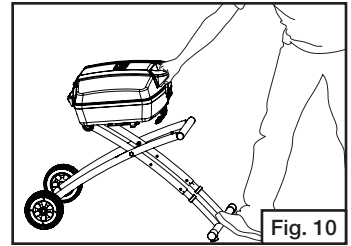


Fig. 10

- Continúe llevando la manija de la tapa hacia usted hasta extender la base por completo. (Fig. 11)

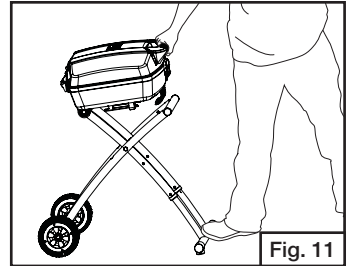


Fig. 11

- Baje la parrilla y deslícela hacia atrás hasta que las extensiones de las patas se aseguren en los soportes en la parte inferior del estante de la parrilla. (Fig. 12, Fig. 13 y Fig. 14)

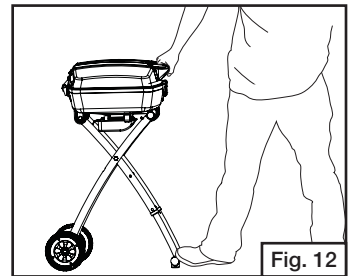


Fig. 12

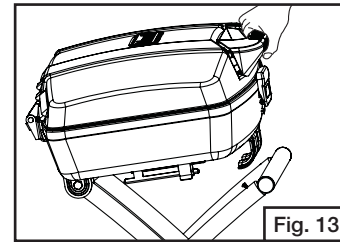


Fig. 13

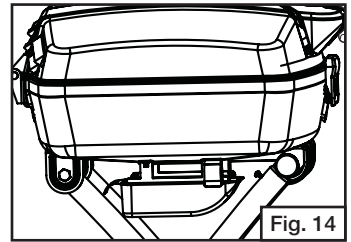


Fig. 14

Instale la Bandeja para Goteos

Instale la bandeja para goteos debajo de la parte trasera de la parrilla. (Fig. 15)

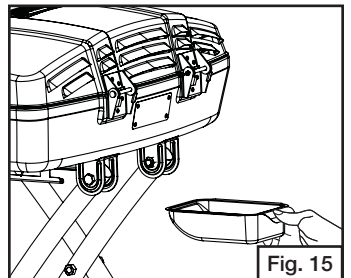


Fig. 15

Instalación de los cables del electrodo y de conexión a tierra

- Enchufe el conector eléctrico redondo en el enchufe redondo del extremo del encendedor eléctrico e introduzca el conector plano por el orificio del tubo del quemador; luego atorníllelos. (Fig. 16 y 17)

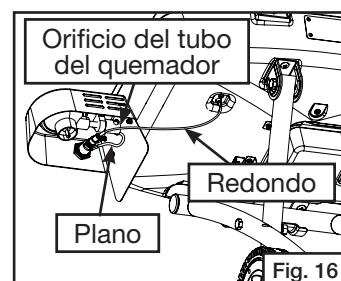


Fig. 16

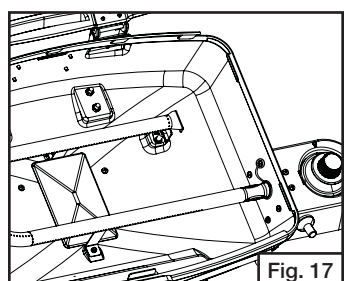


Fig. 17

Instale el Cilindro de Propano de 1lb. (.45 kg)

NOTA: Su parrilla Serie 9955 está diseñada desde la fábrica para usar un cilindro de propano desechable de 1 libra (.45 kg).

⚠ ADVERTENCIA

Sólo debe usar cilindros marcados "Propano".

⚠ ADVERTENCIA

¡Este procedimiento DEBE ser realizado sólo al Aire Libre! Lea y siga las direcciones en el cilindro.

⚠ PELIGRO

- NUNCA guarde un cilindro de suministro de gas L.P. de repuesto bajo el armazón de la parrilla ni dentro de la parrilla ni alrededor de ningún aparato que produzca calor.

El no seguir esta información exactamente podría resultar en una explosión y/o fuego causando muerte o lesiones graves.

⚠ PRECAUCIÓN

Enrosque solamente con la mano. NO use herramientas.

- Antes de conectar el cilindro de propano, asegúrese de que la perilla del quemador esté en la posición OFF (apagado). (Fig. 18)
- Quite el tapón plástico del cilindro de propano y enrosque el cilindro en el regulador apretándolo con la mano. (Fig. 19)

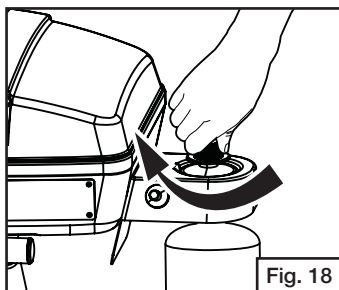


Fig. 18

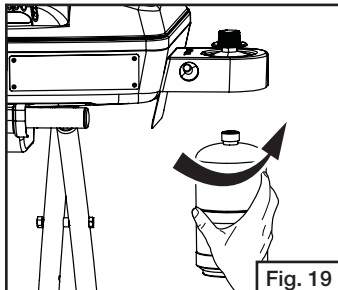


Fig. 19

- Para abrir la tapa, desengánchela de la manija y llévala hacia arriba. (Fig. 20)
- Coloque la rejilla de la parrilla sobre el quemador. (Fig. 21)

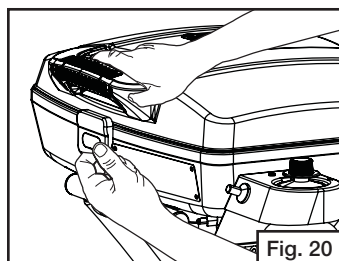


Fig. 20

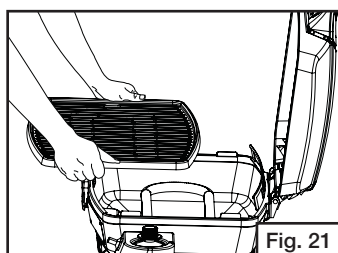


Fig. 21

Quemador y Orificio

- La posición correcta del quemador con respecto al orificio es importante. Para verificar la instalación correcta del tubo del quemador, revise debajo la cubierta del conjunto del regulador. El tubo del quemador debe estar colocado sobre el adaptador del orificio. Vea la Fig. 22 (no se ilustra la parte superior de la parrilla).

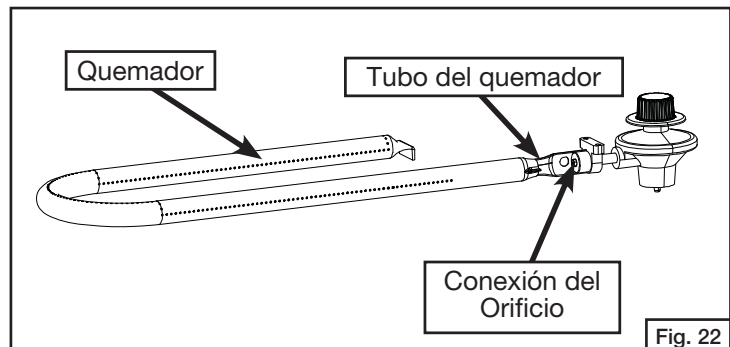


Fig. 22

- Verifique y limpie cualquier insecto o nido de insectos en los quemadores y tubos venturi. Un tubo tapado puede ocasionar un fuego debajo del aparato.

Comprobación de Fugas - Cilindros de Gas LP Desechables

⚠ PRECAUCIÓN

PARA PREVENIR RIESGOS DE FUEGO O EXPLOSIÓN:

- PROHIBIDO FUMAR. NO use o permita fuentes de ignición en el área mientras haga una comprobación de fuga.
- Haga la comprobación de fugas solo al aire libre.
- NUNCA haga una comprobación de fugas usando fuego o una llama.

Como Verificar por Fugas

1. Haga una solución jabonosa con partes iguales de detergente líquido suave para lavar platos y agua.
2. Lleve la perilla de mando del quemador a la posición OFF (apagado).
3. Aplique una solución jabonosa a las conexiones indicadas con las flechas. (Fig. 23) Si aparecen burbujas en estas áreas, esto indica una fuga.

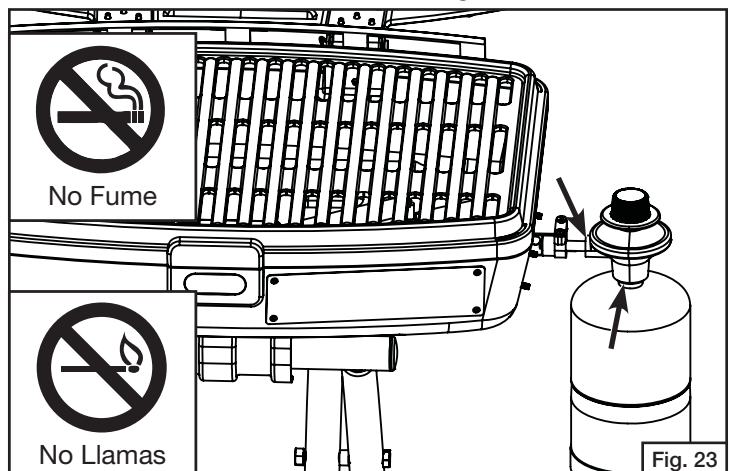


Fig. 23

Reparando Una Fuga de Combustible

Si usted detecta una fuga:

1. Pare la fuga apretando la conexión suelta, o sustituyendo la parte defectuosa con un repuesto recomendado por Coleman. NO intente reparar el cilindro si éste se daña; el cilindro DEBE ser reemplazado.
2. Si usted no logra parar una fuga, quite el cilindro de la parrilla. NO use la parrilla hasta que la fuga sea arreglada.

Cuando comprobar por fugas:

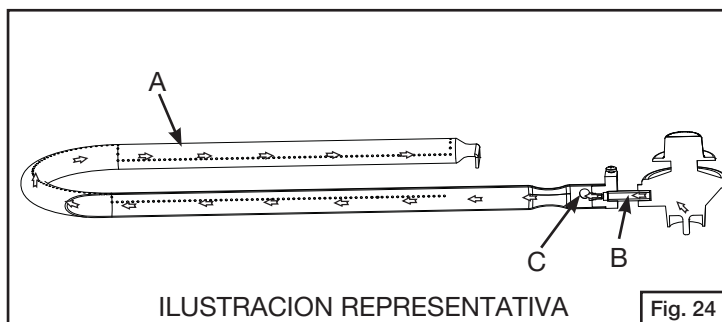
1. Haga una comprobación de fuga cada vez que el cilindro de suministro de gas sea conectado al regulador. Compruebe por fugas cada vez que una parte del sistema de gas sea reemplazada.

Lista de Comprobación Inicial

⚠ ADVERTENCIA

El no seguir éstos pasos de seguridad cada vez que use la parrilla podría resultar en un fuego el cual podría ser arriesgado para usted, su aparato o propiedad. Es sobre todo importante observar estos pasos después que la parrilla haya estado guardada, transportado o limpiada.

1. Compruebe regularmente los tubos venturi del quemador por bloqueos causado por nidos de insectos. Lea "Limpieza del Venturi" en la sección titulada "Cuidado, Mantenimiento y Limpieza", y también la sección titulada "Solución de Problemas".
2. Asegúrese de que el tubo del quemador [A] esté correctamente colocado sobre la salida del regulador [B]. El orificio [C] debe estar dentro del venturi. (Fig. 24)
3. Sólo use el tipo de gas especificado.
4. Mantenga la parrilla en una superficie nivelada.
5. Al inicio cerciórese que la bandeja para grasa esté limpia.



⚠ PRECAUCIÓN

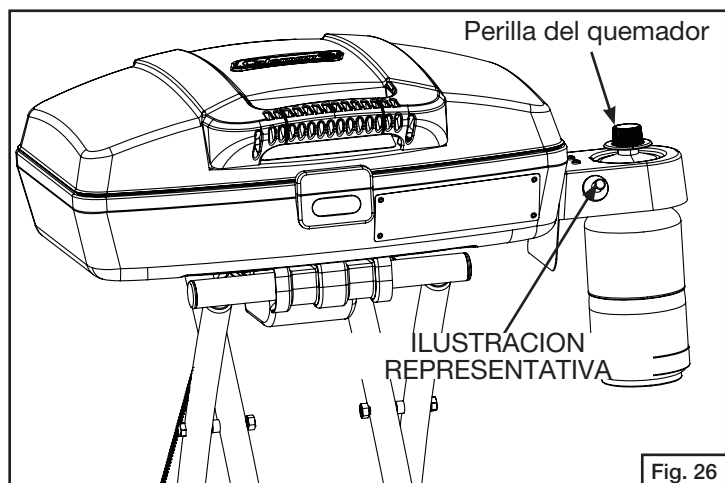
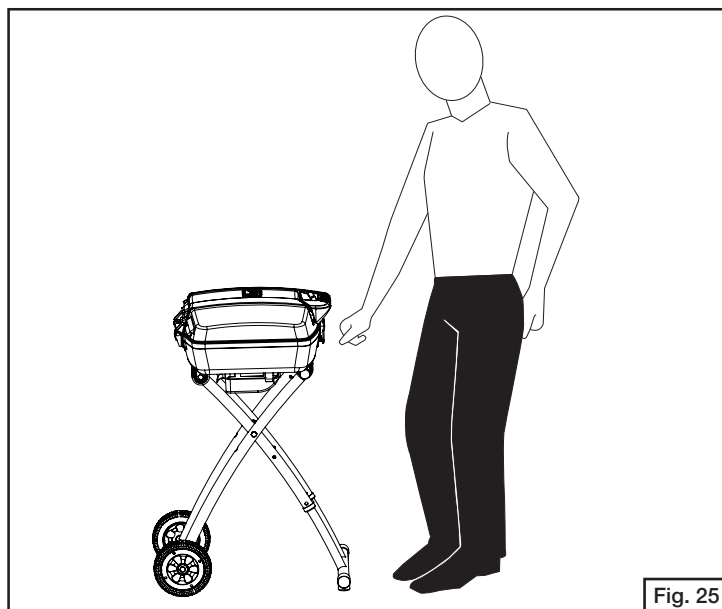
¡NO añada carbón o fluido para encender!

Instrucciones Para Encender

⚠ ADVERTENCIA

LAS SIGUIENTES REGLAS DEBEN SER SIEMPRE SEGUIDAS EN ESTE ORDEN (FIG. 25):

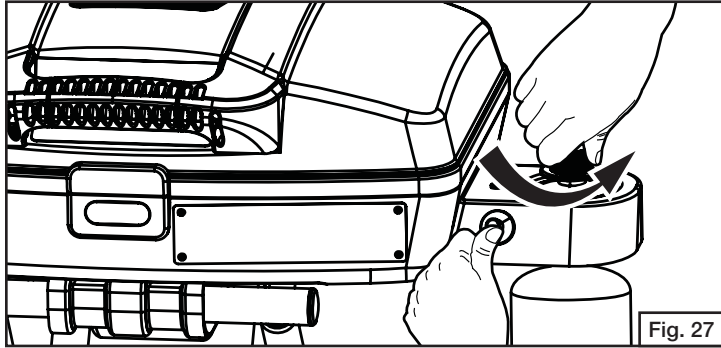
1. ¡ABRA LA TAPA DE LA PARRILLA! Cualquier intento en encender la parrilla con la tapa cerrada podría causar una explosión.
2. Asegúrese de que la perilla de mando del quemador esté en la posición "OFF" (apagado).
3. NO se pare con su cabeza o brazos sobre la parrilla.



Encendiendo los Quemadores

Encendido Electrónico INSTASTART™

1. Abra la válvula reguladora y presione el botón de encendido varias veces hasta encender el quemador.
Nota: Si no puede encender la parrilla con el encendedor, utilice una cerilla. Vea las instrucciones para encender la parrilla con una cerilla. Si la parrilla está mojada, el encendedor podría no generar una chispa.
2. Ajuste la llama con la válvula reguladora. (Fig. 26 y 27)

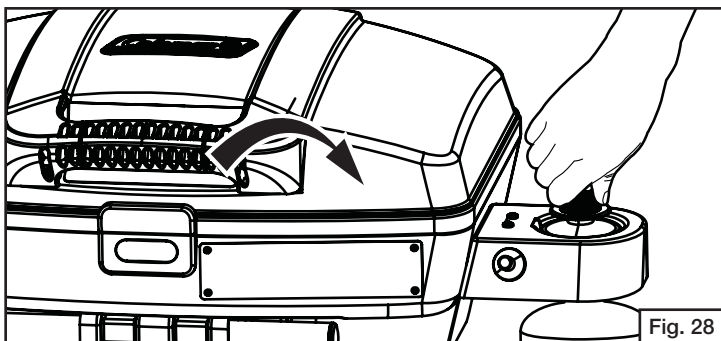


Encendido con Fósforos

1. Encienda el fósforo de madera largo (o use la extensión para fósforos o un encendedor de butano con extensión) y colóquelo a través de los espacios de las rejillas de la parrilla cerca de los orificios del quemador.
2. Presione y gire la perilla de mando en sentido antihorario para llevarla a la posición "HIGH" (alto). (Fig. 28)

⚠ PRECAUCIÓN

Utilice una cerilla de madera LARGA o un encendedor de butano con un prolongador. Si no tiene una cerilla o un encendedor de gran alcance, utilice el prolongador para cerillas. Introduzca una cerilla en el soporte del extremo del prolongador, encienda la cerilla y aproxímela al QUEMADOR abierto.

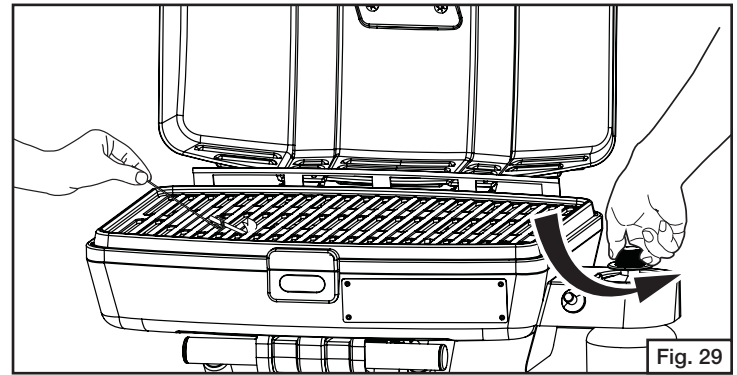


Apagando la Parrilla

⚠ PRECAUCIÓN

¡NO toque las partes caliente de la parrilla con sus manos! Usted DEBE usar guantes protectores.

- Lleve la perilla de mando del quemador a la posición OFF (apagado). (Fig. 29)



⚠ PRECAUCIÓN

Asegúrese de desconectar el cilindro desechable cuando la parrilla no esté en uso.

Uso General y Llamas Correctas en el Quemador

⚠ ADVERTENCIA

- Mantenga el área de la parrilla limpia y libre de materiales combustible, gasolina y otros vapores inflamables, líquidos y cilindros L.P. de repuesto.
- NO obstruya el flujo de aire de ventilación y combustión.
- Mantenga la(s) apertura (s) de ventilación del cilindro libre y claro de desechos.
- Una parrilla de barbacoa se calienta durante el uso. NO toque las rejillas o superficies para cocinar.
- Asegúrese de ajustar todo el herraje (tornillos, tuercas, cerrojos, etc.) por lo menos una vez al año o antes de cada temporada para barbacoas.

Prepare La Parrilla

- Antes de usar la parrilla por primera vez, o después de haber estado guardada, haga funcionar la parrilla por 15 minutos con en el ajuste en la posición de "HIGH" (ALTA) con la tapa cerrada para quemar todo el aceite
- Una vez que el aceite se haya consumido, compruebe la llama del quemador de acuerdo al siguiente paso.

La Llama del Quemador

- Abra la tapa de la parrilla. Las rejillas para cocinar deben estar en su lugar.
- Mantenga sus brazos y su cara alejados de encima del área de cocinar. Mire a través de las rejillas para cocinar y observe la llama de los quemadores por debajo.
- Las llamas deben parecerse a la llama buena mostrada en la Fig. 30 y de la manera siguiente:
- Una llama buena debe ser de color azul con la punta amarilla.
- Algunas puntas amarillas en las llamas con altura de hasta 1 pulgada (25.4 mm.) de largo son aceptables mientras que no haya carbón ni aparezca depósitos de hollín.
-

- Si las llamas son excesivamente amarillas e irregulares, puede que el residuo de aceite no se haya consumido completamente, o pueda que el venturi esté obstruido o que no esté colocado correctamente sobre los orificios. Permita que la parrilla se enfríe antes de volver a colocar el venturi sobre la válvula y los orificios.
- Las parrillas que han sido usadas por un tiempo algunas veces comienzan a mostrar una llama más amarilla. Una acumulación de depósitos de alimento, grasas o condimentos para cocinar pueden causar llamas más amarillas. Limpie el quemador para quitar los residuos y verifique que los orificios del quemador no estén obstruidos o que el venturi no esté bloqueado. Refiérase a la sección titulada "Limpiando el Venturi".
- El uso regular de su parrilla ayudará a mantener su funcionamiento mejor.
- Cada parrilla puede calentarse diferentemente. Algunas unidades se calentarán más en el centro y la parte de atrás de la parrilla. El sabor de la comida asada en la parrilla mejorará mientras más use usted la parrilla y se familiarice más con ella.

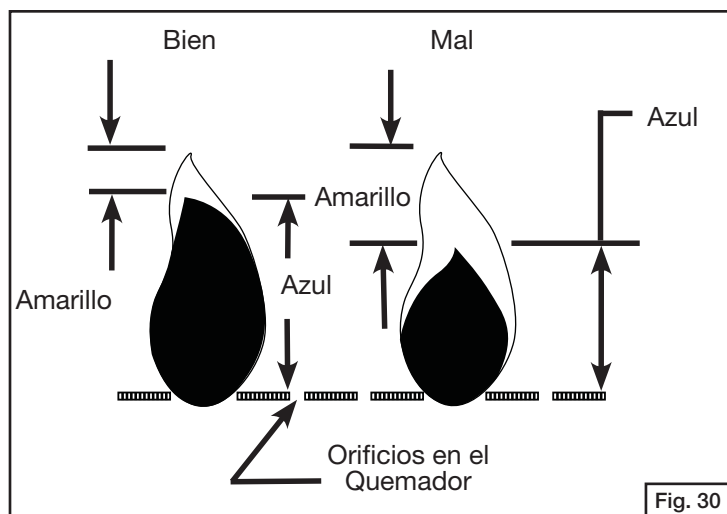


Fig. 30

Sugerencias y Consejos para Asar

Sugerencias Para Ajustar El Control Del Quemador

- El ajuste de llama alta es demasiado caliente para cocinar directamente. El ajuste de llama alta es bueno para dorar la carne rápidamente y luego terminar de cocinarla con el ajuste de llamas medianas o bajas.
- Use el ajuste de llama alta con la tapa cerrada para precalentar la parrilla por 5 minutos antes de cocinar y con la tapa cerrada por un máximo de 5 minutos después de terminar de cocinar para consumir todos los goteos de grasa.
- Use el ajuste de llama mediana para cocinar directamente los filetes de res, chuletas de cerdo, pollo y hamburguesas.
- Use el ajuste de llama baja para asado.
- Los filetes gruesos saldrán con una mejor textura y más jugosos si se doran primero en el ajuste de llama alta y luego se cocinan en el ajuste de llama baja.

Funcionamiento Seguro De La Parrilla

- NUNCA deje la comida cocinándose desatendida. La atención continua a la comida ayudará a mantener la temperatura estable, conservar combustible, mejorar el sabor de la comida y disminuir llamaradas.
- Para abrir la tapa de la parrilla, levante lentamente el asa para evitar quemarse en caso de una llamarada de grasa encendida.
- NO exponga directamente ninguna parte de su cuerpo sobre el área de cocinar.

Sugerencias Para La Preparación De Comida

Su parrilla puede cocinar una variedad de comida. Para los mejores resultados, siga éstas instrucciones:

- Corte el exceso de grasa de la carne y de las aves. Quite toda la grasa restante con cuidado en no cortar la carne.
- La carne y aves congeladas deben descongelarse antes de cocinarlas.
- El pescado y las verduras congeladas deben cocinarse sin descongelarse.
- Póngale la sal a la comida después de cocinarla para ayudar a prevenir que quede seca.
- Póngale aceite o margarina con una brochita a las carnes que contengan poca grasa.
- Cocine pedazos pequeños de alimentos tiernos en papel de alu minio o en rejillas especiales para cocinar alimentos delicados (vea la sección titulada "Métodos para Cocinar").
- Aplique salsas de barbacoa, tomate o con base de azúcar no antes de los últimos 10 minutos de cocción del alimento.
- Voltee la comida con pinzas o una espátula; perforar el alimento (sobre todo la carne), tiende a secarla.

En Caso de un Fuego de Grasa

Siga Estos Pasos:

1. ¡Cierre el suministro de gas usando las válvulas del quemador y manténgase alejado!
2. Permita que el fuego se consuma solo.
3. Una vez que el fuego se ha apagado y el aparato se haya enfriado, quite el cilindro desechable.
4. Limpie todas las partes e inspeccione por algún daño. Las partes que se deben revisar por daño son el cilindro L.P., el regulador, la(s) válvula(s) del (de los) quemador(es).
5. Si cualquiera de estas partes mencionadas arriba se encuentran dañadas, busque repuestos de Coleman antes de hacer funcionar otra vez su parrilla. Localice su centro de servicio más cercano llamando al 1-800-835-3278.

Nota:

- Algunas llamaradas pueden añadirle un sabor humeante y chamuscar el alimento. Fuegos excesivos de grasa pueden causar una situación potencialmente arriesgada y dañar la parrilla.
- Evite llamaradas excesivas precalentando la parrilla con la tapa cerrada durante 5 minutos en el ajuste alto para consumir la grasa de la última vez que cocinó.

- Cocine con la tapa abajo y observe continuamente la comida que está cocinando para evitar fuegos de grasa y llamaradas.
- El cortar el exceso de grasa de la carne reducirá los fuegos de grasa y las llamaradas. Cocine la carne con mucha grasa en cantidades más pequeñas sobre la llama indirecta en el ajuste bajo.
- Asegúrese de seguir las instrucciones en la sección titulada "Cuidado, Mantenimiento y Limpieza".

Métodos para Cocinar

Método Directo:

- La fuente de calor está directamente debajo del alimento.
- Use para dorar la carne o cocinar salchichas y hamburguesas, pero revise el alimento con frecuencia.
- Use para cocinar con un sartén y para freír la comida pero limite el uso de la cantidad de aceite y la llama.
- Cocine el rosbif, pavo o pato en calor bajo. Coloque la carne con agua en un recipiente de aluminio con el fondo corrugado. Añádale más agua según sea necesario.

Método Indirecto:

- Encienda sólo un lado del quemador y coloque la comida en el lado opuesto para cocinar.
- Permita que la comida se cocine a una temperatura baja lo cual aumentará ternura y reducirá llamaradas de grasa.
- Este es un buen método para cocinar las comidas que se queman fácilmente (verduras, pescado, etc.).
- Cocine los guisos en recipientes para hornear o en bandejas de aluminio como si fuera a cocinar en un horno convencional.
- Trate también de poner una bandeja con agua encima del lado del quemador encendido para ayudar que la carne retenga sus jugos. Añádale más agua según sea necesario.

Cuidado, Mantenimiento y Limpieza

BANDEJA PARA GOTEO

La bandeja para goteo está situada debajo de la parrilla y debe ser limpiada periódicamente para prevenir la acumulación densa de desperdicios. (Fig. 31)

NOTA: Permita que la bandeja para goteo se enfríe antes de limpiarla.

Importante: No deje la parrilla fuera durante mal clima a menos que esté cubierto (el forro para cubrir se vende por separado). El agua de lluvia puede acumularse dentro de la parrilla o en la bandeja para goteo si se deja destapada. Si la bandeja de goteo no se limpia después de haberla usado y si la parrilla es dejada destapada, la bandeja para goteo se llenará del agua causando que se derrame grasa y agua. Recomendamos que limpien y guarden la bandeja para goteo después de cada uso.

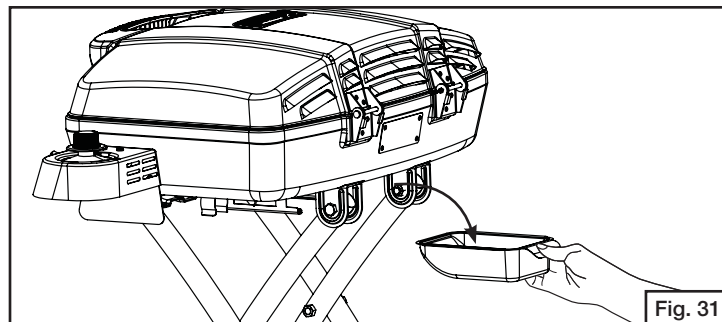


Fig. 31

PARRILLA DE COCCIÓN

La parrilla de cocción puede limpiarse inmediatamente después de finalizar la cocción y antes de apagar la parrilla. Colóquese un guante para parrillas y friegue la parrilla con un paño húmedo. Si la parrilla está fría, le resultará más fácil limpiar la rejilla si la retira de la unidad y la limpia con detergente suave.

⚠ PRECAUCIÓN

Toda la limpieza y el mantenimiento debe hacerse solo cuando la parrilla esté fría y con el suministro de combustible apagado en el cilindro. Los cilindros desechables de propano deben sacarse de la parrilla cuando la esté limpiando.

Materiales de Limpieza Sugeridos:

- Detergente líquido suave para lavar platos
- Agua caliente
- Cepillo de alambre
- Clip para papel
- Paño de limpiar de nilón
- Cepillo con cerdas de cobre suave
- Espátula para enmasillar
- Raspador

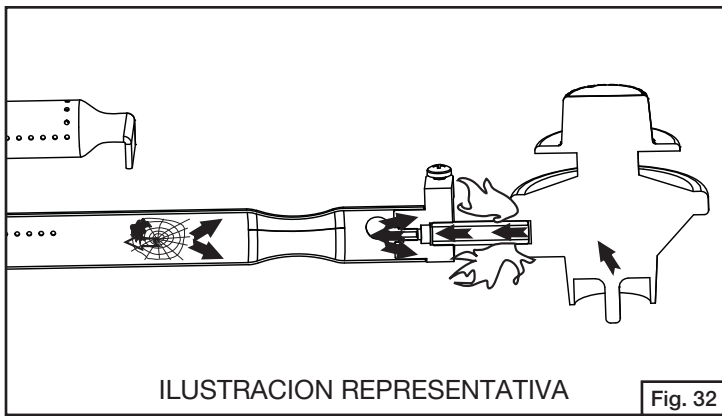
Limpieza de los Componentes:

- **QUEMADOR:** Limpie con un cepillo de alambre la corrosión en el exterior del quemador. Limpie los orificios de gas obstruidos con un clip para papel extendido. Reemplace todo quemador corroído o dañado que pueda emitir exceso de gas.
- **REJILLAS PARA COCINAR:** limpie las rejillas para cocinar con un jabón suave y agua caliente. Saque el residuo pegado con un limpiador suave o con un cepillo de fregar. NO use limpiador para hornos comercial.
- **INTERIOR DE LA PARRILLA:** Quite las rejillas. Raspe los lados con una herramienta y quite el exceso de grasa y el residuo de los alimentos.

Limpieza del Venturi

⚠ ADVERTENCIA

Los nidos de arañas o el lodo de avispas dentro del venturi pueden causar un fuego en la válvula. Si ocurre un fuego, apague inmediatamente el suministro de gas cerrando la válvula del cilindro de L.P. (vea la ilustración representativa en la Fig. 32).



ILUSTRACION REPRESENTATIVA

Fig. 32

Nota:

Las arañas y los insectos pequeños pueden tejer telarañas y construir nidos en el interior de los tubos venturi. Esto ocurre especialmente al finalizar el verano y en otoño, antes de que haga frío, cuando las arañas están más activas. Estos nidos pueden obstruir el paso de gas y causar un incendio en la perilla del quemador o a su alrededor. Tal fuego puede causar heridas al usuario daños serios a la parrilla. Para ayudar a prevenir una obstrucción y asegurar una salida de calor completa, limpie e inspeccione a menudo los tubos venturi (una o dos veces al mes). **NOTA:** Presión de agua o de aire normalmente no limpiará una telaraña.

Pasos Para Limpiar El Venturi:

1. Para quitar las obstrucciones mencionadas arriba, use un accesorio de cepillo flexible para venturi o doble un extremo de un alambre largo flexible de 20 pulgadas (.5 metros) haciéndole un pequeño gancho tal como el que se muestra en la Fig. 33.

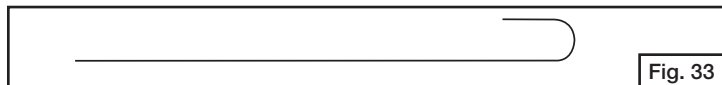


Fig. 33

2. Quite las rejillas para cocinar y póngalas a un lado. (Fig. 34)

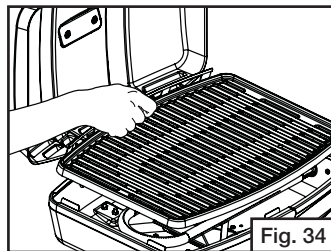


Fig. 34

3. Usando un destornillador, quite los tornillos autorroscantes que fijan las abrazaderas del quemador debajo de la caja y quite el quemador. (Fig. 35)

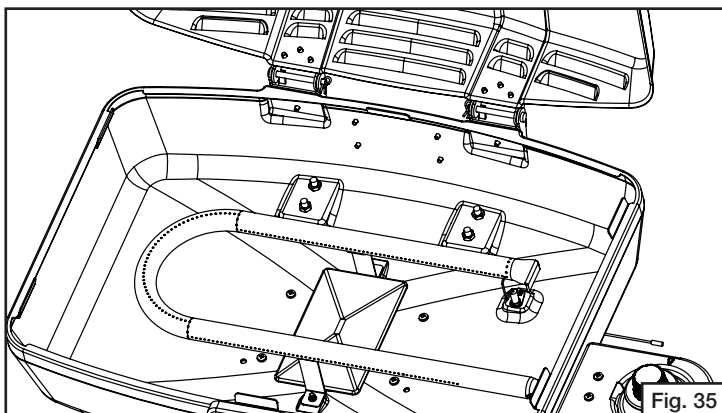


Fig. 35

4. Examine si en la parte interna del extremo inferior del tubo venturi hay nidos, telarañas o suciedad. Límpiela como se indica en el Paso 1, Fig. 33.
5. Inspeccione y limpie los quemadores si fuera necesario.
6. Vuelva a colocar el quemador y las abrazaderas y coloque el quemador en la posición operativa correcta.
7. Asegúrese de que los adaptadores del orificio estén dentro del tubo venturi y luego apriete todos los tornillos autorroscantes. (Fig. 36)

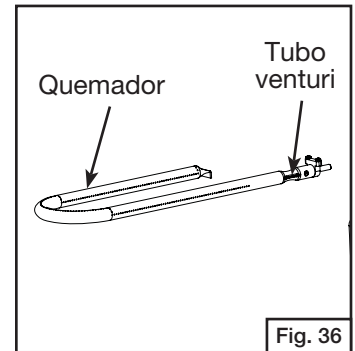


Fig. 36

Transporte y Almacenaje

⚠ PRECAUCIÓN

Un choque con la parrilla, al igual que con cualquier objeto metálico, puede causar lesiones. Tenga cuidado cuando este transportando una parrilla de gas portátil.

Transportando la parrilla:

- NO mueva la parrilla mientras esté encendida o a temperatura o bien, con objetos sobre la superficie de cocción.
- Limpie la bandeja para la grasa antes de mover la parrilla para prevenir derrames.
- Pliegue la parrilla antes de moverla.
- Mueva la parrilla lentamente. NO corra con la parrilla detrás de usted; esta podría golpearle desde atrás y causarle una lesión.

Después de transportar la parrilla:

- Compruebe si hay fugas en todas las conexiones de gas que podrían haber ocurrido por el movimiento.
- Compruebe los tubos venturi para estar seguro que ellos todavía están sobre los orificios.

Pasos a seguir antes de almacenar la parrilla:

- Limpie la parrilla, incluyendo la bandeja para la grasa.
- Cubra el quemador ligeramente con una capa de aceite para cocinar para retardar la oxidación.
- Solamente para uso al aire libre. Si la parrilla es almacenada adentro, quite el cilindro afuera. Si se va a dejar afuera, quite el cilindro y tape la parrilla para protegerla del tiempo. Los forros para parrillas se pueden comprar a través del distribuidor de la parrilla o del fabricante.

Solución de Problemas

Problema: La Parrilla no enciende cuando oprime el botón del encendedor o la llama del quemador no arde completamente.

Posibles Causas y Soluciones:

1. Falta de combustible. Compruebe y vea que el cilindro tenga combustible.
2. Asegúrese de que el quemador esté apagado. Espere hasta cuatro segundos para que se encienda el gas.
3. Si el quemador se enciende con fósforo en lugar de con el encendedor, compruebe la posición del electrodo de cerámica cerca del quemador, la condición del alambre del encendedor y sus conexiones. Realice la prueba del encendedor y reemplace cualquier de las partes dañadas.
4. Compruebe por telarañas o nidos de insectos en el venturi y limpie el venturi.
5. Compruebe por desalineamiento del venturi en los orificios. Coloque el venturi sobre los orificios.
6. Los puertos, los orificios o la perilla del quemador están obstruidos. Limpie los componentes.
7. Fallo del regulador; el regulador necesita ser reemplazado por un distribuidor de servicio autorizado. regulator failure;
8. Asegúrese que el regulador y el cilindro están ensamblados correctamente. Vea la sección titulada "Instalación de Cilindros Desechables de 1 libra (.45 kg.)".

Problema: Llama Amarilla.

Posibles Causas y Soluciones:

1. Compruebe por telarañas o nidos de insectos en el venturi y limpie el venturi.
2. El nuevo quemador puede tener el residuo de aceite el cual se que quemará.
3. Limpie cualquier residuo de comida, grasa o sales para condimentar sobre el quemador.
4. El venturi puede estar desalineado y necesita estar alineado sobre el orificio.

Problema: La llama se apaga en el ajuste bajo o tiene una distribución de calor desigual.

Posibles Causas y Soluciones:

1. Compruebe por telarañas o nidos de insectos en el venturi y limpie el venturi.
2. La parrilla fría necesita ser precalentada por 5 minutos en el ajuste alto.
3. El venturi puede estar desalineado y necesita estar alineado sobre los orificios.
4. En tiempo frío y ventoso usted necesitará mover la parrilla lejos del viento.
5. Falta de combustible. Compruebe y vea que el cilindro tenga combustible.

Problema: Parrilla demasiado caliente.

Posibles Causas y Soluciones:

1. Llamadas excesivas las cuales requieren el mantenimiento descrito en la sección titulada "EN CASO DE UN FUEGO DE GRASA".
2. Un orificio o regulador dañado el cual requiere ser reemplazado con piezas autorizadas por la fábrica.
3. Grasa acumulada dentro de la parrilla necesitará ser limpiarse y vaciar la bandeja para la grasa.
4. Si está usando un ajuste excesivamente alto, seleccione una temperatura más baja para cocinar.

Problema: Fuego en cualquier conexión.

Posibles Causas y Soluciones:

Desconecte INMEDIATAMENTE la perilla de mando y espere a que la parrilla se enfríe.

1. Fuga de gas en una conexión defectuosa. Apriete las conexiones con una llave ajustable y reemplace las partes dañadas. Realice una inspección de fugas en todas las conexiones antes de volver a cocinar en la parrilla.

Problema: Llama detrás del panel de control o del área de la perilla de control.

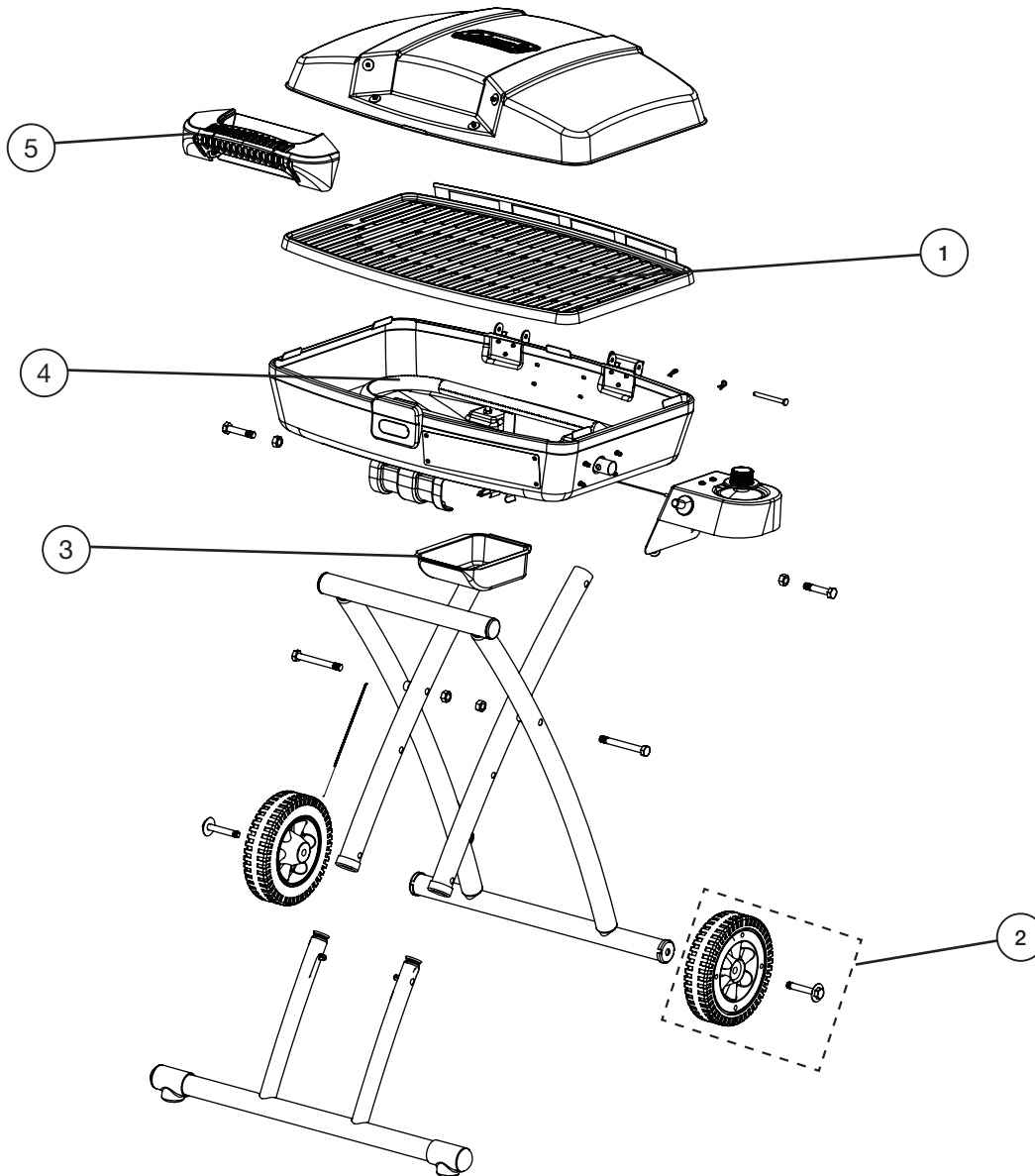
Posibles Causas y Soluciones:

Desconecte INMEDIATAMENTE la perilla de mando y espere a que la parrilla se enfríe.

1. Compruebe por telarañas o nidos de insectos en el venturi y limpie el venturi.
2. Fuga de gas en una conexión defectuosa. Apriete las conexiones a mano y reemplace las partes dañadas. Realice una inspección de fugas en todas las conexiones antes de volver a cocinar en la parrilla.
3. El venturi puede estar desalineado y necesita estar alineado sobre los orificios.

Lista de Piezas de Reemplazo – Series 9955

1	2000007426	Rejilla
2	9949-2401	Conjunto de ruedas
3	5010000823	Bandeja de goteo
4	5010000822	Regulador del quemador/llamar
5	5010000824	Conjunto de manija de la tapa



Garantía Limitada de Tres Años

The Coleman Company, Inc. ("Coleman") garantiza que por un periodo de tres (3) años a partir de la fecha original de compra, este producto estará libre de defectos en material y construcción. Coleman, a su discreción, reparará o reemplazará este producto o cualquier componente del producto que esté defectuoso durante el periodo de la garantía. Cualquier reemplazo será hecho con un producto o componente nuevo o refabricado. Si el producto no se encuentra disponible, el reemplazo se podrá hacer con un producto similar de igual o mayor valor. Esta es su garantía exclusiva.

Esta garantía es válida para el comprador original desde la fecha de la compra inicial y no es transferible. Guarde su recibo de compra. Prueba de recibo de compra es requerido para obtener ejecución de la garantía. Los comerciantes de Coleman, centros de servicio o las tiendas al por menor que venden artículos Coleman® no tienen el derecho de alterar, modificar o cambiar de ninguna otra manera los términos y condiciones de esta garantía.

Lo Que Esta Garantía No Cubre

Esta garantía no cubre el desgaste normal de las piezas, piezas que no sean genuinas de Coleman® ni daño resultante por las siguientes causas; uso negligente o uso incorrecto del producto; uso comercial de este producto, uso contrario a las instrucciones de operación, desmontaje, reparación o alteración por cualquiera que no sea Coleman® o un centro de servicio autorizado. Además, la garantía no cubre Fuerzas Naturales tales como son fuego, inundaciones, huracanes y tornados. La garantía no es válida si el daño al producto es un resultado del uso de piezas que no sean piezas genuinas Coleman®.

COLEMAN NO SERA PESPONSABLE POR DEFECTOS CAUSADOS POR EL USO DE PIEZAS O SERVICIO NO AUTORIZADO. COLEMAN NO SERÁ RESPONSABLE POR NINGÚN DA—O INCIDENTAL O CONSIGUIENTE OCASIONADO POR LA VIOLACIÓN DE CUALQUIER GARANTÍA O CONDICIÓN IMPLICADA O EXPRESADA. CON EXCEPCIÓN AL LIMITE DE LO QUE PROVEE LA LEY APLICABLE, CUALQUIER GARANTÍA IMPLICADA DE COMERCIO O ADAPTACIÓN PARA UN USO EN PARTICULAR ES LIMITADA EN SU DURACIÓN A LA DURACIÓN DE LA GARANTÍA ARRIBA MENCIONADA. ALGUNOS ESTADOS, PROVINCIAS O JURISDICCIONES NO PERMITEN LA EXCLUSIÓN O LIMITACIÓN DE DA—OS INCIDENTALES O CONSIGUIENTES O LIMITACIONES REFERENTE A CUÁNTO UNA GARANTÍA LIMITADA DEBE DURAR, POR LO TANTO LAS LIMITACIONES O EXCLUSIONES ARRIBA MENCIONADAS PUEDE QUE NO SEAN APLICABLES A USTED. ESTA GARANTÍA LE PROVEE DERECHOS LEGALES EXPECÍFICOS, Y ADEMÁS PUEDE QUE USTED TENGA OTROS DERECHOS QUE VARIAN DE ESTADO A ESTADO O DE PROVINCIA A PROVINCIA.

Como Obtener Servicio de Garantía

Lleve el producto a un centro de servicio Coleman autorizado. Usted puede encontrar el centro de servicio Coleman autorizado más cercano visitando nuestro lugar web en www.coleman.com o llamando al 1-800-835-3278 ó al TDD 1-316-832-8707 en los Estrados Unidos ó al 1-800-387-6161 en Canadá. Si no encuentra un centro de servicio convenientemente localizado, adhiera una etiqueta al producto que incluya su nombre, dirección, número de teléfono y una descripción del problema. Incluya una copia del recibo de compra original. Empaque cuidadosamente el producto y envíelo ya sea por servicio de entrega o por correo asegurado con el franqueo y el seguro pagado por anticipado a:

Para productos comprados en los Estados Unidos:

The Coleman Company, Inc.
3600 North Hydraulic
Wichita, KS 67219 U.S.A.

Para productos comprados en Canada:

Sunbeam Corporation (Canada) Limited
DBA Jarden Consumer Solutions
20B Hereford Street
Brampton, ON L6Y 0M1

Los gastos de transporte del producto a Coleman o a un centro de servicio autorizado para servicio de garantía son la responsabilidad del comprador.

No envíe productos con combustible en los tanques, o con cilindros de propano desechables.

NO DEVUELVA ESTE PRODUCTO AL LUGAR DONDE LO COMPRO.

Si usted tiene alguna pregunta sobre esta garantía favor de llamar al 1-800-835-3278 o al TDD 1-316-832-8707 en los Estados Unidos o al 1-800-387-6161 en Canadá.



Para Garantía, Servicio y Partes

Localice su número de modelo y número de serie que se encuentran en la etiqueta en la parrilla.



The Coleman Company, Inc. • 3600 North Hydraulic • Wichita, KS 67219 U.S.A.

1-800-835-3278 • TDD: 1-316-832-8707

© 2010 The Coleman Company, Inc. Todos los derechos reservados. Coleman®, , , y RoadTrip® son marcas registradas y InstaStart™ es una marca de la compañía The Coleman Company, Inc.