



INSTASTART™ Electronic Ignition

Propane Rotisserie/Oven

Instructions for use

© 2006 The Coleman Company, Inc.
www.coleman.com



ANSI Z21.58a-2006/CSA 1.6a-2006
Outdoor Cooking Gas Appliances



9987 Series

This unit is an accessory for Coleman® Propane Grill Models 9993 and 9998. Also read the additional instructions and warnings that are provided in the manual that came with your Coleman® Grill.

IMPORTANT

CONSUMER/USER: This instruction manual contains important information necessary for the proper assembly and safe use of the appliance. Read and follow all warnings and instructions before assembling and using the appliance. Follow all warnings and instructions when using the appliance. Keep this manual for future reference.

If you have questions about assembly, operation, servicing or repair of this appliance, please call Coleman at 1-800-835-3278 or TDD: 316-832-8707. In Canada call 1-800-387-6161.

 DANGER

If you smell gas:

- 1. Shut off gas to the appliance.**
- 2. Extinguish any open flame.**
- 3. Open lid.**
- 4. If odor continues, keep away from the appliance and immediately call your gas supplier or your fire department.**

Failure to follow these instructions could result in fire or explosion which could cause property damage, personal injury or death.

 DANGER

- 1. Never operate this appliance unattended.**
- 2. Never operate this appliance within 10 feet (3.05 m) of any other gas cylinder.**
- 3. Never operate this appliance within 25 feet (7.5 m) of any flammable liquid.**
- 4. Heated liquids remain at scalding temperatures long after the cooking process. Never touch cooking appliance until liquids have cooled to 115°F (45°C) or less.**
- 5. Never allow oil or grease to get hotter than 400°F (200°C). If the temperature exceeds 400°F (200°C) or if oil begins to smoke, immediately turn the burner or gas supply OFF.**
- 6. If a fire should occur, keep away from the appliance and immediately call your fire department. Do not attempt to extinguish an oil or grease fire with water.**

Failure to follow these instructions could result in fire, explosion or burn hazard, which could cause property damage, personal injury or death.

Only persons who can understand and follow the instructions should use or service this outdoor rotisserie.




If you need assistance or outdoor rotisserie information such as an instruction manual or labels, contact The Coleman Company, Inc.

DANGER



CARBON MONOXIDE HAZARD

- **This appliance can produce carbon monoxide which has no odor.**
- **Using it in an enclosed space can kill you.**
- **Never use this appliance in an enclosed space such as a camper, tent, car or home.**

This manual contains important information about the assembly, operation and maintenance of this outdoor propane appliance. General safety information is presented on this page and is also located throughout these instructions. Particular attention should be paid to information accompanied by the safety alert symbol " DANGER", " WARNING", " CAUTION".

Keep this manual for future reference and to educate new users of this product. This manual should be read in conjunction with the labeling on the product.

Safety precautions are essential when any mechanical or propane fueled equipment is involved. These precautions are necessary when using, storing, and servicing. Using this equipment with the respect and caution demanded will reduce the possibilities of personal injury or property damage.

The following symbols shown below are used extensively throughout these instructions. Always heed these precautions, as they are essential when using any mechanical or propane fueled equipment.

DANGER

DANGER indicates an imminently hazardous situation which, if not avoided, will result in death or serious injury.

WARNING

WARNING indicates a potentially hazardous situation which, if not avoided, could result in death or serious injury.

CAUTION

CAUTION indicates a potentially hazardous situation which, if not avoided, may result in minor or moderate personal injury, or property damage.

CAUTION

- The use of alcohol, prescription or non-prescription drugs may impair your ability to properly assemble or safely operate the appliance.
- When cooking with oil or grease, have a type BC or ABC fire extinguisher readily available. In the event of an oil or grease fire, do not attempt to extinguish with water. Immediately call the fire department. A Type BC or ABC fire extinguisher may, in some circumstances contain the fire.
- In the event of rain, snow, hail, sleet or other forms of precipitation while cooking with oil or grease, cover the cooking vessel immediately and turn off the appliance burners and gas supply. Do not attempt to move the appliance or cooking vessel.
- When cooking, the appliance must be on a level, stable noncombustible surface in an area clear of combustible material. An asphalt surface (blacktop) may not be acceptable for this purpose.
- Do not leave the appliance unattended. Keep children and pets away from the appliance at all times.
- Do not place empty cooking vessel on the appliance while in operation. Use caution when placing anything in cooking vessel while the appliance is in operation.
- Do not move the appliance when in use. Allow the cooking vessel to cool to 115°F (45°C) before moving or storing.
- This appliance is not intended for and should never be used as a heater.

DANGER



• EXPLOSION - FIRE HAZARD

- Never store propane near high heat, open flames, pilot lights, direct sunlight, other ignition sources or where temperatures exceed 120 degrees F (49°C).
- Propane gas is heavier than air and leaking propane will sink to the lowest level possible. It can ignite by ignition sources including matches, lighters, sparks or open flames of any kind many feet away from the original leak. If you smell gas, leave the area immediately.
- Never install or remove propane tank while outdoor rotisserie is lighted, near flame, pilot lights, other ignition sources or while outdoor rotisserie is hot to touch.
- During operation, this product can be a source of ignition. Never use the rotisserie in spaces that contain or may contain volatile or airborne combustibles, or products such as gasoline, solvents, paint thinner, dust particles or unknown chemicals.
- Minimum distance from sides and back of unit to walls or railings is 36 inches (92 cm). Do not use under overhead unprotected combustible construction.
- Provide adequate clearances around air openings into the combustion chamber.
- DO NOT use gas rotisserie indoors or in garages, breezeways, sheds or enclosed areas.
- Do not obstruct the flow of combustion and ventilation air.

WARNING

We cannot foresee every use which may be made of our products.

Check with your local fire safety authority if you have questions about use.

Other standards govern the use of fuel gases and heat producing products for specific uses. Your local authorities can advise you about these.

- This rotisserie is designed as an accessory for Coleman® Grill models 9993 and 9998. The fuel is regulated through the preset regulator that came with your grill. Do not attempt to adjust.
- The installation must conform with local codes or, in absence of local codes, with the *National Fuel Gas Code, ANSI Z223.1/NFPA 54, Storage and Handling of Liquefied Petroleum Gases, ANSI/NFPA 58 or CSA B149.1, Natural Gas and Propane Installation Code.*
- This appliance is not intended to be installed in or on recreational vehicles and/or boats.
- This appliance is not intended for commercial use.

DANGER



• CARBON MONOXIDE HAZARD

- This rotisserie is a combustion appliance. All combustion appliances produce carbon monoxide (CO) during the combustion process. This product is designed to produce extremely minute, non-hazardous amounts of CO if used and maintained in accordance with all warnings and instructions. Do not block air flow into or out of the rotisserie.
- Carbon Monoxide (CO) poisoning produces flu-like symptoms, watery eyes, headaches, dizziness, fatigue and possibly death. You can't see it and you can't smell it. It's an invisible killer. If these symptoms are present during operation of this product **get fresh air immediately!**
- **For outdoor use only. If stored indoors, detach cylinder outdoors.**
- **Never use inside house, camper, tent, vehicle or other unventilated or enclosed areas. This rotisserie consumes air (oxygen). Do not use in unventilated or enclosed areas to avoid endangering your life.**

WARNING

- This product is fueled by propane gas. Propane gas is invisible, odorless, and flammable. An odorant is normally added to help detect leaks and can be described as a "rotten egg" smell. The odorant can fade over time so leaking gas is not always detectable by smell alone.
- Only cylinders marked "propane" must be used.
- Use only propane gas set up for vapor withdrawal.
- Propane gas should be stored or used in compliance with local ordinances and codes or with ANSI/NFPA 58. Turn off propane and disconnect cylinder when not in use.
- Cylinders must be stored out of reach of children.

CALIFORNIA PROPOSITION 65:

WARNING: This fuel, and byproducts of combustion of this fuel, contain chemicals known to the state of California to cause cancer, birth defects, or other reproductive harm.

Electrical Attachments

The maximum sum total amperage rating of electrical accessories attached to the 9993 or 9998 Series Coleman Grills must not exceed **10 amps**.

When using an electric attachment with the grill, follow the specification and warning statements accompanying the attachment.

IMPORTANT: If using an external electrical source, the installed appliance must be electrically grounded according to local codes or, in the absence of local codes, with the National Electrical Code, ANSI/NFPA 70 or the Canadian Electrical Code CSA C22.1.

1. To protect against electric shock, do not immerse cord or plugs in water or other liquid.
2. Unplug from the outlet when not in use and before cleaning. Allow to cool before putting on or taking off parts.
3. Do not operate any outdoor cooking gas appliance with a damaged cord, plug, or after the appliance malfunctions or has been damaged in any manner. Contact Coleman for repair.
4. Do not let the cord hang over the edge of a table or touch hot surfaces.
5. Do not use an outdoor cooking gas appliance for purposes other than intended.
6. When connecting, first connect accessories to the electrical receptacle in the rear of the grill, next connect the short service cord on the grill to the extension cord, and finally connect the extension cord to the power supply.
7. Use only a Ground Fault Interrupter (GFI) protected circuit with this outdoor cooking gas appliance.
8. Never remove the grounding plug or use with an adapter of 2 prongs.
9. Use only extension cords with a 3 prong grounding plug, rated for the power of the equipment, and approved for outdoor use with a W-A marking.

WARNING

Electrical Grounding Instructions

This outdoor cooking gas appliance is equipped with a three-prong (grounding) plug for your protection against shock hazard and should be plugged directly into a properly grounded three-prong receptacle. Do not cut or remove the grounding prong from this plug.

Longer detachable power-supply cords or extension cords must be used with care. The marked electrical rating of the cord set or extension cord must be at least as great as the electrical rating of the appliance. Keep the connection to an extension cord away from water and off the ground. Arrange the cord so that it will not drape over the countertop or tabletop where it can be pulled on by children or tripped over unintentionally.

Never clean any electrical product with water or cleaning fluids. Store electrical products indoors and out of reach of children when not in use. **DO NOT** allow cord to touch any hot surfaces which could melt insulation.

⚠ WARNING



• BURN HAZARD

- Never leave rotisserie unattended when hot or in use.
- Keep out of reach of children.

⚠ CAUTION

• SERVICE SAFETY

- Keep all connections and fittings clean. Inspect propane cylinder and rotisserie propane connections for damage before attaching.
- During set up, check all connections and fittings for leaks using soapy water. Never use a flame. Bubbles indicate a leak. Check that the connection is not cross-threaded and that it is tight. Perform another leak check. If there is still a leak, remove the cylinder and contact Coleman for service or repairs.
- Use as a cooking appliance only. Never alter in any way or use with any device or part not expressly approved by Coleman.
- Clean rotisserie frequently to avoid grease accumulation and possible grease fires.

Technical Characteristics

Input: 6,000 BTU/H

Category: Pressure regulated propane.

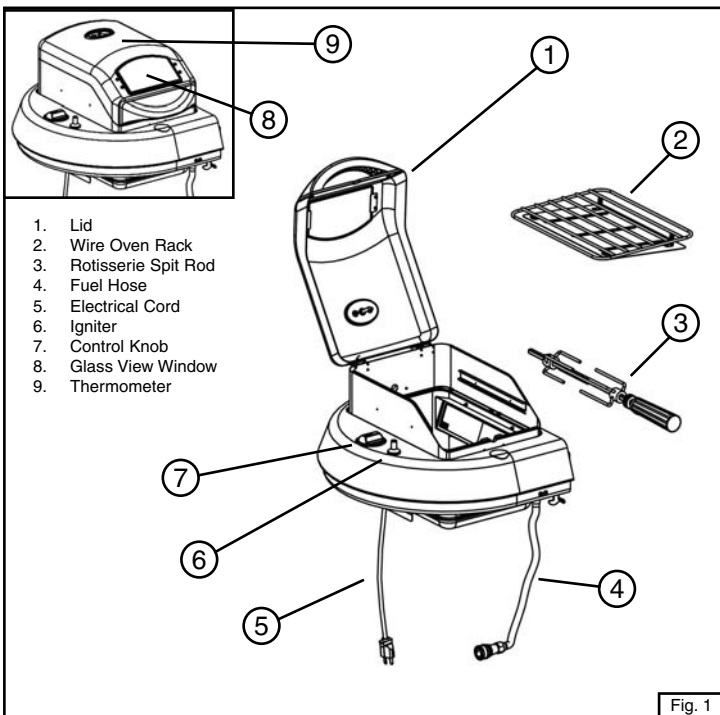
Fuel: Uses fuel system on Coleman® grill models 9993 and 9998.

Regulator: Uses regulator on Coleman® grill models 9993 and 9998.

Ignition: Piezo electronic ignition.

Rotisserie Motor: 120V-60HZ, 4 Watts, .033 Amps.

Features



Rotisserie Assembly

Attach the Rotisserie to the Grill

NOTE: This Side Solution™ Rotisserie attachment is designed for use only when properly attached to Coleman® grill models 9993 and 9998. Attempted use or setup in a manner not described in this manual is prohibited and will void the warranty.

- Remove the components from the carton and discard all packing components.
- Wash the food contact surfaces with hot soapy water and dry completely. These items include the rotisserie spit rod and the meat forks. Wipe the inside and outside surfaces with a clean damp cloth and dry completely.
- For outdoor use only.

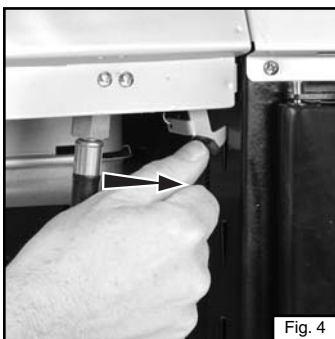
1. Align the tabs on the Side Rotisserie with the slots on the side of the grill (Fig. 2).



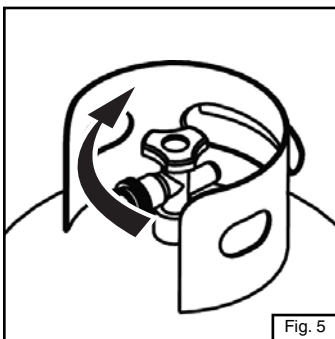
2. Use firm pressure to push the Side Rotisserie down and into place (Fig. 3). The joint between the Side Rotisserie and the Grill will be even.



3. Engage the locks by firmly pushing the tabs into the slots (Fig. 4). Be sure to engage two locks on the Side Rotisserie.



4. Check that the cylinder valve is closed by turning the cylinder knob clockwise to a full stop (Fig. 5).

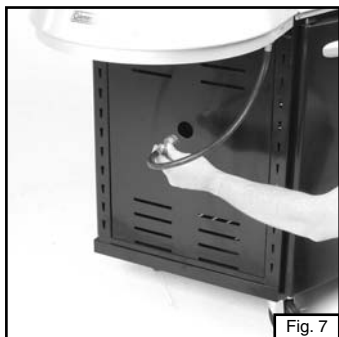


5. Turn off the control knob (Fig. 6).

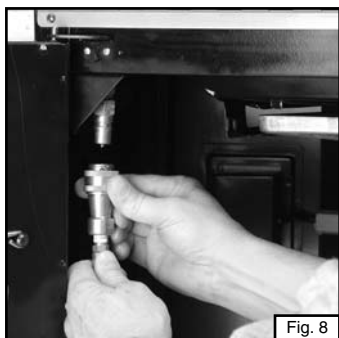


Rotisserie Assembly

6. Push the fuel hose connection through the opening in the side grill panel (Fig. 7).



7. Open the door to reveal the Quick Coupler in the upper corner. Retract the Collar on the Quick Coupler before attaching to the male fitting (Fig. 8). Release the collar to lock the connection.



8. Check that the hose has no kinks or sharp bends and clears areas that will become hot during use. Never put strain on the hose where it joins a fitting.

9. Push the electrical plug down through the rotisserie frame (Fig. 9).



10. Slide the motor downward over the bracket and push firmly into position (Fig. 10).



11. Plug the rotisserie cord into the outlet in the back of the grill.

Setup

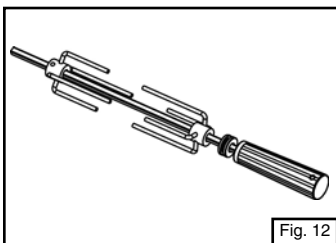
1. Slide the grease tray into the rails below the rotisserie (Fig. 11).



Rotisserie Setup

NOTE: To use the rotisserie, the wire oven rack must be removed and set aside.

2. Assemble the meat forks and the collar onto the spit rod (Fig. 12). Adjust the location of the collar with the thumbscrew to support the spit rod.



3. Insert the pointed end of the spit rod into the opening in the motor and rest the collar on the frame (Fig. 13). The spit rod should freely turn when the motor is turned on.

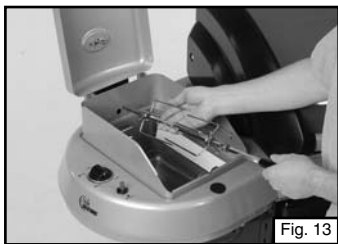


Fig. 13

4. Figure 14 illustrates the spit rod correctly installed.

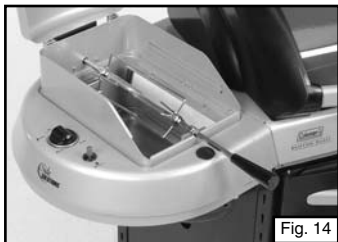


Fig. 14

Oven Setup

1. To use the unit as an oven, slide the wire oven rack into the rails (Fig. 15).

NOTE: The wire oven rack must be installed correctly. The correct installation is with the lowest side of the heat deflector near the burner.



Fig. 15

Burner and Orifice

1. Proper location of the burner with respect to the venturi and orifice fitting is important. To verify the proper factory installation of the burner and venturi, look at the unit from below and locate the burner and venturi. The burner inlet must be located in line with the venturi and the orifice fitting on the end of the fuel tube (Fig. 16).

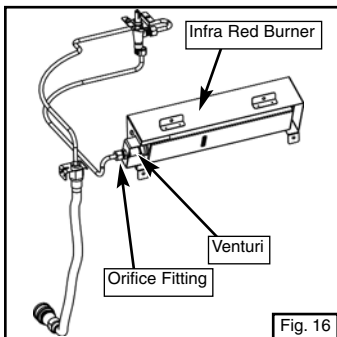


Fig. 16

- Check and clean the burner/venturi tubes for insects and insect nests. A clogged tube can lead to a fire beneath the appliance.

Leak Testing

⚠ WARNING

- Perform leak test outdoors.
- Extinguish all open flames.
- NEVER leak test when smoking.
- Do not use the outdoor rotisserie until connection has been leak tested and does not leak.

⚠ CAUTION

• SERVICE SAFETY

- Keep all connections and fittings clean. Inspect propane cylinder and rotisserie propane connections for damage before attaching.
- During set up, check all connections and fittings for leaks using soapy water. Bubbles indicate a leak. Never use a flame to check for leaks.

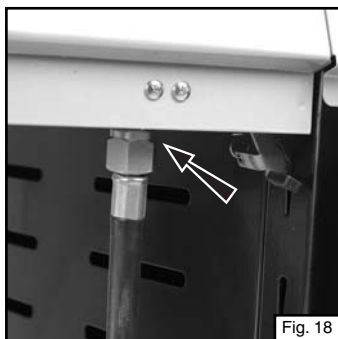
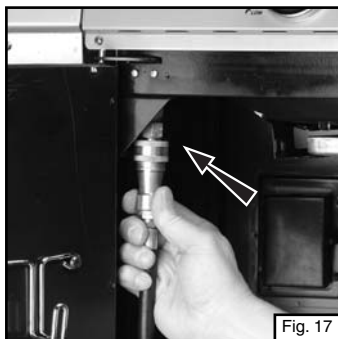
Leak Testing (cont.)

CAUTION

Inspect the gas supply hose before each use. Look underneath the grill to inspect the hose assembly below the grill. If there are cuts, damage, excessive abrasion or wear, replace the hose prior to operating the appliance. During assembly of the grill and when attaching or replacing the L.P. gas cylinder, insure that the gas supply hose is free of kinks and/or damage and is at least three inches away from hot surfaces such as the grill housing. Use only hose replacements specified in the parts list.

How to Check for Leaks

1. Make a soapy solution of equal parts mild liquid dishwashing detergent and water.
2. Turn off all burner control knobs.
3. Turn on the fuel supply by turning the cylinder valve knob counterclockwise (right to left) one rotation.
4. Apply a soap solution to the connections indicated with the arrows in Fig. 17 and 18. If bubbles appear at these areas, a leak is indicated.
5. Also follow the "Leak Check" section in the manual that came with your grill.



Operation

DANGER



• CARBON MONOXIDE HAZARD

- For outdoor use only.
- Never use inside house, camper, tent, vehicle or other unventilated or enclosed areas. This unit consumes air (oxygen). Do not use in unventilated or enclosed areas to avoid endangering your life.

DANGER



• EXPLOSION - FIRE HAZARD

- Propane is heavier than air and can accumulate in low places. If you smell gas, leave the area immediately.
- Always attach or detach propane source outdoors; never while unit is lighted, near flame, pilot lights, other ignition sources or while unit is hot to touch.
- This unit is very hot during use and can ignite flammables too close to the burners.
- Minimum distance shall be at least 36 inches (92 cm) from any structure or combustible material.
- Do not use gas rotisserie on or under any apartment, or condominium balcony or deck.
- Keep gasoline and other flammable liquids and vapors well away from unit.

- Do not attempt to operate until you have read and understood all General Safety Information in this manual and all assembly is complete and leak checks have been performed.

Side Rotisserie Burner Lighting

WARNING



• BURN HAZARD

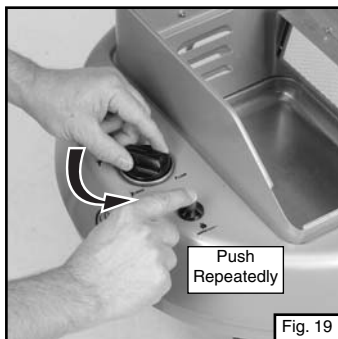
- This appliance will be hot during and after use.
- Never leave rotisserie unattended when hot or in use.
- Keep out of reach of children.

Rotisserie Burner Lighting (cont.)

INSTASTART™ Electronic Ignition Rotisserie:

1. Open the lid.
2. Make sure all valves are OFF.
3. Turn on the cylinder valve.
4. Push in and turn on the Rotisserie Control Knob counterclockwise to HIGH, then repeatedly press the igniter until the flame ignites (Fig 19).
5. If ignition does not occur in 5 seconds, turn the Rotisserie Control Knob off, wait 5 minutes, and repeat the lighting procedure.
6. If the burner does not light after trying again, turn off Rotisserie Control Knob and try match lighting the burner.

HINT: If the igniter fails to light the rotisserie burner, adjust electrode tip with needle-nose pliers. A spark must jump near a gas opening in the burner when igniter is activated. Use care not to damage the ceramic insulator on electrode.



7. Observe the flame from below the rotisserie.
8. Flame should be blue with a hint of yellow on tips.

9. Adjust flame with the control knob (Fig. 20).



Match Lighting:

⚠ CAUTION

Use a LONG wooden match or a butane lighter with an extension. Make sure all burner controls are off except for the burner being lighted. If a long-reach match or lighter is not accessible, use the match extension. The match extension is located inside the doors. Insert a match in the holder end of the extension, strike and place the burning match near the BURNER being operated.

1. Open the lid.
2. Make sure all valves are OFF.
3. Turn on the cylinder valve.
4. Strike and place the burning match near the rotisserie burner, then push in and turn on the Rotisserie Control Knob counterclockwise to HIGH (Fig. 21).



5. Adjust flame with the control knob (Fig. 22).



- A good flame should be blue with minimal yellow tip. Some yellow tips on flames are acceptable as long as no carbon or soot deposits appear (Fig. 23).

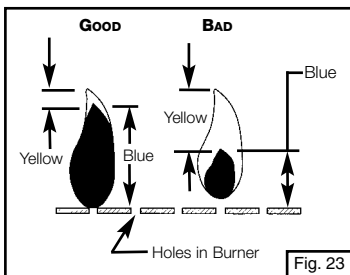


Fig. 23

NOTE: If the burner flame is accidentally extinguished, turn off the control knob and wait 5 minutes before relighting the appliance.

To Turn Off

Turn off the control knob (Fig. 24).



Fig. 24

To Store

⚠ DANGER



• EXPLOSION - FIRE HAZARD

- Never store propane near high heat, open flames, pilot lights, direct sunlight, other ignition sources or where temperatures exceed 120 degrees F (49°C).
- When the rotisserie and grill are not in use, the gas **MUST** be turned off at the fuel supply cylinder.
- Do not store a spare LP-gas cylinder under or near this appliance. Failure to follow the above instructions exactly may result in fire causing death or serious injury.

Care, Maintenance and Cleaning

CAUTION

All cleaning and maintenance should be done only when the rotisserie and grill are cool and with the fuel supply turned off at the cylinder.

Suggested Cleaning Materials:

- Mild dishwashing liquid detergent
- Hot water
- Nylon cleaning pad
- Soft, dry cloth

Component Cleaning:

- Make sure rotisserie is sufficiently cool.
- COOKING SURFACES: Wash the food contact surfaces with hot soapy water. These items include the rotisserie spit rod and meat forks. Remove stubborn residue with a mild cleanser and a nylon cleaning pad. DO NOT use a commercial oven cleaner. Wipe dry with a soft, dry cloth.
- EXTERIOR SURFACES: Clean exterior surfaces with mild soap and hot water. Remove stubborn residue with a mild cleanser and a nylon cleaning pad. DO NOT use abrasive cleaners. Wipe dry with a soft, dry cloth.

Igniter service:

The igniter for the rotisserie is a standard piezo igniter. It does not require a battery. See the parts list for replacement items for your rotisserie.

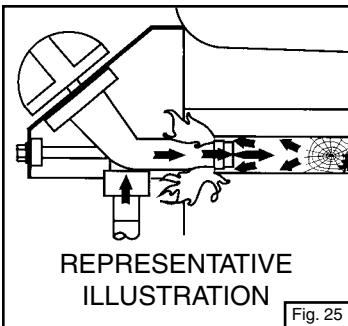
Preventive maintenance:

Light and burn the infrared burner at least once a month to ensure there is not a build-up of debris or grease on the burner. This will ensure the ceramic burner will continue to operate as it should.

Cleaning the Burner:

WARNING

Spider's nests or wasp's mud inside the burner tube may cause fire at the valve. If a fire occurs, immediately turn off the gas supply at the L.P. cylinder valve (see representative illustration in Fig. 25).

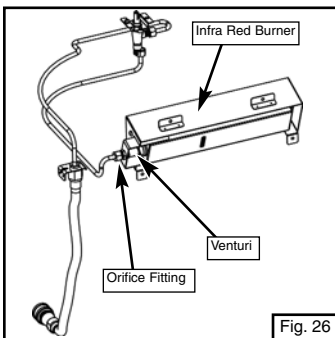


Note:

Spiders and small insects can spin webs and build nests inside the burner tube. This especially occurs in late summer and fall before frost when spiders are most active. These nests can obstruct gas flow and cause a fire in and around the burner valve. Such a fire can cause operator injury and serious damage to the rotisserie. To ensure full heat output, inspect the burner tube often (once or twice a month).

If your unit shows indications of insect webs or nests, contact your nearest service center or call Coleman for assistance. Figure 26 shows the areas for a service center to inspect.

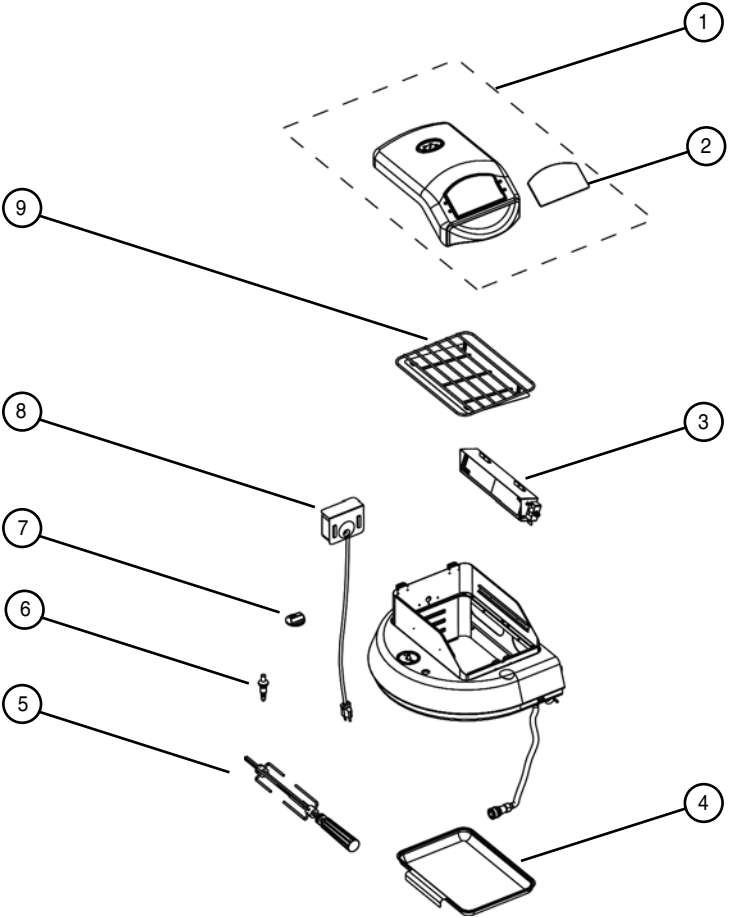
NOTE: Water or air pressure will not normally clear a spider web.



Parts List

No.	Part Number	Description
1	9987-5031	Lid Assembly
2	"Please Call"	Window Assembly
3	9987-5151	Burner Assembly
4	9987-2521	Grease Tray

No.	Part Number	Description
5	9987-5061	Spit Rod w/ Forks
6	9987-5111	Igniter Assembly
7	9986-5181	Knob Assembly
8	9987-2511	Motor Assembly
9	9987-5131	Wire Oven Rack



Warranty

Limited One Year Warranty

The Coleman Company, Inc. ("Coleman") warrants that for a period of one year from the date of original retail purchase, this product will be free from defects in material and workmanship. Coleman, at its option, will repair or replace this product or any component of the product found to be defective during the warranty period. Replacement will be made with a new or remanufactured product or component. If the product is no longer available, replacement may be made with a similar product of equal or greater value. This is your exclusive warranty.

This warranty is valid for the original retail purchaser from the date of initial retail purchase and is not transferable. Keep the original sales receipt. Proof of purchase is required to obtain warranty performance. Coleman dealers, service centers, or retail stores selling Coleman® products do not have the right to alter, modify or in any way change the terms and conditions of this warranty.

What This Warranty Does Not Cover

This warranty does not cover normal wear of parts, parts that are not genuine Coleman® parts, or damage resulting from any of the following: negligent use or misuse of the product; use on improper voltage or current; commercial use of the product; use contrary to the operating instructions; disassembly, repair or alteration by anyone other than Coleman or an authorized service center. Further, the warranty does not cover Acts of God, such as fire, flood, hurricanes and tornadoes. Warranty void if damage to product results from the use of a part other than a genuine Coleman® part.

COLEMAN SHALL NOT BE LIABLE FOR DEFECTS THAT ARE CAUSED BY THE USE OF UNAUTHORIZED PARTS OR SERVICE. COLEMAN SHALL NOT BE LIABLE FOR ANY INCIDENTAL OR CONSEQUENTIAL DAMAGES CAUSED BY THE BREACH OF ANY EXPRESS OR IMPLIED WARRANTY OR CONDITIONS. EXCEPT TO THE EXTENT PROHIBITED BY APPLICABLE LAW, ANY IMPLIED WARRANTY OF MERCHANTABILITY OR FITNESS FOR A PARTICULAR PURPOSE IS LIMITED IN DURATION TO THE DURATION OF THE ABOVE WARRANTY OR CONDITIONS. SOME STATES, PROVINCES, OR JURISDICTIONS DO NOT ALLOW THE EXCLUSION OR LIMITATION OF INCIDENTAL OR CONSEQUENTIAL DAMAGES OR LIMITATIONS ON HOW LONG AN IMPLIED WARRANTY LASTS, SO THE ABOVE LIMITATIONS OR EXCLUSION MAY NOT APPLY TO YOU. THIS WARRANTY GIVES YOU SPECIFIC LEGAL RIGHTS, AND YOU MAY ALSO HAVE OTHER RIGHTS THAT VARY FROM STATE TO STATE OR PROVINCE TO PROVINCE.

How to Obtain Warranty Service

Take the product to an authorized Coleman service center. You can find the nearest authorized Coleman service center by visiting www.coleman.com or calling 1-800-835-3278 or TDD 316-832-8707 in the United States or 1 800 387-6161 in Canada. If a service center is not conveniently located, attach to the product a tag that includes your name, address, daytime telephone number and description of the problem. Include a copy of the original sales receipt. Carefully package the product and send either by **courier** or **insured mail** with shipping and insurance prepaid to:

For products purchased in the United States:

The Coleman Company, Inc.
3600 North Hydraulic
Wichita, KS 67219

For products purchased in Canada:

Sunbeam Corporation (Canada) Limited
DBA Jarden Consumer Solutions
5975 Falbourne Street
Mississauga, Ontario
Canada L5R 3V8

The costs of transporting the product to Coleman or an authorized service center for warranty service is the responsibility of the purchaser.


Do not mail products with fuel in tanks, or with disposable propane cylinders. Remove glass globes from lanterns and wrap separately.

DO NOT RETURN THIS PRODUCT TO THE PLACE OF PURCHASE.

If you have any questions regarding this warranty please call 1-800-835-3278 or TDD 316-832-8707 in the United States or 1 800 387-6161 in Canada.



The Coleman Company, Inc. • 3600 North Hydraulic • Wichita, KS 67219 U.S.A.
1-800-835-3278 • TDD: 316-832-8707

© 2006 The Coleman Company, Inc. All rights reserved. Coleman® and  are registered trademarks and INSTASTART™ is a trademark of The Coleman Company, Inc.

www.coleman.com

9987-050 (20070109)