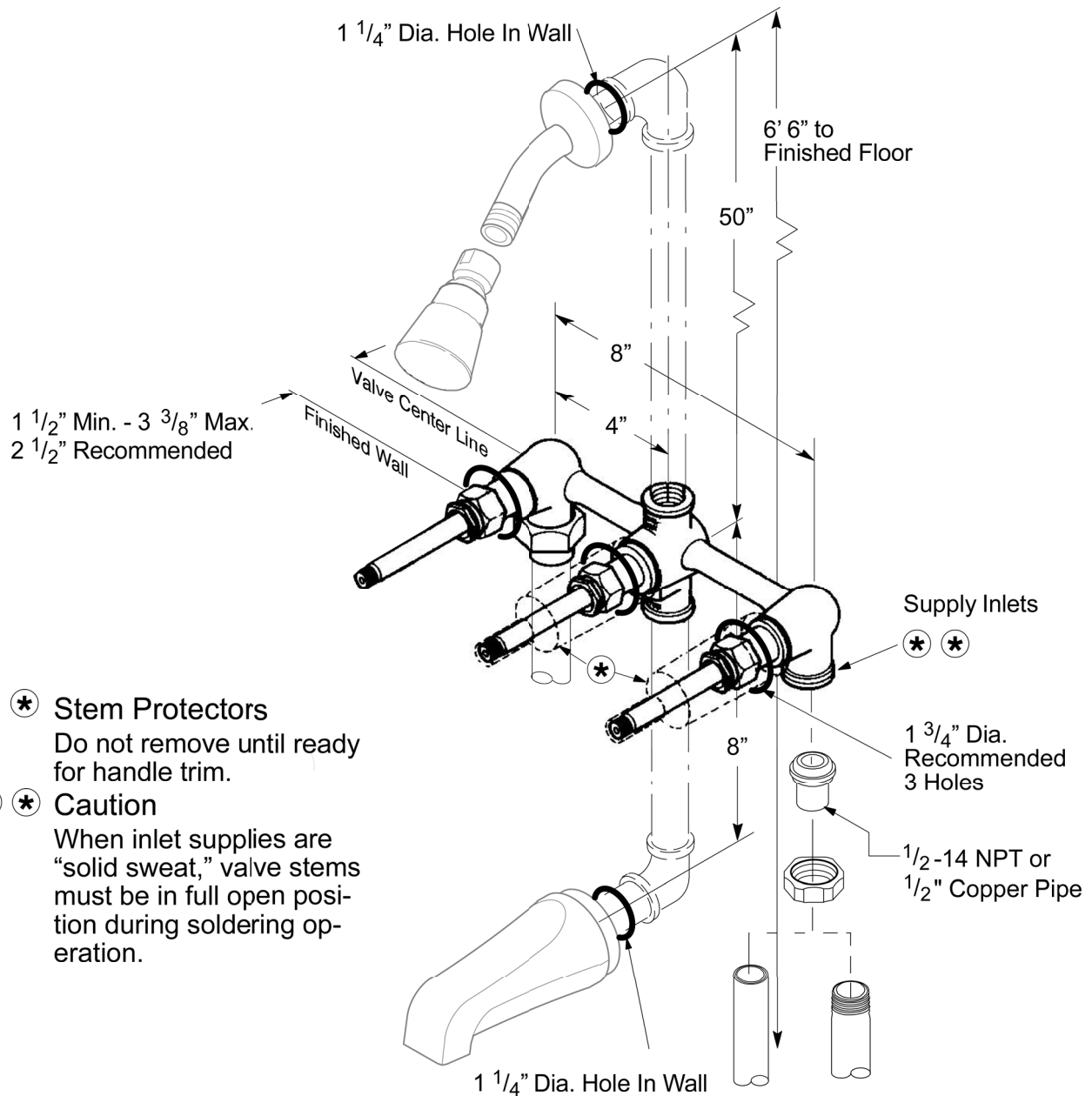


01 Series

Tub & Shower Valve



* Stem Protectors
Do not remove until ready for handle trim.

* * Caution
When inlet supplies are "solid sweat," valve stems must be in full open position during soldering operation.

1-800-PFAUCET www.pricepfister.com
19701 DaVinci, Lake Forest, CA 92610
01/28/03

Price Pfister®
Pf Pfreshet Ideas in Pf faucets.

SS-001-04