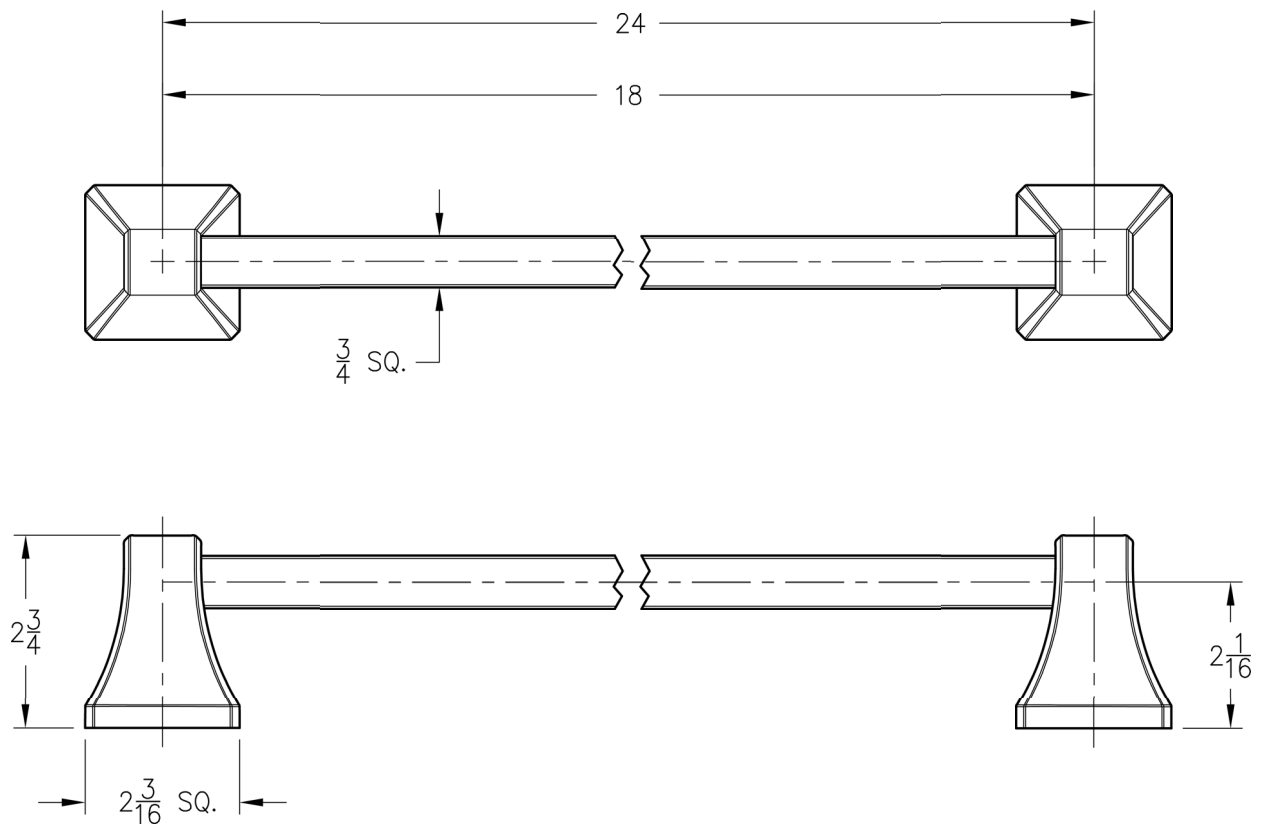


INSTALLATION DIMENSIONS

Park Avenue™

Accessories



Dimensions are in Inches

1-800-PFAUCET www.pricepfister.com
19701 DaVinci, Lake Forest, CA 92610
02/24/11

Pfister™

SS-BTB-FE-1