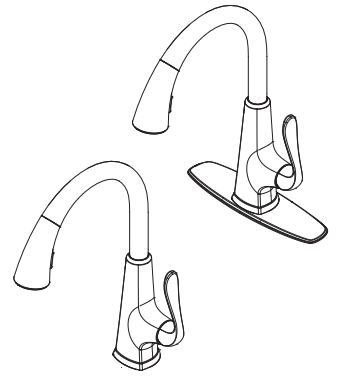


- F529-7PDC Finish(PC)
- F529-7PDS Finish(SS)
- F529-7PDY Finish(Y)
- F529-PDSL Finish(SL)



- AccuDock Spray Head Docking
- TiteSeal™ Deck Plate
- 1, 2, 3, or 4-Hole Installation
- Pforever Seal

Specifications

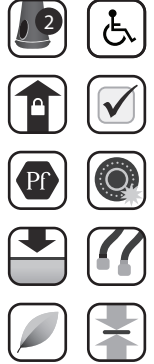
Features

- 2 Function Pull-Down Sprayer
- AccuDock Spray Head Docking
- High Arc Spout
- 360° Rotating Spout
- Flex-Line Supply Lines
- Mounting Hardware Included
- PVD Finish
- Soap Dispenser Included
- Pfinish Guard (SL Only)
- EZ Clean™
- TiteSeal™ Deck Plate
- Quick Install Tool
- Pfast Connect
- Pforever Seal Ceramic Disc Valve
- Pforever Warranty®

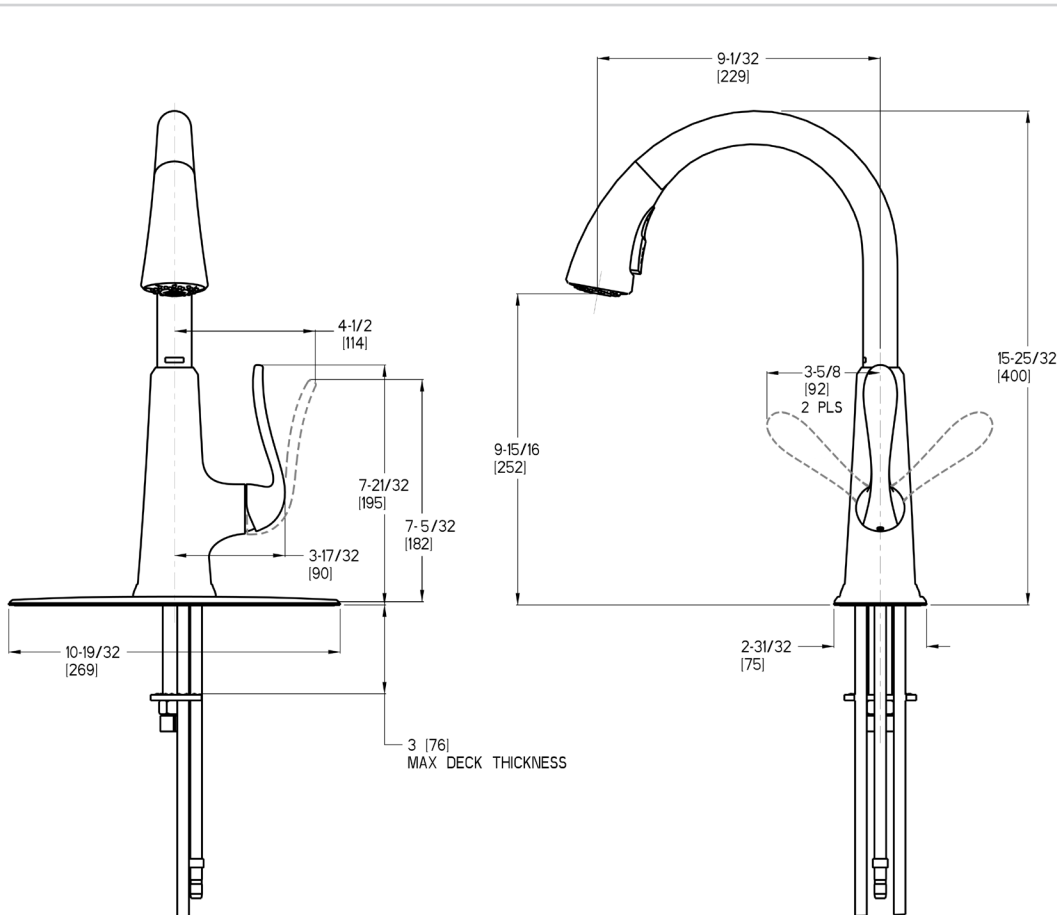
Code Compliance

Pfister products are designed and manufactured in compliance with the following standards and codes:

- IAPMO Certified
- CSA B125 Certified
- ASME A112.18.1
- NSF 61/9 Annex G (Low lead)
- Cal Green Compliant
- ADA Compliant-ANSI A117.1 (Lever handles only)

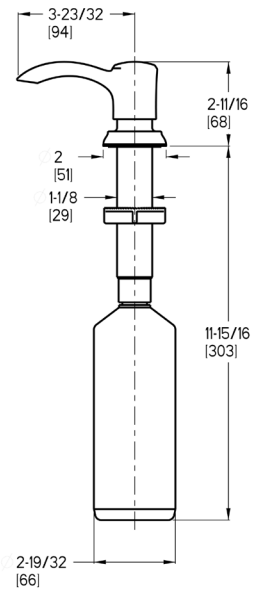


Dimensions



Ø1-3/8 Min to Ø1-1/2 Max. Deck Hole Openings

Top Filling Soap Dispenser



36 Inch Supply Lines with 3/8 Female Compression Brass Connections

