

# STANLEY®

## STANLEY®

© 2012 Stanley Black & Decker  
Hardware and Home Improvement Group  
19701 DaVinci • Lake Forest, CA USA 92610

IN-L-SY76012  
17484

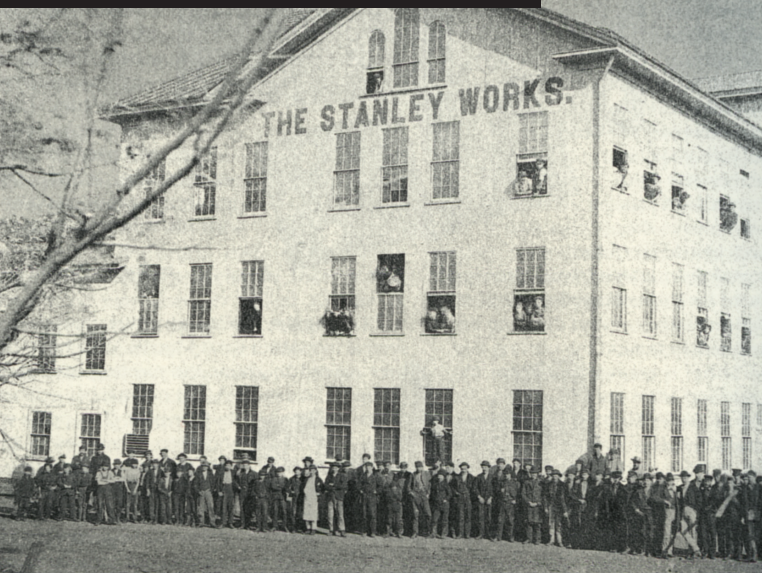


[WWW.STANLEYBLACKANDDECKER.COM](http://WWW.STANLEYBLACKANDDECKER.COM)  
[WWW.STANLEYHARDWARE.COM](http://WWW.STANLEYHARDWARE.COM)  
[WWW.STANLEYLA.COM](http://WWW.STANLEYLA.COM)

# PADLOCKS



Stanley Hardware **Since 1843**



As a young man in 1843, Frederick T. Stanley founded The Stanley Works — a small company that manufactured hinges, bolts and other door hardware in a one-story wooden building in New Britain, Connecticut. His vision was to create a hardware company with unsurpassed customer service, product innovation and integrity — and to offer products that would become the first choice among professionals around the world. With the early success of this mission and an increasing demand for his high-quality goods, Mr. Stanley began exporting his products in the 1870s.

Shortly after the turn of the century, his rapidly growing business established its first production facilities outside the U.S., helping Frederick Stanley begin to realize his worldwide mission. By 1920, Stanley® brand hardware was preferred, and could be found on every continent.

Today, over 160 years after Frederick T. Stanley first opened his doors for business, Stanley® is one of the world's most recognized and trusted brand names for hardware products. To learn more about the Stanley brand and breadth of products, visit The Stanley Black & Decker corporate web site.

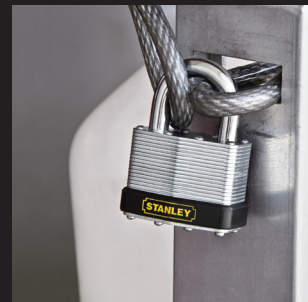
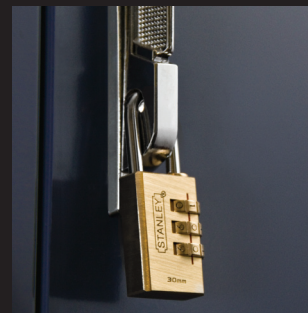
[www.stanleyblackanddecker.com](http://www.stanleyblackanddecker.com)  
[www.stanleyhardware.com](http://www.stanleyhardware.com)  
[www.stanleyla.com](http://www.stanleyla.com)

**STANLEY**®

■ Security 24/7 Professional Grade	2-11
■ Laminated Padlocks	12-13
■ Combination Padlocks	14-15
■ Armored Padlocks	16-17
■ Bayonette Padlocks	18-19
■ Brass Padlocks	20-25
■ Marine Padlocks	26-28



- Security ratings tested to ASTM and AS Australian Standards
- Precision locking mechanisms
- Extra security features
- Highest quality materials
- Extra key blanks available





The Stanley® 24/7 Professional Grade Hardened Steel Security Lock offers high quality, top-level protection. The hardened steel body makes it impenetrable providing maximum security and peace of mind regardless of the job, project or application.

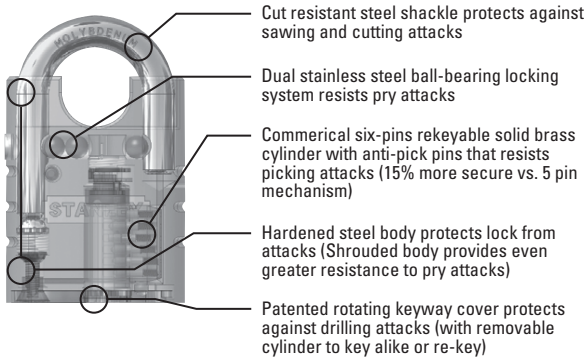


50 mm  
1" Shackle

50 mm  
1" Shackle - 2 Pack

60 mm  
1" Shackle

## Features & Benefits



PRODUCT SPECIFICATIONS	
<b>BODY</b>	
Body Material	Hardened Steel
Design	Fully shrouded body
Size	50mm & 60mm
<b>SHACKLE</b>	
Shackle Material	Hardened molybdenum alloy steel
Shackle Clearance	1"
Shackle Diameter	3/8" (9.5mm) 50mm lock 7/16" (11.1mm) 60mm lock
Removable Shackle	Yes
Shackle Finish	Nickel / Chrome
<b>MECHANISM</b>	
Keys	2 solid brass nickel plated and molded keybow
Keyway	SC4
Anti-Drill Keyway Shield	Patented spinning disc (hardened steel)
Cylinder Retainer Plate	Hardened steel
Cylinder	Full size, removable & KA
Cylinder Material	Solid brass plug & shell
Cylinder Pin Chambers	6
Pin Material	Hardened steel & nickel silver bottom pins, solid brass top pins
Anti-Pick Features	Yes (Spool driver pins)
Locking Mechanism	Solid brass cam (duplex nickel plated)
Locking Bolts	2 Stainless steel ball-bearings

CATALOG #	CD8820	CD8820	CD8820
STOCK #	S828-145	S828-152	S828-160
PRODUCT DESC.	Hardened Steel Security Lock 2" / 50mm	2 Hardened Steel Security Locks 2" / 50mm	Hardened Steel Security Locks 2.5" / 60mm (Keyed Alike)
SHACKLE CLEARANCE	1"	1"	1"
ASTM SECURITY GRADE	4	4	5
PACKAGING	Individual: 1 Box: 2	Individual: 2 Box: 2	Individual: 1 Box: 2
UPC	033923828147	033923828154	033923828161





The Stanley® 24/7 Professional Grade All-Weather Solid Brass Security Lock features a solid brass body that protects it from corrosion and a molded rubber cover to protect the keyway in extreme weather environments. In addition, it still has all the maximum security features your application demands.



50 mm  
1-1/2" Shackle

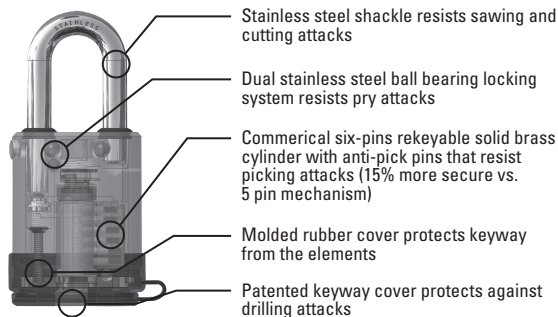


50 mm  
2-1/2" Shackle



50 mm  
2-1/2" Shackle - 2 Pack

## Features & Benefits



PRODUCT SPECIFICATIONS	
<b>BODY</b>	
Body Material	Solid brass body
Design	Non-shrouded
Size	50mm
<b>SHACKLE</b>	
Shackle Material	Stainless steel
Shackle Clearance	1-1/2" & 2-1/2"
Shackle Diameter	3/8" (9.5mm) 50mm lock
Removable Shackle	Yes
Shackle Finish	Stainless steel
<b>MECHANISM</b>	
Keys	2 solid brass nickel plated and molded keybow
Keyway	SC4
Keyway Cover	Molded rubber
Anti-Drill Keyway Shield	Patented spinning disc (hardened steel)
Cylinder Retainer Plate	Hardened steel
Cylinder	Full size, removable & KA
Cylinder Material	Solid brass plug & shell
Cylinder Pin Chambers	6
Pin Material	Hardened steel & nickel silver bottom pins, solid brass top pins
Anti-Pick Features	Yes (Spool driver pins)
Locking Mechanism	Solid brass cam (duplex nickel plated)
Locking Bolts	2 Stainless steel ball bearings

CATALOG #	CD8822	CD8822	CD8822
STOCK #	S828-194	S828-202	S828-210
PRODUCT DESC.	All-Weather Solid Brass Security Lock 2" / 50mm	All-Weather Solid Brass Security Lock 2" / 50mm	2 All-Weather Solid Brass Security Locks 2" / 50mm (Keyed Alike)
SHACKLE CLEARANCE	1-1/2"	2-1/2"	2-1/2"
ASTM SECURITY GRADE	4	4	4
PACKAGING	Individual: 1 Box: 2	Individual: 1 Box: 2	Individual: 2 Box: 2
UPC	033923828192	033923828208	033923828215





With a heavy duty laminated steel body, hardened steel end caps and recessed rivets, the Stanley® 24/7 Professional Grade Laminated Security Lock brings maximum protection to the job site. Also available with a shrouded body, providing even greater resistance to pry attacks.



50 mm  
1" Shackle



50 mm  
1" Shackle  
2 Pack

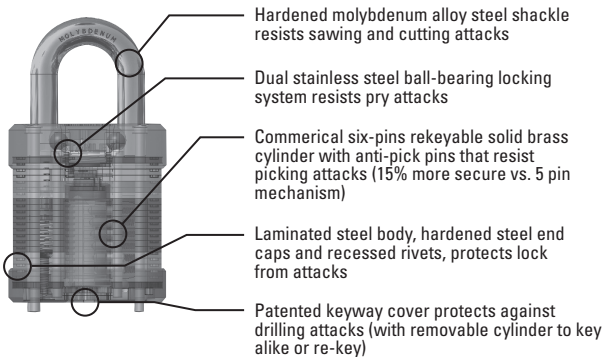


50 mm  
1" Shackle  
Shrouded Body



60 mm  
1/2" Shackle

### Features & Benefits



#### PRODUCT SPECIFICATIONS

##### BODY

Body Material	Laminated steel body, hardened steel end caps & recessed rivets
Design	Shrouded & non shrouded
Size	50mm & 60mm

##### SHACKLE

Shackle Material	Hardened molybdenum alloy steel
Shackle Clearance	1" 50mm lock & 2-1/2" 60mm lock
Shackle Diameter	3/8" (9.5mm) 50mm lock & 7/16 (11.1") 60mm lock
Removable Shackle	Yes
Shackle Finish	Nickel / Chrome

##### MECHANISM

Keys	2 solid brass nickel plated and molded keybow
Keyway	SC4
Anti-Drill Keyway Shield	Patented spinning disc (hardened steel)
Cylinder Retainer Plate	Hardened steel
Cylinder	Full size, removable & KA
Cylinder Material	Solid brass plug & shell
Cylinder Pin Chambers	6
Pin Material	Hardened steel & nickel silver bottom pins, solid brass top pins
Anti-Pick Features	Yes (Spool driver pins)
Locking Mechanism	Solid brass cam (duplex nickel plated)
Locking Bolts	2 Stainless steel ball bearings

CATALOG #	CD8823	CD8824	CD8824	CD8824
STOCK #	S828-228	S830-810	S828-236	S828-244
PRODUCT DESC.	Laminated Security Lock 2" / 50mm (Shrouded)	Laminated Security Lock 2" / 50mm	2 Laminated Security Locks 2" / 50mm (Keyed Alike)	Laminated Security Lock 2.5" / 60mm
SHACKLE CLEARANCE	1"	1"	1"	1-1/2"
ASTM SECURITY GRADE	4	4	4	5
PACKAGING	Individual: 1 Box: 2	Individual: 1 Box: 2	Individual: 2 Box: 2	Individual: 1 Box: 2
UPC	033923828222	033923830812	033923828239	033923828246



The Stanley® 24/7 Professional Grade Combination Lock offers all the features of a high security lock with the convenience of a combination lock. The rugged and superior quality construction makes it a top-of-the-line combination lock for all professionals.

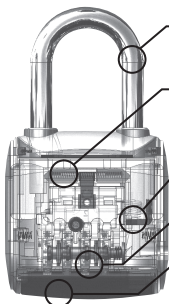


50 mm  
1-1/2" Shackle



50 mm  
2-1/2" Shackle

### Features & Benefits



- Hardened molybdenum alloy steel shackle resists sawing and cutting attacks
- Dual hardened steel locking bolt system resists pry attacks
- Corrosion resistant, solid brass internal components
- Set your combination — no keys required
- Snap fit bottom cover seals lock from the elements

PRODUCT SPECIFICATIONS	
BODY	
Design	Non shrouded
Size	50mm
SHACKLE	
Shackle Material	Hardened molybdenum alloy steel
Shackle Clearance	1-1/2" & 2-1/2"
Shackle Diameter	5/16" (7.93mm) 50mm lock
Removable Shackle	Not available
Shackle Finish	Nickel / Chrome
MECHANISM	
Keys	1 Combination resetting key
Combination Mechanism	4 wheel dial combo, firm detent positions
Dial Cover	Solid molded black cover hinged permanently to body
Anti-Pick Features	Yes (Internal anti-pick, anti-hammer system)
Locking Mechanism	Solid brass internal components, hardened steel locking pins
Locking Bolts	Hardened steel double locking bolts (Bolsters)

CATALOG #	CD8821	CD8821
STOCK #	S828-178	S828-186
PRODUCT DESC.	Combination Security Lock 2" / 50mm	Combination Security Lock 2" / 50mm
SHACKLE CLEARANCE	1-1/2"	2-1/2"
ASTM SECURITY GRADE	3	3
PACKAGING	Individual: 1 Box: 2	Individual: 1 Box: 2
UPC	033923828178	033923828185



Snap fit bottom cover revealing combination mechanism





### Weather Resistant Combination Padlock with Cable

#### Laminated Padlock with Cable

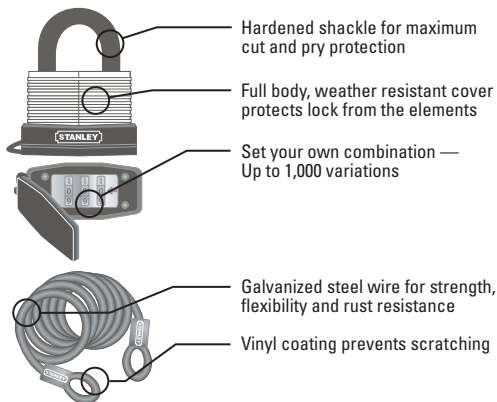
- Hardened steel shackle with quality plating
- Lever locking mechanism
- Precision pin tumbler brass cylinder
- Double steel ball locking mechanism

#### Universal 4' Cable

- Strong, galvanized steel wire
- Secure looped ends
- Scratch-proof coating



### Features & Benefits



CATALOG #	V8810
STOCK #	S824-292
BODY SIZE	40mm
KEYS	2 Keyed Alike
PACKAGING	Individual: 1 Box: 5
UPC	033923824293



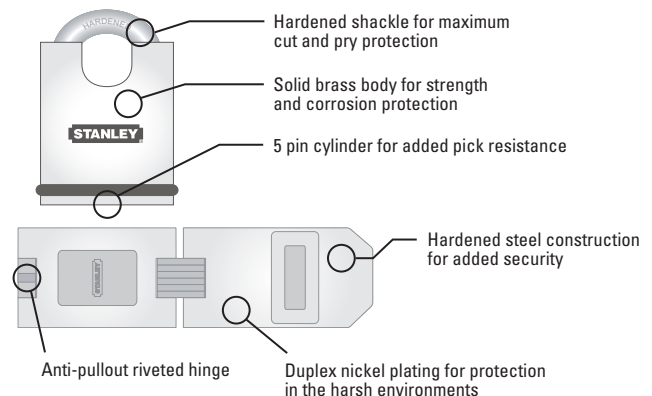
### Premium Shrouded Padlock with Heavy-Duty Security Hasp

#### Premium Resistant Combination Padlock

- Hardened shackle
- Solid brass body & cylinder
- Added pick resistance

#### Heavy-Duty Security Hasp

- Hardened locking post
- Hinged design for multiple mounting options
- Concealed fasteners



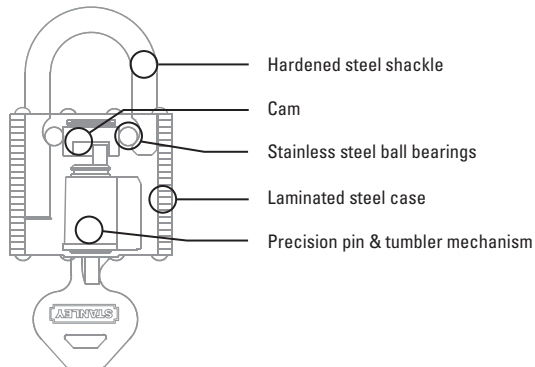
CATALOG #	V8800
STOCK #	S824-284
BODY SIZE	40mm
KEYS	2 Keyed Alike
PACKAGING	Individual: 1 Box: 5
UPC	033923824286



These general use padlocks are ideal for residential or light commercial applications such as gates, fences, tool chests and other related storage needs. Featuring a wide laminated steel body and its extra secure double locking levers, the Stanley® Laminated Steel Padlocks offer superior strength and barrier resistance against cut or pry attacks. Its laminated steel core helps resist break-in attempts and a reinforced body bumper aids against scratching your property.



## Features & Benefits



### PRODUCT SPECIFICATIONS

BODY	
Body Material	Steel / Zinc
Design	Laminated with body bumper
Size	30mm - 50mm
SHACKLE	
Shackle Material	Hardened steel
Shackle Diameter	30mm - 50mm
Shackle Finish	Nickel / Chrome
MECHANISM	
Keys	2 keyed alike solid brass nickel plated
Keyway	M1
Cylinder	Pin & tumbler
Cylinder Material	Steel
Cylinder Pin Chambers	4-5
Pin Material	Brass
Spring Material	Stainless steel
Locking Mechanism	Stainless steel ball bearing locking system

### VISUAL PACK (VP)

CAT. #	CD8710	CD8710	CD8710	CD8710-4
STK. #	S203-265	S203-273	S203-281	S203-406
BODY SIZE	30mm	40mm	50mm	40mm x 4
PKG.	VP: 1 / Box: 6 Case: 36	VP: 1 / Box: 6 Case: 36	VP: 1 / Box: 6 Case: 36	VP: 1 / Box: 6 Case: 24
BOX DIM.	164x91x94 (mm)	176x115x112 (mm)	200x136x130 (mm)	230x174x144 (mm)
CASE DIM.	305x180x222 (mm)	373x191x258 (mm)	436x215x295 (mm)	370x245x320 (mm)
UPC	798660203267	798660203274	798660203281	798660203403

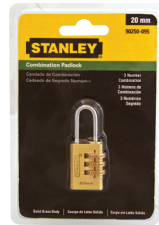


# COMBINATION PADLOCKS

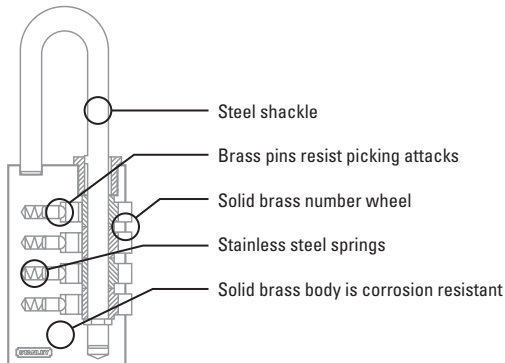
COMBINATION PADLOCKS



Stanley® Combination Padlocks are made with a high quality solid brass case and wheels designed to provide basic protection for indoor applications. Combination brass padlocks are superior for light duty usage such as securing luggage or storage lockers. They are available in both three and four number combinations.



## Features & Benefits



PRODUCT SPECIFICATIONS	
<b>BODY</b>	
Body Material	Sold brass
Design	Solid brass case & wheels
Size	20mm-40mm
<b>SHACKLE</b>	
Shackle Material	Hardened steel
Shackle Design	Standard shackle
Shackle Diameter	20mm-40mm
Shackle Finish	Nickel / Chrome
<b>MECHANISM</b>	
Cylinder Mechanism	Pin & tumbler
Cylinder Material	Solid brass
Cylinder Pin Chambers	3-4
Pin Material	Brass
Spring Material	Stainless steel
Combinations	1000+ resettable combinations

## VISUAL PACK (VP)

CAT. #	3-Digit		4-Digit		
	CD5680	CD5680	CD5680	CD5680	CD5680
STK. #	S826-980	S826-983	S826-986	S826-989	S826-992
BODY SIZE	20mm	30mm	20mm	30mm	40mm
AS STD. GRADE	Security Rtg.: N/A Corrosion Rtg.: Indoor	Security Rtg.: N/A Corrosion Rtg.: Indoor	Security Rtg.: N/A Corrosion Rtg.: Indoor	Security Rtg.: N/A Corrosion Rtg.: Indoor	Security Rtg.: N/A Corrosion Rtg.: Indoor
PKG.	VP: 1 Box: 12 Case: 120	VP: 1 Box: 12 Case: 120	VP: 1 Box: 12 Case: 240	VP: 1 Box: 12 Case: 120	VP: 1 Box: 12 Case: 96
BOX DIM.	165x105x150 (mm)	200x105x190 (mm)	165x105x150 (mm)	200x105x190 (mm)	260x105x175 (mm)
CASE DIM.	550x345x165 (mm)	550x415x205 (mm)	550x345x165 (mm)	550x415x205 (mm)	540x435x190 (mm)

## BOX PACK (BP)

CAT. #	5680	5680	5680	5680	5680
STK. #	S826-981	S826-984	S826-987	S826-991	S826-993
BODY SIZE	20mm	30mm	20mm	30mm	40mm
PKG.	BP: 1 Box: 12	BP: 1 Box: 12	BP: 1 Box: 12	BP: 1 Box: 12	BP: 1 Box: 12
BOX DIM.	125x57x65 (mm)	125x57x65 (mm)	125x75x90 (mm)	125x75x90 (mm)	125x75x90 (mm)

COMBINATION PADLOCKS

## ARMORED PADLOCKS

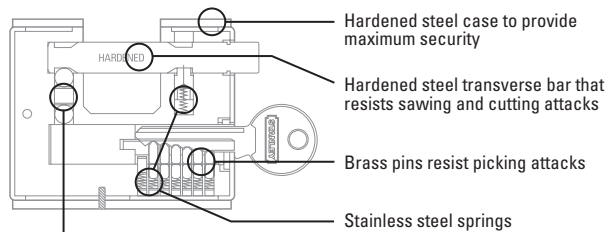
ARMORED PADLOCKS



The Stanley® Armored Padlock with a hardened steel case provides a high level of security for both commercial and residential use. These padlocks utilize a hardened steel transverse bar that rotates to prevent saw attacks. To protect against drill attacks on the keyway, the cylinder employs an anti-drill plate. These features deliver the security that many other padlocks fail to provide which often results in property loss or damage.



### Features & Benefits



Dual stainless steel ball bearing locking system resists pry attacks

#### PRODUCT SPECIFICATIONS

BODY	
Body Material	Soild brass with hardened steel case
Design	Hardened steel case cover
Size	60mm - 90mm
SHACKLE	
Shackle Material	Hardened steel transverse bar
Shackle Diameter	60mm - 90mm
Shackle Finish	Nickel / Chrome
MECHANISM	
Keys	2 solid brass nickel plated
Keyway	M1
Cylinder	Pin & tumbler
Cylinder Material	Solid brass
Cylinder Pin Chambers	5
Pin Material	Stainless steel
Locking Mechanism	Hardened transverse bar

#### VISUAL PACK (VP)

CAT. #	CD5600	CD5600	CD5600	CD5600
STK. #	S824-624	S824-627	S824-630	S824-633
BODY SIZE	60mm	70mm	80mm	90mm
AS STD. GRADE	Security Rtg.: 7 Corrosion Rtg.: Outdoor	Security Rtg.: 7 Corrosion Rtg.: Outdoor	Security Rtg.: 8 Corrosion Rtg.: Outdoor	Security Rtg.: 8 Corrosion Rtg.: Outdoor
PKG.	VP: 1 / Box: 6 Case: 36	VP: 1 / Box: 6 Case: 24	VP: 1 / Box: 6 Case: 24	VP: 1 / Box: 6 Case: 24
BOX DIM.	250x140x100 (mm)	250x140x100 (mm)	250x140x120 (mm)	250x140x120 (mm)
CASE DIM.	520x435x115 (mm)	520x295x125 (mm)	520x295x125 (mm)	520x295x125 (mm)

#### BOX PACK (BP)

CAT. #	5600	5600
STK. #	S824-625	S824-632
BODY SIZE	60mm	80mm
PKG.	BP: 1 / Box: 6	BP: 1 / Box: 6
BOX DIM.	165x79x61 (mm)	240x140x200 (mm)

ARMORED PADLOCKS



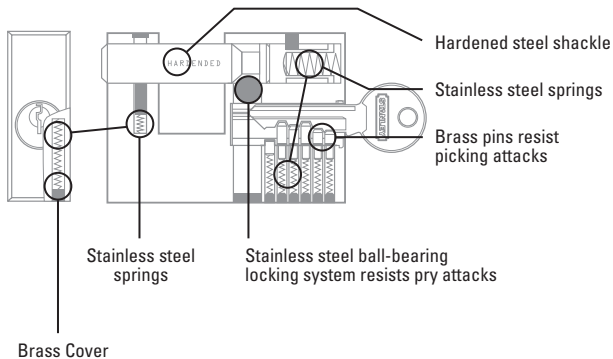
# BAYONETTE PADLOCKS



The Stanley® Bayonette Padlock is a good choice for both commercial and residential security needs. The bayonette design is ideal for use with roller shutter doors and prevents against traditional bolt cutter attacks. These solid brass padlocks utilize a hardened-steel transverse bar that rotates to prevent saw attacks. In addition, the brass pins in the keyway and stainless steel springs deliver the long term performance you expect from a brand like Stanley.



## Features & Benefits



### PRODUCT SPECIFICATIONS

BODY	
Body Material	Sold Brass
Design	Rectangular
Size	50mm, 70mm & 90mm
SHACKLE	
Shackle Material	Hardened steel
Shackle Diameter	50mm, 70mm & 90mm
Shackle Finish	Nickel / Chrome
MECHANISM	
Keys	2 solid brass nickel plated
Keyway	M1
Cylinder	Pin & tumbler
Cylinder Material	Solid brass
Cylinder Pin Chambers	5
Pin Material	Stainless steel
Locking Mechanism	Stainless steel ball bearing locking system

### VISUAL PACK (VP)

CAT. #	CD5620	CD5620	CD5620
STK. #	S824-636	S824-639	S824-642
BODY SIZE	50mm	70mm	90mm
AS STD. GRADE	Security Rtg.: 5 Corrosion Rtg.: Outdoor	Security Rtg.: 6 Corrosion Rtg.: Outdoor	Security Rtg.: 6 Corrosion Rtg.: Outdoor
PKG.	VP: 1 / Box: 6 Case: 60	VP: 1 / Box: 6 Case: 36	VP: 1 / Box: 6 Case: 24
BOX DIM.	170x105x90 (mm)	210x115x100 (mm)	220x140x105 (mm)
CASE DIM.	550x355x105 (mm)	440x360x115 (mm)	460x295x120 (mm)

### BOX PACK (BP)

CAT. #	5620	5620	5620
STK. #	S824-637	S824-640	S824-643
BODY SIZE	50mm	70mm	90mm
PKG.	BP: 1 / Box: 12	BP: 1 / Box: 6	BP: 1 / Box: 6
BOX DIM.	140x95x68 (mm)	155x95x63 (mm)	155x115x72 (mm)

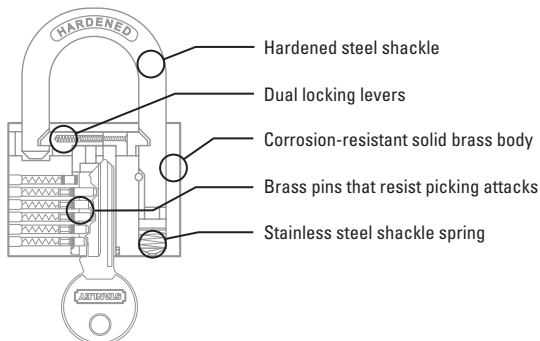
## BRASS PADLOCKS - STANDARD SHACKLE



The line of Stanley® standard shackle brass padlocks are suited for both indoor or outdoor use. Constructed with brass pins, stainless steel springs and a double locking hardened steel shackle, these locks deliver strength, security and peace of mind for residential and commercial applications.



### Features & Benefits



#### PRODUCT SPECIFICATIONS

BODY	
Body Material	Sold brass
Design	Non-shrouded
Size	20mm-70mm
SHACKLE	
Shackle Material	Hardened steel
Shackle Design	Standard shackle
Shackle Diameter	20mm-70mm
Shackle Finish	Nickel / Chrome
MECHANISM	
Keys	2 solid brass nickel plated
Keyway	M1
Cylinder	Pin & tumbler
Cylinder Material	Solid brass
Cylinder Pin Chambers	4-5
Pin / Spring Material	Brass pins / Stainless steel springs
Locking Mechanism	Stainless steel ball bearing locking system

#### VISUAL PACK (VP)

CAT. #	CD5640	CD5640	CD5640
STK. #	S824-645	S824-648	S824-651
BODY SIZE	20mm	25mm	30mm
AS STD. GRADE	Security Rtg.: 2 Corrosion Rtg.: Outdoor	Security Rtg.: 2 Corrosion Rtg.: Outdoor	Security Rtg.: 3 Corrosion Rtg.: Outdoor
PKG.	VP: 1 / Box: 12 Case: 300	VP: 1 / Box: 12 Case: 300	VP: 1 / Box: 12 Case: 240
BOX DIM.	165x105x150 (mm)	165x105x150 (mm)	165x105x150 (mm)
CASE DIM.	780x550x180 (mm)	780x550x180 (mm)	780x550x180 (mm)

CAT. #	CD5640	CD5640	CD5640	CD5640
STK. #	S824-654	S824-657	S824-660	S824-663
BODY SIZE	40mm	50mm	60mm	70mm
AS STD. GRADE	Security Rtg.: 4 Corrosion Rtg.: Outdoor	Security Rtg.: 4 Corrosion Rtg.: Outdoor	Security Rtg.: 5 Corrosion Rtg.: Outdoor	Security Rtg.: 6 Corrosion Rtg.: Outdoor
PKG.	VP: 1 / Box: 12 Case: 120	VP: 2 / Box: 6 Case: 60	VP: 3 / Box: 6 Case: 30	VP: 4 / Box: 6 Case: 30
BOX DIM.	185x105x170 mm	210x105x100 mm	230x105x105 mm	265x115x85 mm
CASE DIM.	550x435x115 mm	550x435x115 mm	550x245x120 mm	600x180x100 mm



## STANDARD SHACKLE, CONT.

### COMBO PACKS (VISUAL PACK)

CAT. #	CD5690	CD5690	CD5690	CD5690
STK. #	S827-403	S827-405	S827-408	S827-411
BODY SIZE	25mm	30mm	40mm	50mm
COMBO PACK QTY.	2	2	2	2
KEY ALIKE QTY.	3	3	3	3
BOX DIM.	165x105x150 (mm)	165x105x170 (mm)	195x142x160 (mm)	220x142x100 (mm)
CASE DIM.	550x345x180 (mm)	550x345x180 (mm)	450x350x175 (mm)	460x380x115 (mm)
QTY.	Box: 12 Case: 120	Box: 12 Case: 120	Box: 12 Case: 60	Box: 6 Case: 30

### COMBO PACKS (VISUAL PACK)

CAT. #	CD5690	CD5690	CD5690	CD5690
STK. #	S827-414	S827-417	S827-420	S827-423
BODY SIZE	30mm	40mm	50mm	30mm
COMBO PACK QTY.	3	3	3	4
KEY ALIKE QTY.	5	5	5	5
BOX DIM.	340x142x160 (mm)	340x142x160 (mm)	235x142x140 (mm)	340x142x160 (mm)
CASE DIM.	700x440x175 (mm)	450x355x175 (mm)	450x250x155 (mm)	600x355x175 (mm)
QTY.	Box: 12 Case: 72	Box: 12 Case: 36	Box: 6 Case: 18	Box: 12 Case: 48

### COMBO PACKS (VISUAL PACK)

CAT. #	CD5690	CD5690	CD5690	CD5690
STK. #	S827-426	S827-429	S827-435	S827-441
BODY SIZE	40mm	50mm	40mm	50mm
COMBO PACK QTY.	4	4	5	5
KEY ALIKE QTY.	5	5	7	7
BOX DIM.	340x142x160 (mm)	235x142x140 (mm)	235x235x125 (mm)	235x235x140 (mm)
CASE DIM.	360x300x175 (mm)	450x250x155 (mm)	490x490x140 (mm)	490x250x155 (mm)
QTY.	Box: 12 Case: 24	Box: 6 Case: 18	Box: 6 Case: 24	Box: 6 Case: 12

### BOX PACK (BP)

CAT. #	5640	5640	5640
STK. #	S824-646	S824-650	S824-652
BODY SIZE	20mm	25mm	30mm
PKG.	BP: 1 Box: 12	BP: 1 Box: 12	BP: 1 Box: 12
BOX DIM.	86x78x35 (mm)	105x60x51 (mm)	110x65x61 (mm)

### BOX PACK (BP)

CAT. #	5640	5640	5640	5640
STK. #	S824-655	S824-658	S824-661	S824-665
BODY SIZE	40mm	50mm	60mm	70mm
PKG.	BP: 1 Box: 12	BP: 1 Box: 12	BP: 1 Box: 12	BP: 1 Box: 12
BOX DIM.	123x83x76 (mm)	140x107x83 (mm)	160x100x64 (mm)	178x120x79 (mm)

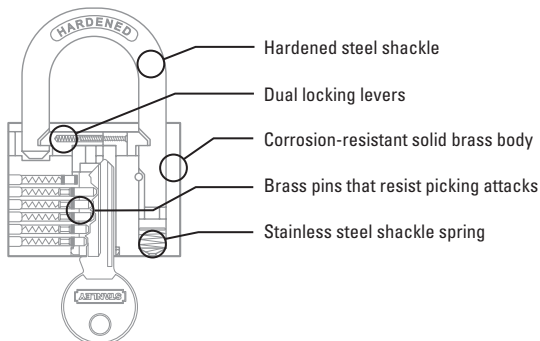
## BRASS PADLOCKS - LONG SHACKLE



The Stanley® line of long shackle brass padlocks work best in areas where the application requires a long “neck” or shackle to provide an extended reach. Constructed with brass pins, stainless steel springs and a double locking hardened steel shackle, these padlocks are ideal for indoor or outdoor applications.



### Features & Benefits



#### PRODUCT SPECIFICATIONS

##### BODY

Body Material	Solid brass
Design	Non-shrouded
Size	20mm-70mm

##### SHACKLE

Shackle Material	Hardened steel
Shackle Design	Long shackle
Shackle Diameter	20mm-70mm
Shackle Finish	Nickel / Chrome

##### MECHANISM

Keys	2 keyed alike solid brass nickel plated
Keyway	M1
Cylinder Mechanism	Pin & tumbler
Cylinder Material	Solid brass
Cylinder Pin Chambers	4-5
Pin / Spring Material	Brass pins / Stainless steel springs
Locking Mechanism	Double locking shackle

#### VISUAL PACK (VP)

CAT. #	CD5650	CD5650	CD5650	CD5650	CD5650
STK. #	S824-666	S824-669	S824-673	S824-676	S824-679
BODY SIZE	20mm	25mm	30mm	40mm	50mm
AS STD. GRADE	Security Rtg.: 2 Corrosion Rtg.: Outdoor	Security Rtg.: 2 Corrosion Rtg.: Outdoor	Security Rtg.: 3 Corrosion Rtg.: Outdoor	Security Rtg.: 4 Corrosion Rtg.: Outdoor	Security Rtg.: 4 Corrosion Rtg.: Outdoor
PKG.	VP: 1 Box: 12 Case: 300	VP: 1 Box: 12 Case: 240	VP: 1 Box: 12 Case: 120	VP: 1 Box: 12 Case: 120	VP: 2 Box: 6 Case: 60
BOX DIM.	165x105x150 (mm)	165x105x150 (mm)	165x105x150 (mm)	185x105x170 (mm)	210x105x100 (mm)
CASE DIM.	780x550x180 (mm)	550x345x320 (mm)	550x345x320 (mm)	550x385x185 (mm)	550x435x115 (mm)

#### BOX PACK (BP)

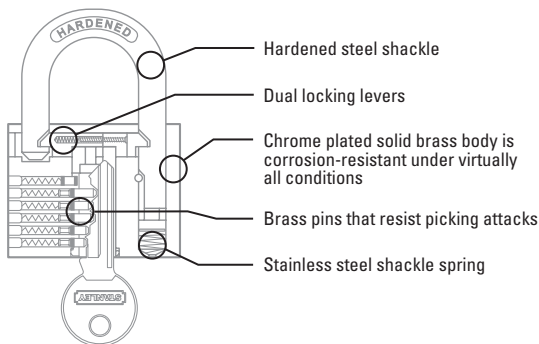
CAT. #	5650	5650	5650	5650	5650
STK. #	S824-667	S824-670	S824-674	S824-677	S824-683
BODY SIZE	20mm	25mm	30mm	40mm	50mm
PKG.	BP: 1/Box: 12	BP: 1/Box: 12	BP: 1/Box: 12	BP: 1/Box: 12	BP: 1/Box: 12
BOX DIM.	100x51x53 (mm)	105x60x61 (mm)	110x75x65 (mm)	123x95x43 (mm)	140x131x54 (mm)



The Stanley Marine Padlocks offer additional protection against corrosion near coastal environments. Utilizing the same features found on our Brass padlocks, the Marine line of padlocks features an exterior chrome plating that make them an ideal choice for securing property in outdoor applications. Available in standard or long shackle.



Features & Benefits



PRODUCT SPECIFICATIONS

BODY	
Body Material	Sold brass
Design	Chrome plated
Size	25mm-60mm
SHACKLE	
Shackle Material	Hardened steel
Shackle Design	Standard / Long shackle
Shackle Diameter	25mm-60mm
Shackle Finish	Nickel / Chrome
MECHANISM	
Keys	2 keyed alike solid brass nickel plated
Keyway	M1
Cylinder	Pin & tumbler
Cylinder Material	Solid brass
Cylinder Pin Chambers	4-5
Pin / Spring Material	Brass pins / Stainless steel springs
Locking Mechanism	Double locking shackle

VISUAL PACK (VP) — STANDARD SHACKLE

CAT. #	CD5660	CD5660	CD5660
STK. #	S824-700	S824-703	S824-706
BODY SIZE	25mm	30mm	40mm
AS STD. GRADE	Security Rtg.: 2 Corrosion Rtg.: Exposed	Security Rtg.: 3 Corrosion Rtg.: Exposed	Security Rtg.: 4 Corrosion Rtg.: Exposed
PKG.	VP: 1 / Box: 12 Case: 300	VP: 1 / Box: 12 Case: 240	VP: 1 / Box: 12 Case: 120
BOX DIM.	165x105x150 (mm)	165x105x170 (mm)	185x105x170 (mm)
CASE DIM.	780x550x180 (mm)	690x550x180 (mm)	550x385x185 (mm)

CAT. #	CD5660	CD5660
STK. #	S824-709	S824-712
BODY SIZE	50mm	60mm
AS STD. GRADE	Security Rtg.: 4 Corrosion Rtg.: Exposed	Security Rtg.: 5 Corrosion Rtg.: Exposed
PKG.	VP: 1 / Box: 6 Case: 60	VP: 1 / Box: 6 Case: 30
BOX DIM.	210X105X100 (mm)	230X105X105 (mm)
CASE DIM.	550x435x115 (mm)	550x245x120 (mm)



## VISUAL PACK (VP) — LONG SHACKLE

CAT. #	CD5670	CD5670	CD5670	CD5670
STK. #	S824-715	S824-718	S824-721	S824-724
BODY SIZE	25mm	30mm	40mm	50mm
AS STD. GRADE	Security Rtg.: 2 Corrosion Rtg.: Exposed	Security Rtg.: 3 Corrosion Rtg.: Exposed	Security Rtg.: 4 Corrosion Rtg.: Exposed	Security Rtg.: 4 Corrosion Rtg.: Exposed
PKG.	VP: 1 / Box: 12 Case: 240	VP: 1 / Box: 12 Case: 120	VP: 1 / Box: 12 Case: 120	VP: 1 / Box: 6 Case: 60
BOX DIM.	165x105x150 (mm)	165x105x170 (mm)	185x105x170 (mm)	210x105x100 (mm)
CASE DIM.	550x345x320 (mm)	550x345x185 (mm)	550x385x185 (mm)	550x435x115 (mm)

## BOX PACK (BP) — STANDARD SHACKLE

CAT. #	5660	5660	5660	5660
STK. #	S824-702	S824-707	S824-710	S824-713
BODY SIZE	30mm	40mm	50mm	60mm
PKG.	BP: 1 / Box: 12	BP: 1 / Box: 12	BP: 1 / Box: 12	BP: 1 / Box: 12
BOX DIM.	315x90x125 (mm)	340x118x162 (mm)	340x118x162 (mm)	355x148x220 (mm)

## BOX PACK (BP) — LONG SHACKLE

CAT. #	5670	5670	5670
STK. #	S824-719	S824-722	S824-725
BODY SIZE	30mm	40mm	50mm
PKG.	BP: 1 / Box: 12	BP: 1 / Box: 12	BP: 1 / Box: 12
BOX DIM.	315x190x125 (mm)	340x118x162 (mm)	355x148x220 (mm)

## Cleaning / Lubrication

During the assembly of our padlocks, high quality grease is applied to all areas of contact within the internal mechanism. If the product is exposed to extreme temperatures, caustic or dirty environments, or such that the original lubricant becomes contaminated, we suggest cleaning the contaminated areas with a non-corrosive solvent and re-lubricate.

## Disclaimer

Stanley Black & Decker reserves the right to make changes without notice. We recommend that you consult Stanley Black & Decker or its affiliates prior to placing an order to validate current information on specific products. Stanley Black & Decker will not be liable for any injury, loss or damage due to errors or omissions in the information displayed or arising from the use or application of the information contained herein.

## Warranty

### Limited Lifetime Warranty

Stanley Black & Decker its subsidiaries and affiliates (“Stanley”) warrants to purchasers that the Products which Stanley sells under the Stanley name are free from defects in workmanship and materials under normal use and regular service and maintenance for a period of the useful life of the building in which originally installed.

THIS IS THE SOLE AND EXCLUSIVE WARRANTY GIVEN BY STANLEY WITH RESPECT TO THE PRODUCTS AND IS IN LIEU OF ANY AND ALL OTHER WARRANTIES EXPRESS OR IMPLIED, ARISING BY OPERATION OF LAW OR OTHERWISE, ALL IMPLIED WARRANTIES, INCLUDING BUT NOT LIMITED TO THE WARRANTIES OF MERCHANTABILITY, NON-INFRINGEMENT, AND FITNESS FOR A PARTICULAR PURPOSE, ARE HEREBY EXCLUDED.

This warranty is subject to the use of the Products in accordance with Stanley’s standard recommendations and does not cover defects or damage arising from improper installation, incorrect application, lack of or improper maintenance, improper storage, shipping and handling, excessive wear and tear, misuse, abuse, accident, unauthorized service, or use with unauthorized products or parts. This warranty applies only to the functionality of the Products and does not apply to the Products’ finish.