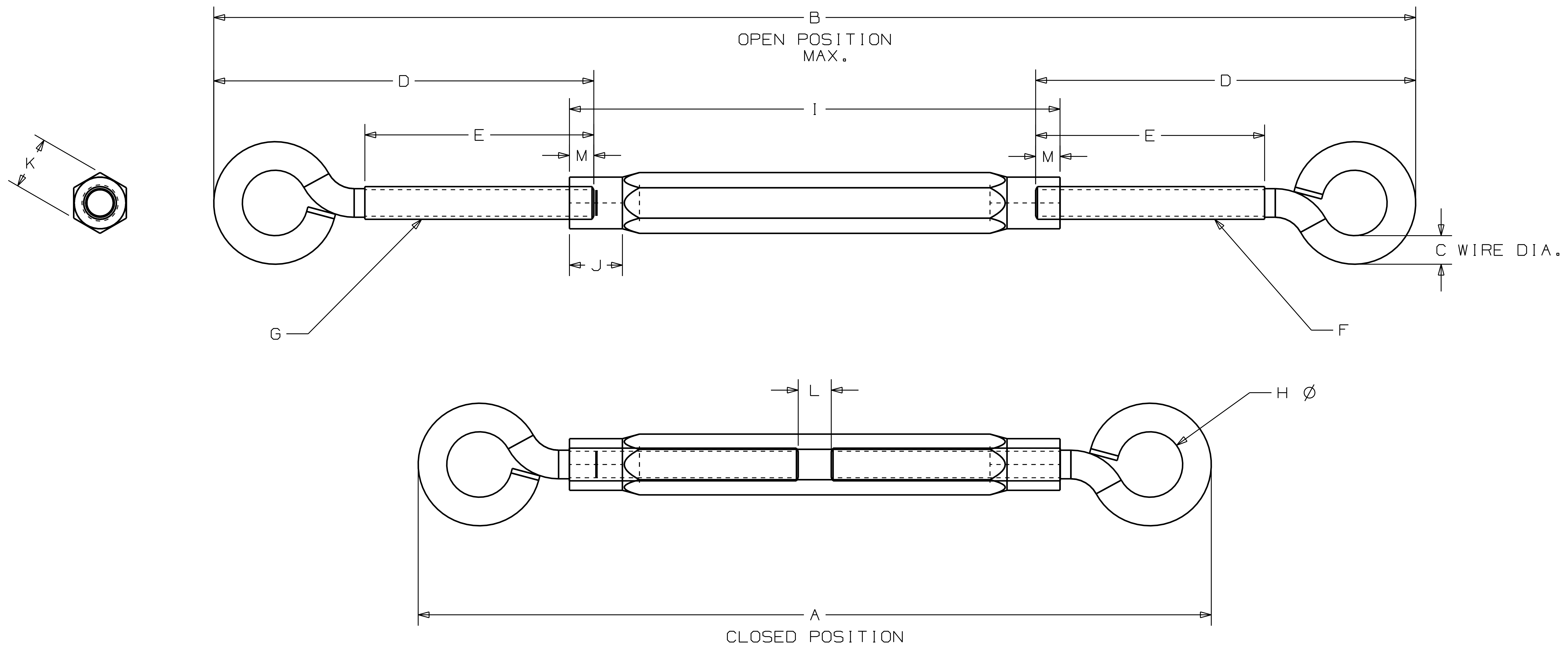


2170	1/2 x 17	11.75	17.62	.437	5.81	3.50	1/2-13 UNC-2A	1/2-13 UNC-2A	1.00	7.50	.81	.805	.12	.75	320
2170	3/8 x 16	10.37	16.25	.326	5.12	3.50	3/8-16 UNC-2A	3/8-16 UNC-2A	.62	7.12	.62	.618	.12	.56	215
2170	3/8 x 10-1/2	7.62	10.75	.326	3.75	2.25	3/8-16 UNC-2A	3/8-16 UNC-2A	.62	4.38	.62	.618	.12	.56	215
2170	5/16 x 9	6.38	8.94	.268	3.12	1.87	5/16-18 UNC-2A	5/16-18 UNC-2A	.50	3.62	.50	.560	.14	.47	130
2170 / 2171	1/4 x 7-1/2	5.38	7.50	.212	2.62	1.62	1/4-20 UNC-2A	1/4-20 UNC-2A	.38	3.00	.43	.429	.14	.38	90
2170	7/32 x 6-1/2	4.62	6.59	.183	2.25	1.31	#12-24 UNC-2A	#12-24 UNC-2A	.34	2.75	.43	.429	.14	.33	55
2170 / 2171	3/16 x 5-1/2	4.12	5.81	.159	2.00	1.25	#10-24 UNC-2A	#10-24 UNC-2A	.28	2.38	.34	.369	.12	.28	45
PRODUCT SERIES	CATALOG SIZE	MIN. O.A.L. A	MAX. O.A.L. B	WIRE DIA. C	EYE LENGTH D	EYE THREAD LENGTH E	THREAD R.H. F	THREAD L.H. G	EYE I.D. H	BODY LENGTH I	BODY THREAD LENGTH J	BODY WIDTH K	GAP L	THREAD ENGAGE @ MAX. M	SWL (LBS) N



TextDimensions shown are nominal and subject to change. For critical design specification, contact [techinfo@natman.com](mailto:techinfo@natman.com)  
©2008 National Manufacturing Co.

N2170, N2171