

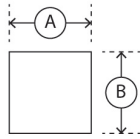
MEASURING GUIDE

For any tile project, you will need to know how many square feet of field tile, as well as how many linear feet of trim, bullnose and listellos will be needed for your project. This is a guide to help determine the quantity of tile you'll need.

Before placing your order we recommend that you work with a store associate to confirm actual quantities. Certain materials and design layouts may require ordering overages. We are always happy to help get exactly what you need.

Find your project below to get started

Bathroom with a Shower	pg 2
Bathroom with a Tub	pg 3
Flooring	pg 4
Kitchen with a Backsplash	pg 5
Wall & Fireplace	pg 6
Notes	pg 7

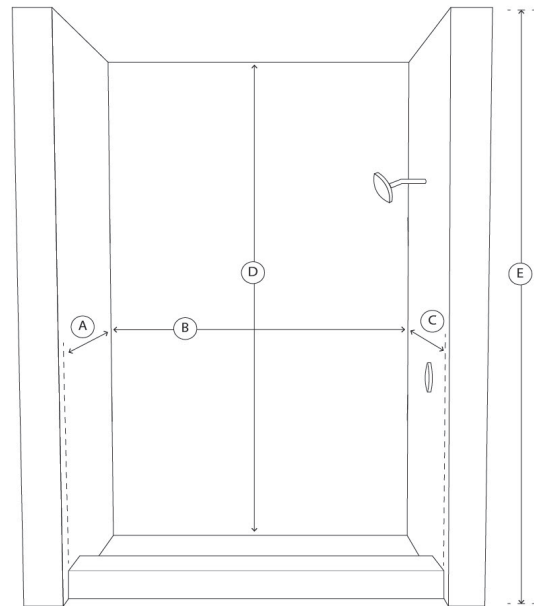


Length (A) x Width (B) = 1 square foot (or 144 square inches)
 Total Square Footage = Length (in inches) x Width (in inches) ÷ 144
 Total Linear Footage = Length (in inches) ÷ 12

1 Measure Your Space

Gather the following dimensions based on the drawing to the right.

- Enter Inches
- A. Depth of the shower (left)
 - B. Width of the shower
 - C. Depth of the shower (right)
 - D. Height from bottom of shower to the ceiling
 - E. Ceiling height



2 Calculate Square Footage (field tile)

Enter in your above measurements from Step 1 to calculate:

$$\left(\underbrace{\quad}_{A} + \underbrace{\quad}_{B} + \underbrace{\quad}_{C} \right) \times \underbrace{\quad}_{D} \div 144 = \underbrace{\quad}_{\text{Total Square Feet}}$$

3 Calculate Linear Footage (bullnose, trim & decorative pieces)

Enter in your above measurements from Step 1 to calculate:

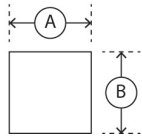
Accent Strip

$$\left(\underbrace{\quad}_{A} + \underbrace{\quad}_{B} + \underbrace{\quad}_{C} \right) \div 12 = \underbrace{\quad}_{\text{Total Linear Feet}}$$

Bullnose

$$\left(\underbrace{\quad}_{E} \times 2 \right) \div 12 = \underbrace{\quad}_{\text{Total Linear Feet}}$$

Notes:



Length (A) x Width (B) = 1 square foot (or 144 square inches)
 Total Square Footage = Length (in inches) x Width (in inches) ÷ 144
 Total Linear Footage = Length (in inches) ÷ 12

1 Measure Your Space

Gather the following dimensions based on the drawing to the right.

Enter Inches

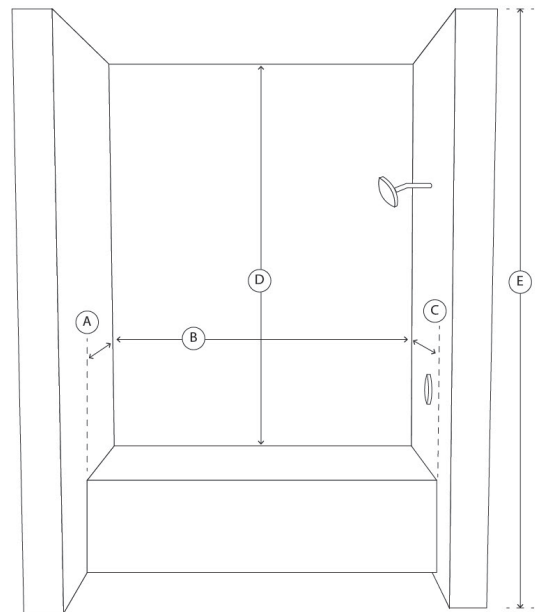
A. Depth of the tub (left)

B. Width of the tub

C. Depth of the tub (right)

D. Height from tub to the ceiling

E. Ceiling height



2 Calculate Square Footage (field tile)

Enter in your above measurements from Step 1 to calculate:

$$\left(\underbrace{\quad}_{A} + \underbrace{\quad}_{B} + \underbrace{\quad}_{C} \right) \times \underbrace{\quad}_{D} \div 144 = \underbrace{\quad}_{\text{Total Square Feet}}$$

3 Calculate Linear Footage (bullnose, trim & decorative pieces)

Enter in your above measurements from Step 1 to calculate:

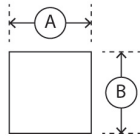
_____ Accent Strip _____

$$\left(\underbrace{\quad}_{A} + \underbrace{\quad}_{B} + \underbrace{\quad}_{C} \right) \div 12 = \underbrace{\quad}_{\text{Total Linear Feet}}$$

_____ Bullnose _____

$$\left(\underbrace{\quad}_{E} \times 2 \right) \div 12 = \underbrace{\quad}_{\text{Total Linear Feet}}$$

Notes:

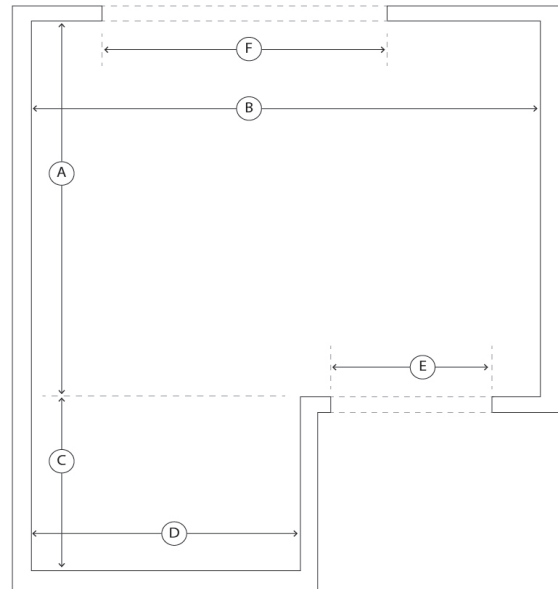


Length (A) x Width (B) = 1 square foot (or 144 square inches)
 Total Square Footage = Length (in inches) x Width (in inches) ÷ 144
 Total Linear Footage = Length (in inches) ÷ 12

1 Measure Your Space

Gather the following dimensions based on the drawing to the right.

- Enter Inches
- A. Length of area
 - B. Width of area
 - C. Width of area
 - D. Length of area
 - E. Width of opening (threshold)
 - F. Width of opening (threshold)



2 Calculate Square Footage (field tile)

Enter in your measurements from Step 1 to calculate:

$$\left(\begin{matrix} \text{[]} \\ A \end{matrix} \times \begin{matrix} \text{[]} \\ B \end{matrix} \right) \div 144 = \begin{matrix} \text{[]} \\ X \end{matrix}$$

$$\left(\begin{matrix} \text{[]} \\ C \end{matrix} \times \begin{matrix} \text{[]} \\ D \end{matrix} \right) \div 144 = \begin{matrix} \text{[]} \\ Y \end{matrix}$$

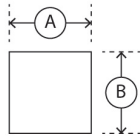
Total Square Feet (X+Y)

3 Calculate Linear Footage (base & decorative pieces)

Enter in your measurements from Step 1 to calculate:

$$\left(\begin{matrix} \text{[]} \\ A \times 2 \end{matrix} + \begin{matrix} \text{[]} \\ C \times 2 \end{matrix} + \begin{matrix} \text{[]} \\ B + D \end{matrix} \right) - \begin{matrix} \text{[]} \\ E + F \end{matrix} = \begin{matrix} \text{[]} \\ \text{Total Linear Feet} \end{matrix}$$

Notes:

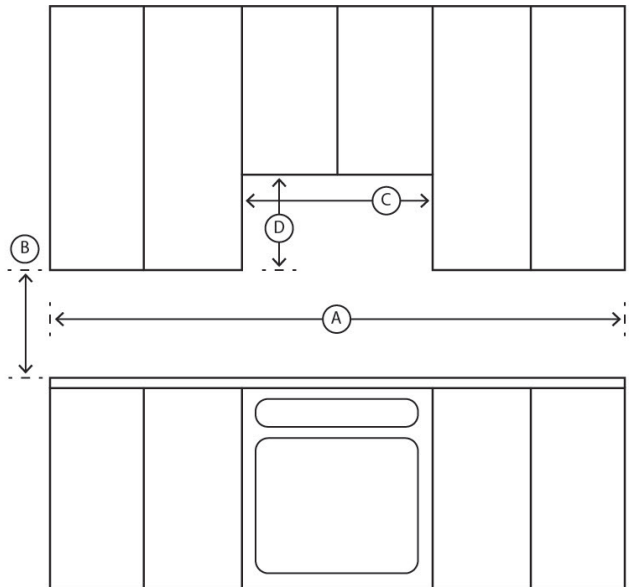


Length (A) x Width (B) = 1 square foot (or 144 square inches)
 Total Square Footage = Length (in inches) x Width (in inches) ÷ 144
 Total Linear Footage = Length (in inches) ÷ 12

1 Measure Your Space

Gather the following dimensions based on the drawing to the right.

- Enter Inches
- A. Length of wall
 - B. Height between countertop and bottom of upper cabinets
 - C. Width of opening
 - D. Height of opening



2 Calculate Square Footage (field tile)

Enter in your measurements from Step 1 to calculate:

$$\left(\begin{matrix} \text{[]} \\ \text{A} \end{matrix} + \begin{matrix} \text{[]} \\ \text{B} \end{matrix} \right) \div 144 = \begin{matrix} \text{[]} \\ \text{X} \end{matrix}$$

$$\left(\begin{matrix} \text{[]} \\ \text{C} \end{matrix} + \begin{matrix} \text{[]} \\ \text{D} \end{matrix} \right) \div 144 = \begin{matrix} \text{[]} \\ \text{Y} \end{matrix}$$

Total Square Feet (X+Y)

3 Calculate Linear Footage (bullnose, trim & decorative pieces)

Enter in your measurements from Step 1 to calculate:

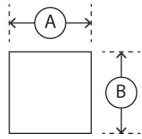
Accent Strip

$$\begin{matrix} \text{[]} \\ \text{A} \end{matrix} \div 12 = \begin{matrix} \text{[]} \\ \text{Total Linear Feet} \end{matrix}$$

Bullnose

$$\left(\begin{matrix} \text{[]} \\ \text{B} \end{matrix} \times 2 \right) \div 12 = \begin{matrix} \text{[]} \\ \text{Total Linear Feet} \end{matrix}$$

Notes:

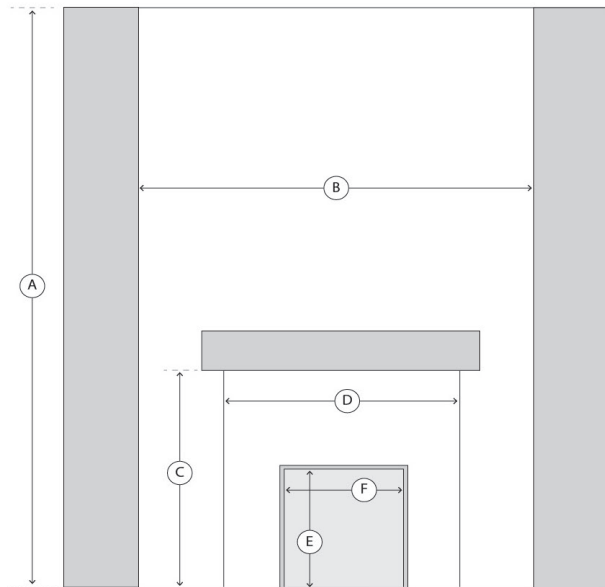


Length (A) x Width (B) = 1 square foot (or 144 square inches)
 Total Square Footage = Length (in inches) x Width (in inches) ÷ 144
 Total Linear Footage = Length (in inches) ÷ 12

1 Measure Your Space

Gather the following dimensions based on the drawing to the right.

- Enter Inches
- A. Height of room
 - B. Width of Fireplace surround
 - C. Height of Fireplace
 - D. Width of Fireplace
 - E. Height of Fireplace insert
 - F. Width of Fireplace insert



2 Calculate Square Footage (field tile)

Enter in your measurements from Step 1 to calculate:

_____ Fireplace Surround _____ $\left(\boxed{} - \boxed{} \right) \div 144 = \boxed{}$ <p style="text-align: center;">A × B C × D Total Square Feet</p>	_____ Fireplace Wall _____ $\left(\boxed{} - \boxed{} \right) \div 144 = \boxed{}$ <p style="text-align: center;">C × D E × F Total Square Feet</p>
---------------------------------------------------------------------------------------------------------------------------------------------------------------------------------------------------------------------------------------------	-----------------------------------------------------------------------------------------------------------------------------------------------------------------------------------------------------------------------------------------

3 Calculate Linear Footage (bullnose, trim & decorative pieces)

Enter in your measurements from Step 1 to calculate:

_____ Fireplace Wall Bullnose _____ $\boxed{} \times 2 = \boxed{}$ <p style="text-align: center;">A Total Linear Feet</p>	_____ Surround Bullnose _____ $\boxed{} \times 2 = \boxed{}$ <p style="text-align: center;">C Total Linear Feet</p>	_____ Fireplace Insert Bullnose _____ $\boxed{} + \boxed{} = \boxed{}$ <p style="text-align: center;">E × 2 F Total Linear Feet</p>
--------------------------------------------------------------------------------------------------------------------------------------------------------------------------------	--------------------------------------------------------------------------------------------------------------------------------------------------------------------------	------------------------------------------------------------------------------------------------------------------------------------------------------------------------------------------------------------------------

Notes:

