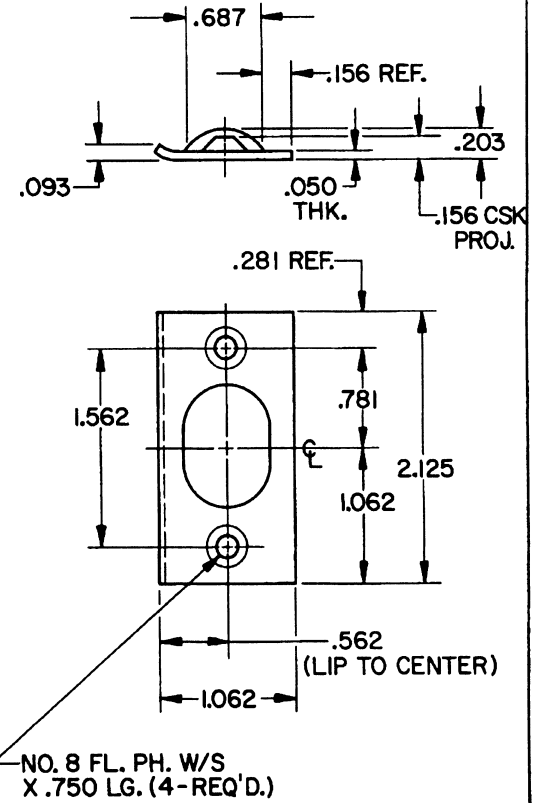
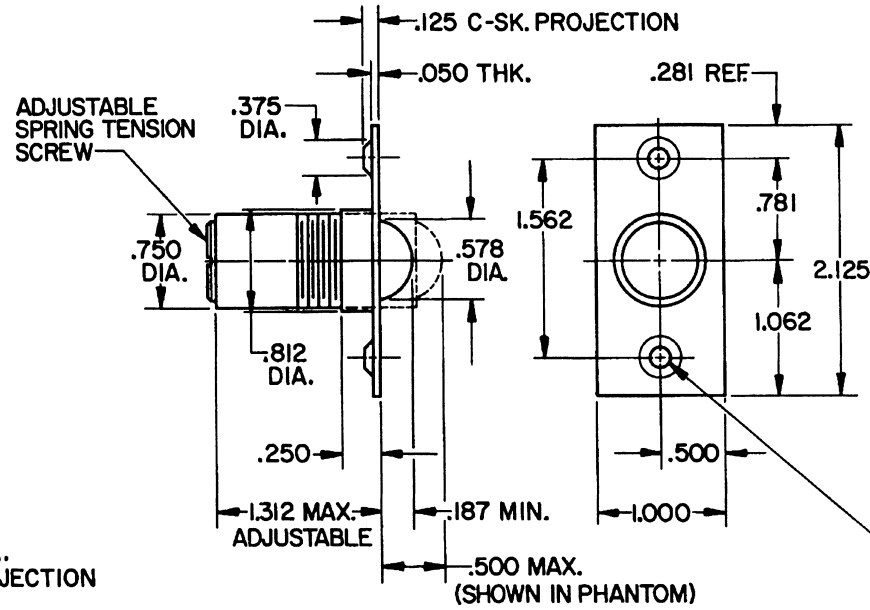
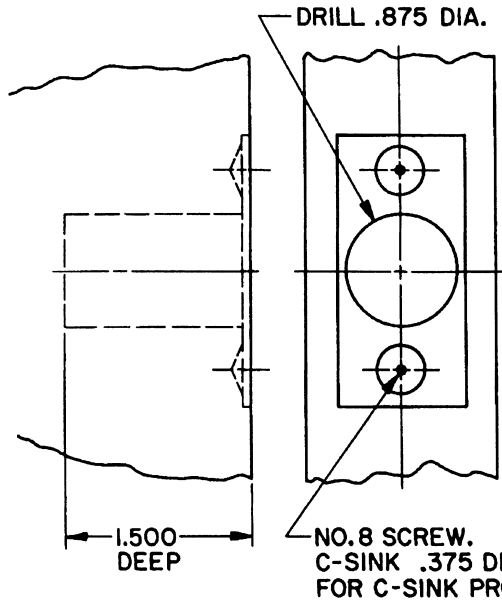


DOOR DETAIL

CATCH DETAIL

STRIKE DETAIL



NOTE:

1.) RECOMMENDED FOR USE WHEN CATCH IS FITTED IN THE JAMB.

EFFECTIVE: 5-1-88 R.A.D.

BALDWIN	
0425 ADJ. BALL CATCH	
TEMPLATE NO. VARIATIONS	TEMPLATE NO.
	A179

DO NOT SCALE DRAWING

©1988 by Baldwin Hardware Corporation