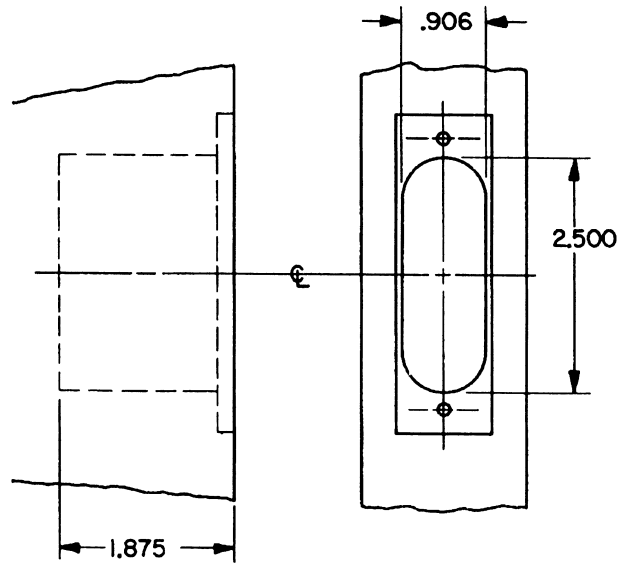
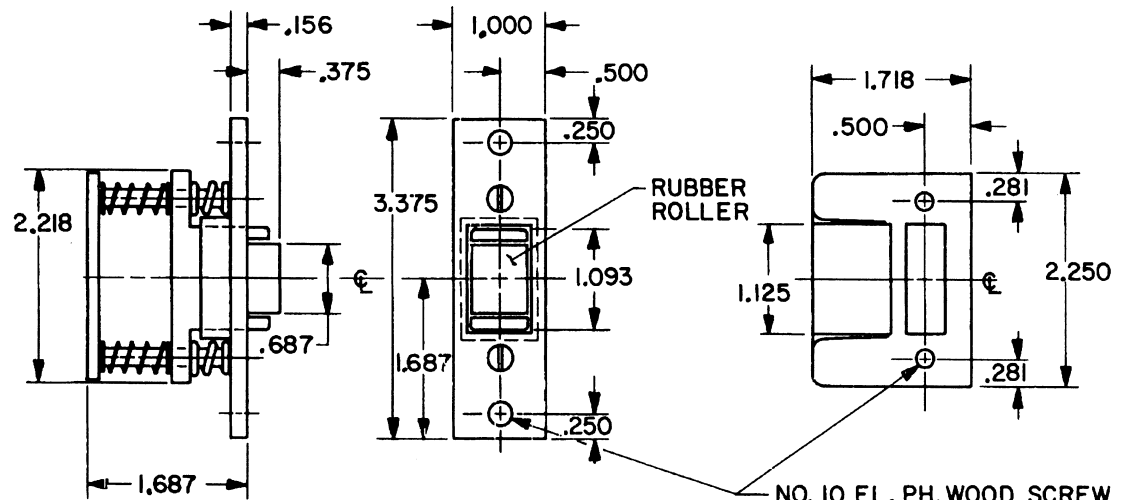
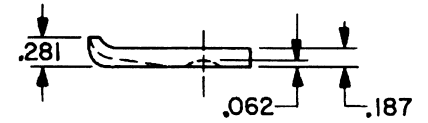
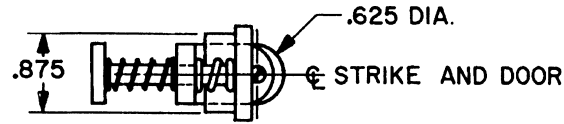


# DOOR DETAIL



# LATCH DETAIL



NO. 10 FL. PH. WOOD SCREW  
X 1.000 LONG (FOR WOOD DOORS)  
NO. 10-24 FL. PH. UC. MACHINE  
SCREW X .500 LONG (FOR  
METAL DOORS)

DO NOT SCALE DRAWING

EFFECTIVE: 9-1-86 RA

<b>B. BALDWIN</b>	
<b>0430 ROLLER LATCH</b>	
TEMPLATE NO. VARIATION: A197, A198, A199, A200, A201	TEMPLATE NO. <b>A196</b>