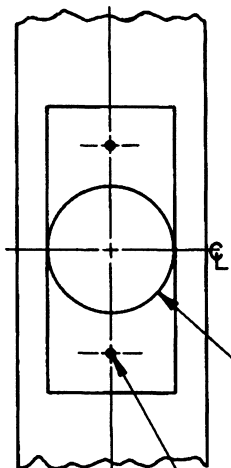
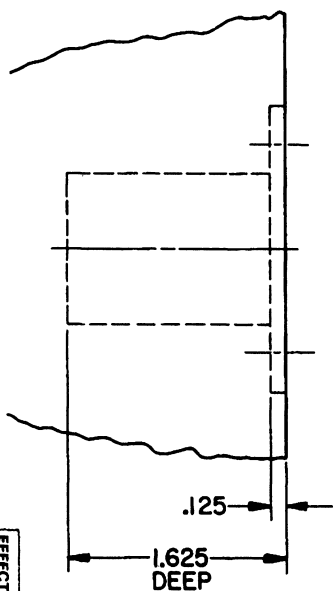
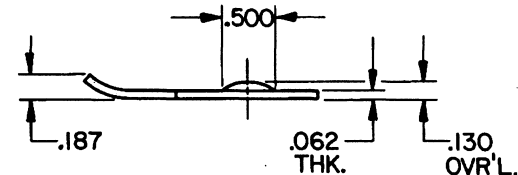
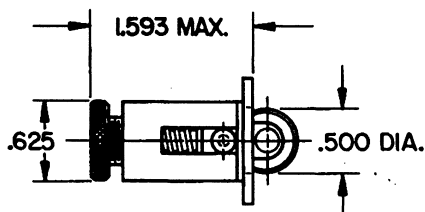


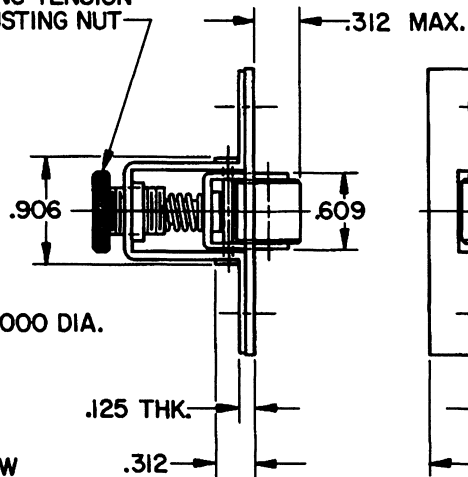
DOOR DETAIL

CATCH DETAIL

STRIKE DETAIL

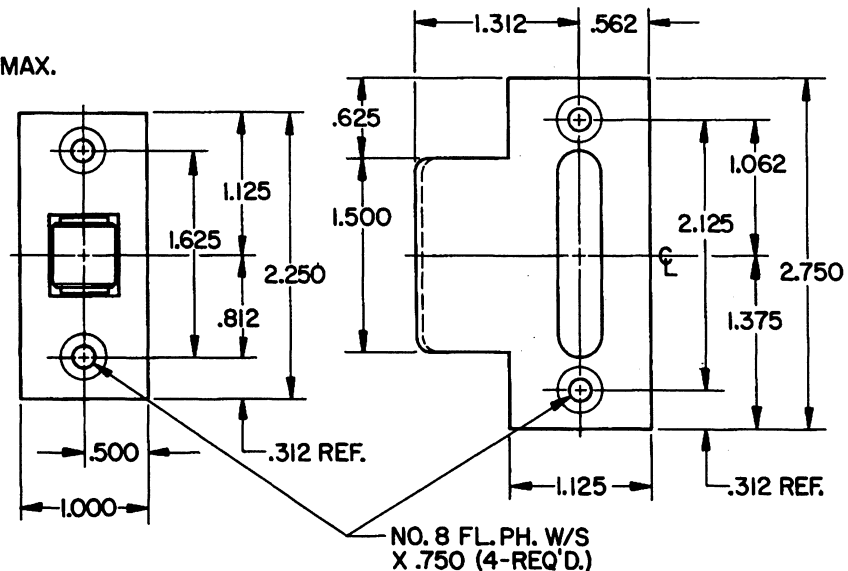


SPRING TENSION
ADJUSTING NUT



DRILL 1.000 DIA.

NO. 8 SCREW



NO. 8 FL. PH. W/S
X .750 (4-REQ'D.)

EFFECTIVE: 5-1-88 R.A.M.

B. BALDWIN	
0440 ADJ. ROLLER CATCH	
TEMPLATE NO. VARIATIONS	TEMPLATE NO.
	A202

DO NOT SCALE DRAWING

© 1988 by Baldwin Hardware Corporation