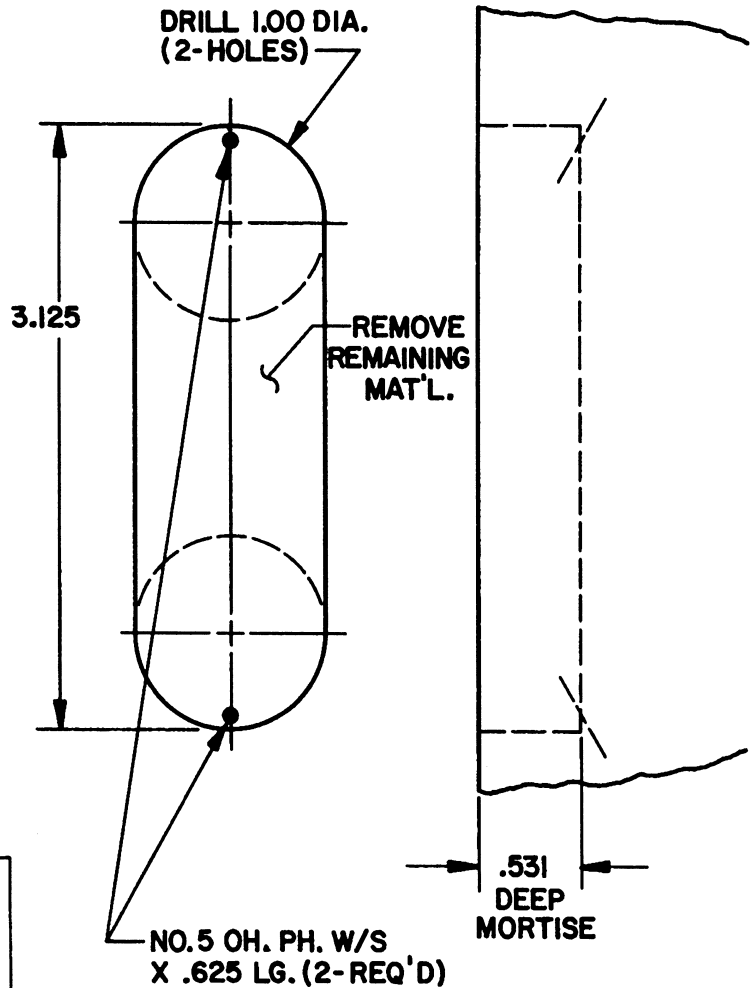
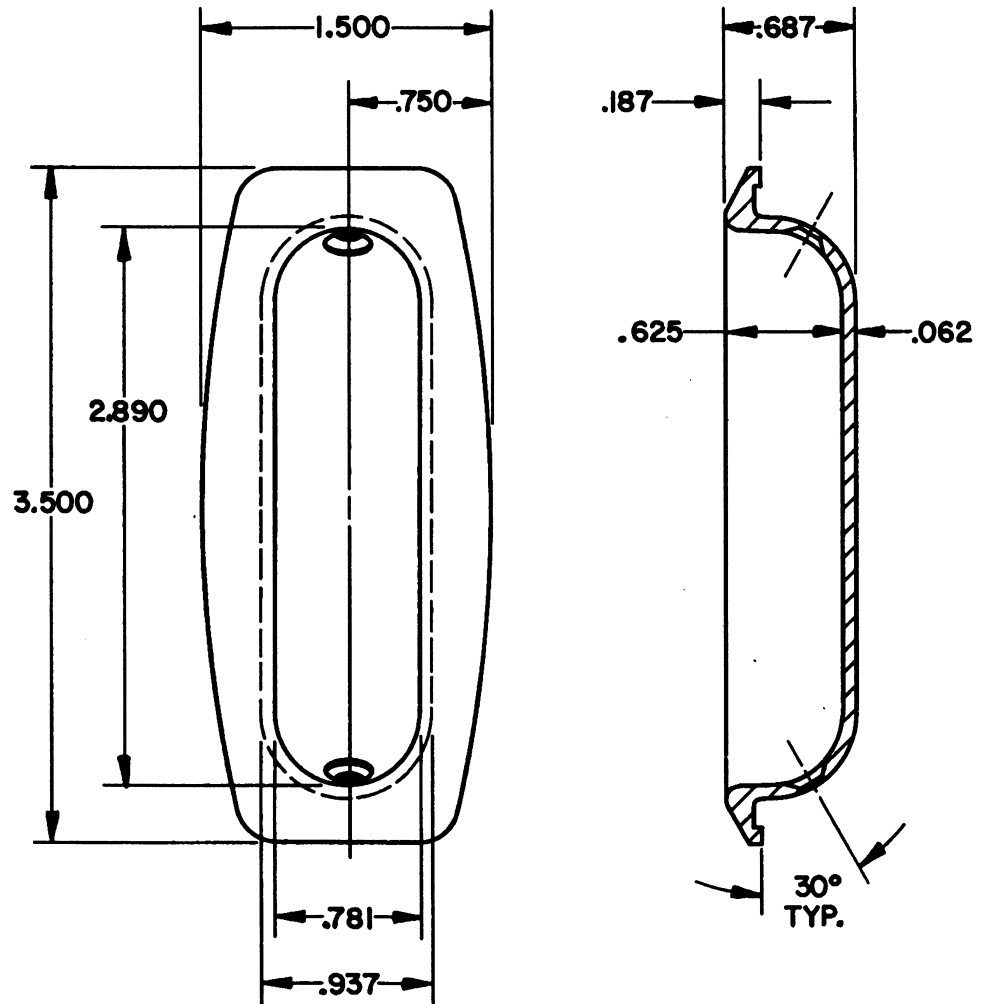


DOOR DETAIL



PULL DETAIL



EFFECTIVE: 5-1-88 R.Ad smg

B BALDWIN

0458 SLIDING DOOR PULL

TEMPLATE NO. VARIATIONS

TEMPLATE NO.

A209