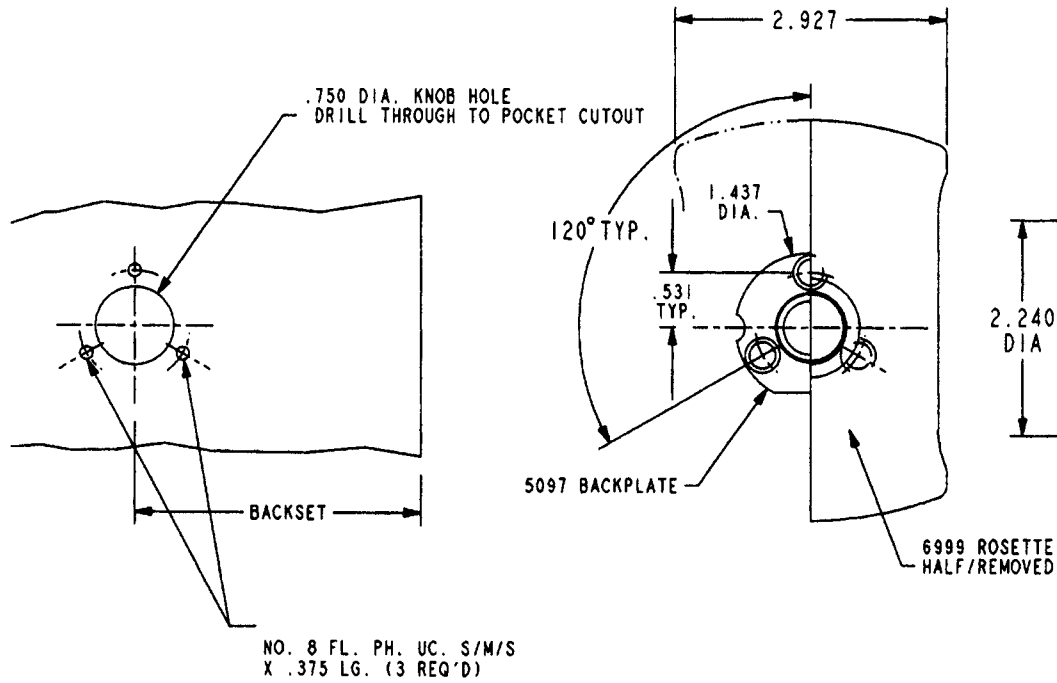
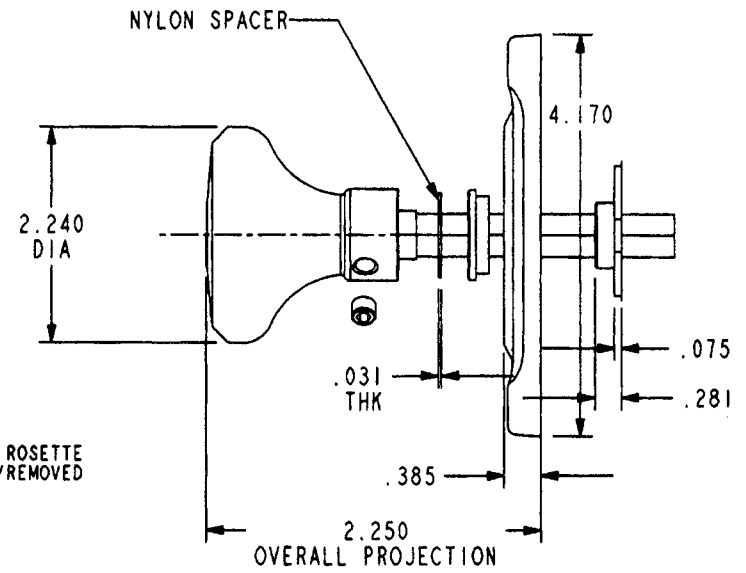


DOOR DETAIL



KNOB DETAIL



DO NOT SCALE DRAWING

BALDWIN

5023 KNOB WITH ROSETTE

TEMPLATE NO. VARIATIONS

TEMPLATE NO.

F-614

© 1986 BY BALDWIN HARDWARE CORPORATION

EFFECTIVE: 2-3-97

NOTE:

- 1.) FOR ADDITIONAL LOCK AND DOOR CUTOUT DIMENSIONS, SEE APPROPRIATE LOCK TEMPLATE.
- 2.) INSTALLATION PLATES ARE NOT REQUIRED FOR THIS TRIM.