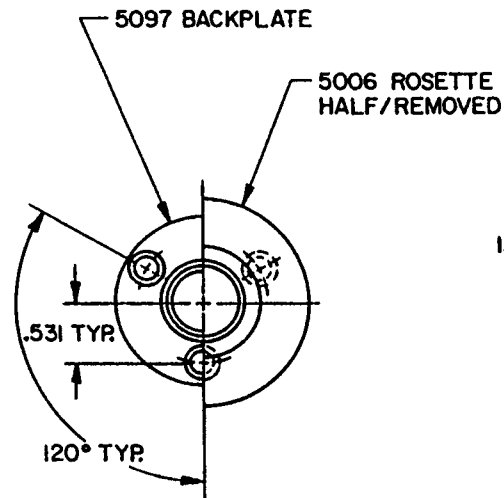
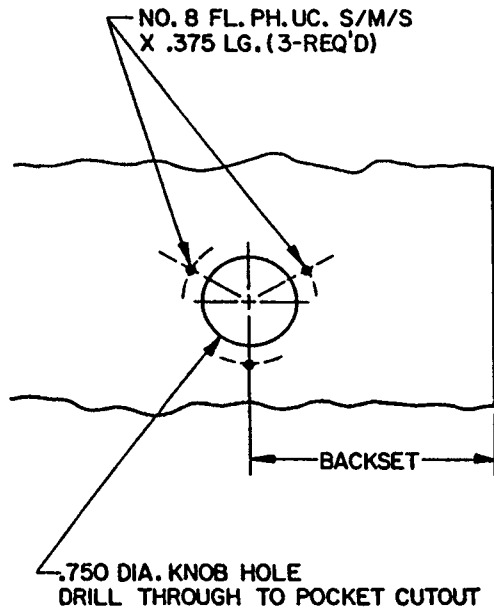
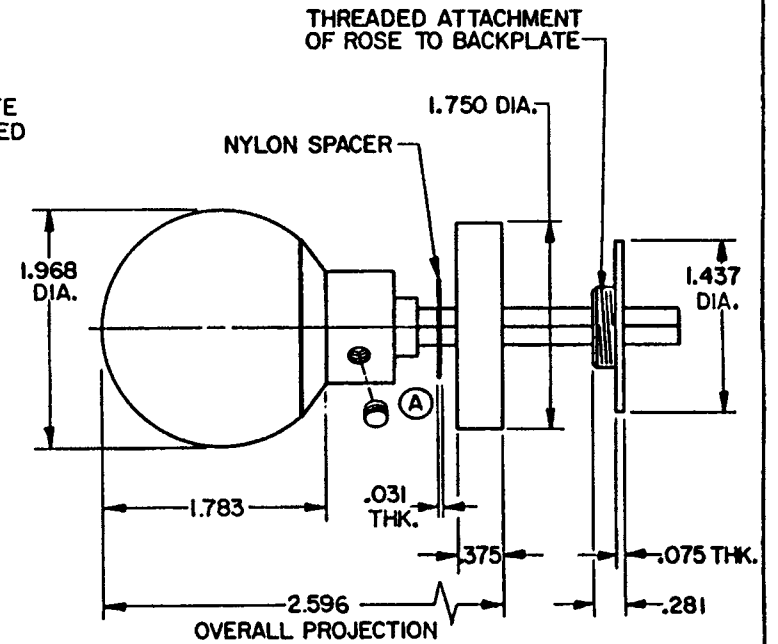


DOOR DETAIL



KNOB DETAIL



NOTE :

- 1.) FOR ADDITIONAL LOCK AND DOOR CUTOUT DIMENSIONS,
SEE APPROPRIATE LOCK TEMPLATE.
- 2.) INSTALLATION PLATES ARE NOT REQUIRED FOR THIS TRIM.

EFFECTIVE 2/88

BALDWIN	
5039, 5052 KNOB W/ROSETTE	
TEMPLATE NO. VARIATIONS	TEMPLATE NO.
	F025A

DO NOT SCALE DRAWING

©1986 by Baldwin Hardware Corporation