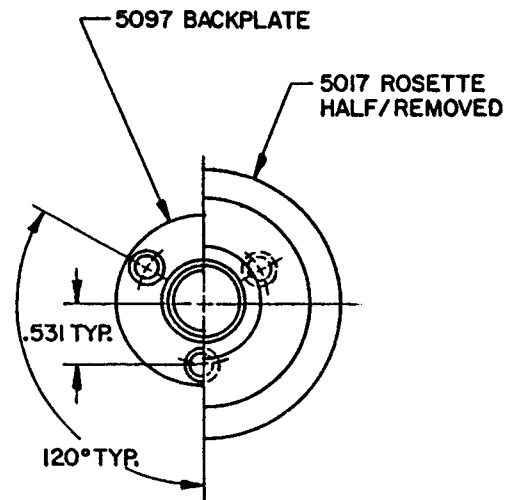
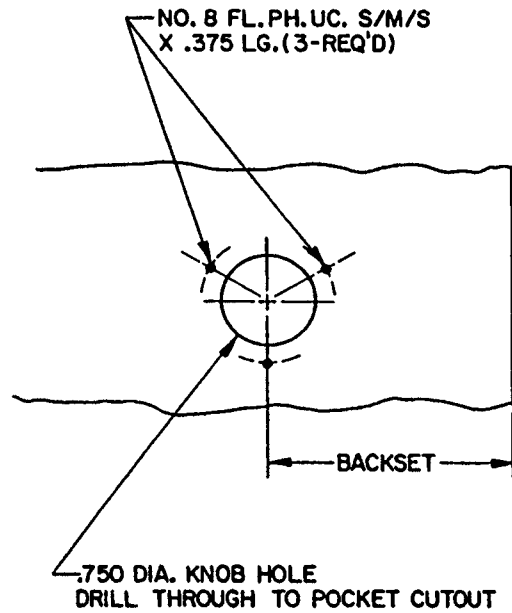
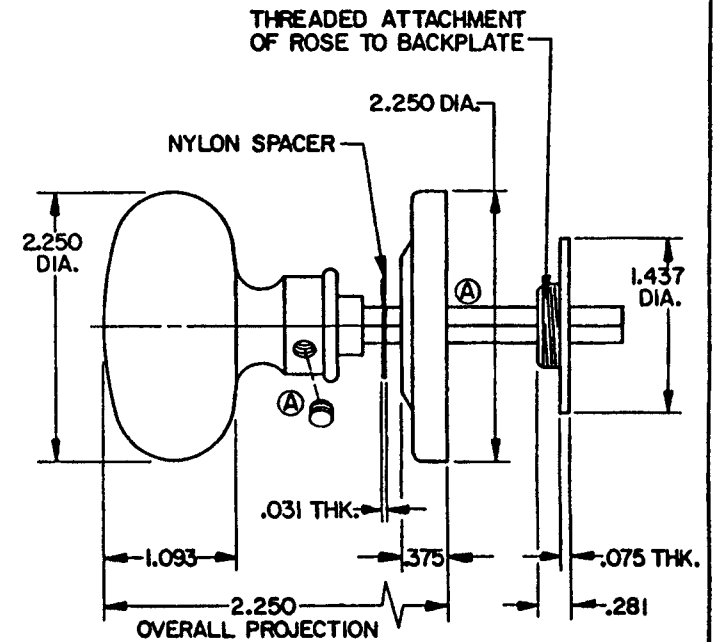


## DOOR DETAIL



## KNOB DETAIL



### NOTE:

- 1.) FOR ADDITIONAL LOCK AND DOOR CUTOUT DIMENSIONS.  
SEE APPROPRIATE LOCK TEMPLATE.
- 2.) INSTALLATION PLATES ARE NOT REQUIRED FOR THIS TRIM.

REVISED 3/88

<b>BALDWIN</b>	
<b>5054 KNOB W/ROSETTE</b>	
TEMPLATE NO. VARIATIONS	TEMPLATE NO.
	<b>F032A</b>

DO NOT SCALE DRAWING

©1988 by Baldwin Hardware Corporation