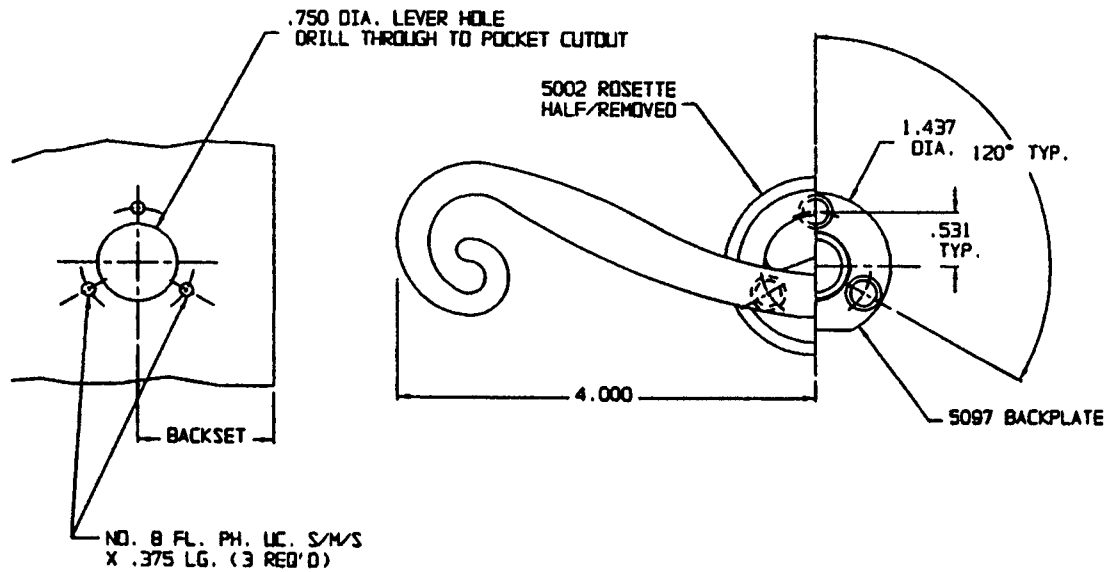
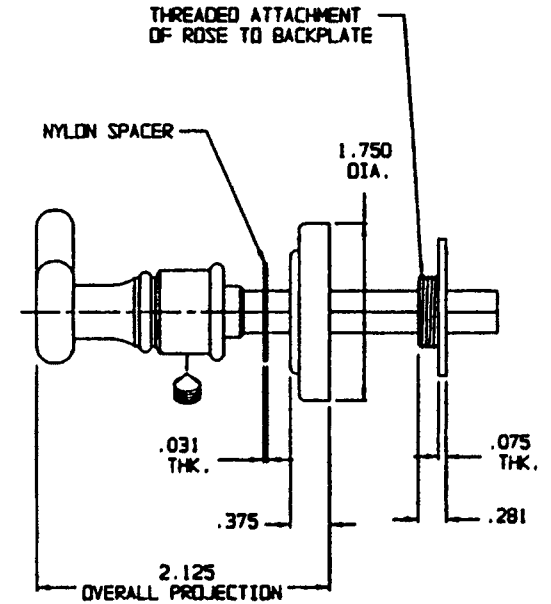


## DOOR DETAIL



## LEVER DETAIL (LEFT HAND ILLUSTRATED)



### NOTE:

- 1.) FOR ADDITIONAL LOCK AND DOOR CUTOUT DIMENSIONS, SEE APPROPRIATE LOCK TEMPLATE.
- 2.) INSTALLATION PLATES ARE NOT REQUIRED FOR THIS TRIM.
- 3.) SPECIFY RIGHT OR LEFT HAND. (NOT REVERSIBLE)

DO NOT SCALE DRAWING

**B** BALDWIN

51 28 LEVER WITH ROSETTE

TEMPLATE NO. VARIATIONS

TEMPLATE NO.

© 1986 BY BALDWIN HARDWARE CORPORATION

F115A

EFFECTIVE: 2-3-87