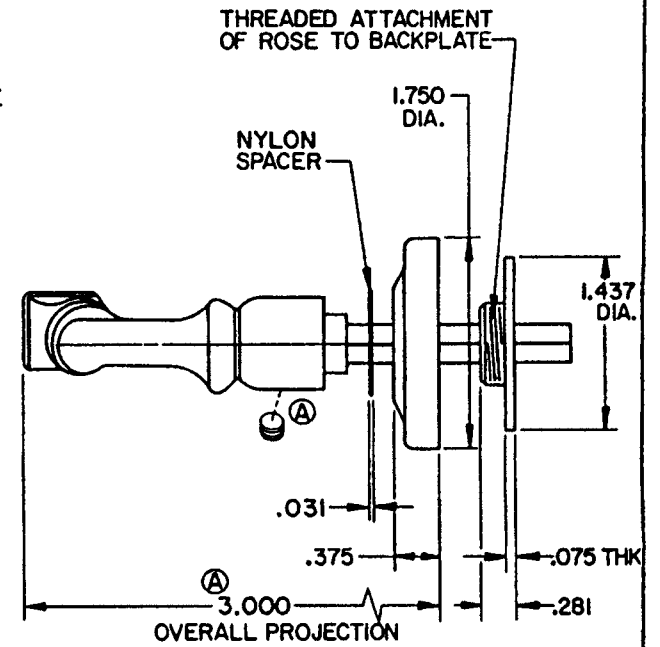
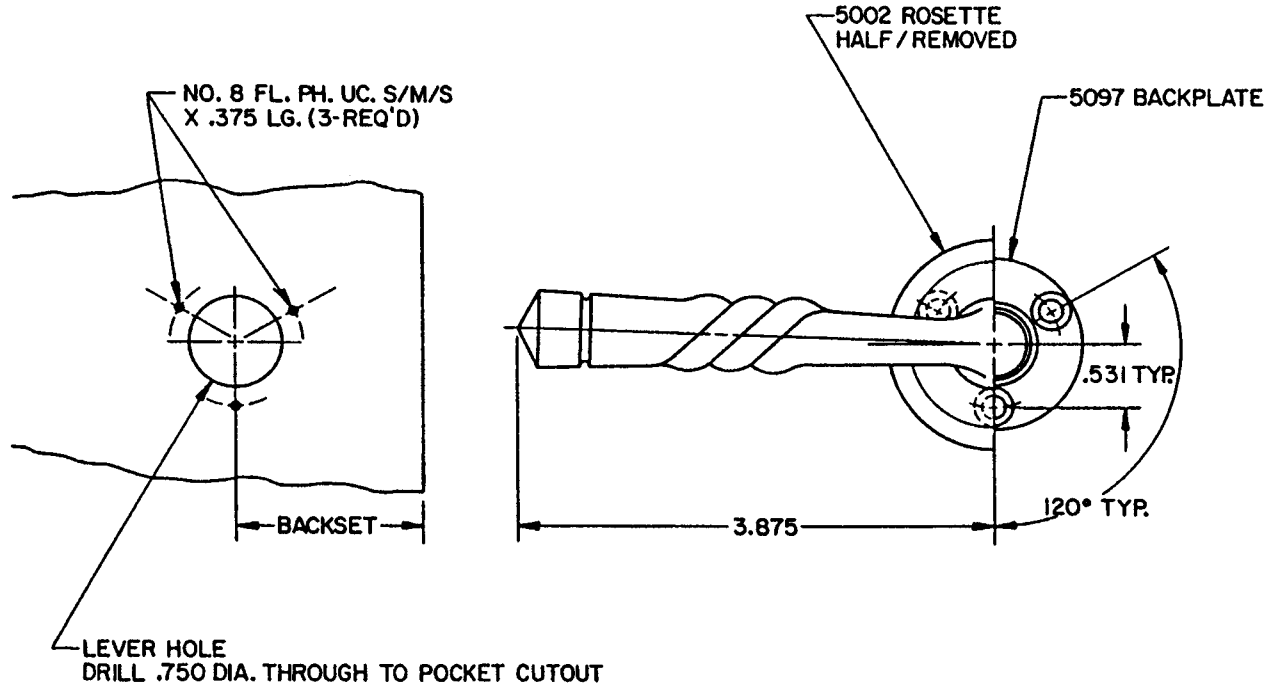


DOOR DETAIL

LEVER DETAIL (LEFT HAND ILLUSTRATED)



NOTE :

- 1.) FOR ADDITIONAL LOCK AND DOOR CUTOUT DIMENSIONS, SEE APPROPRIATE LOCK TEMPLATE.
- 2.) INSTALLATION PLATES ARE NOT REQ'D FOR THIS TRIM.
- 3.) SPECIFY RIGHT OR LEFT HAND. (NOT REVERSIBLE)

EFFECTIVE: 3.3.87

B. BALDWIN	
5132 LEVER W/ROSETTE	
TEMPLATE NO. VARIATIONS	TEMPLATE NO.
	F120A

DO NOT SCALE DRAWING

© 1986 by Baldwin Hardware Corporation