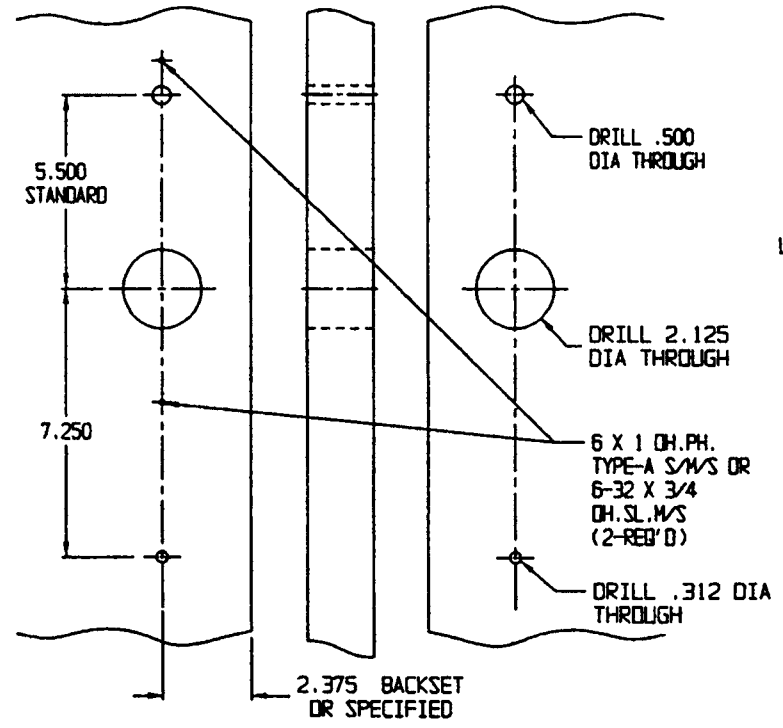


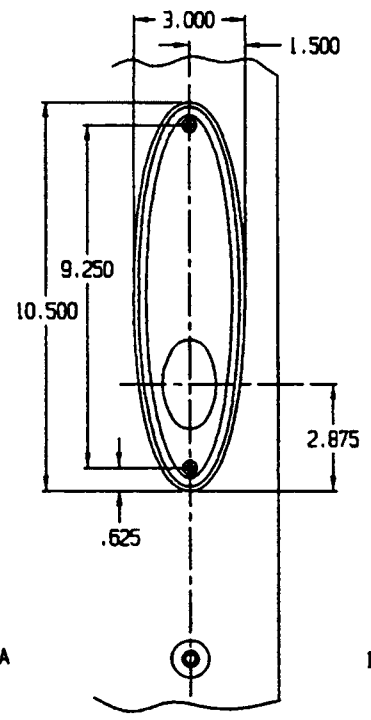
**DOOR DETAIL**



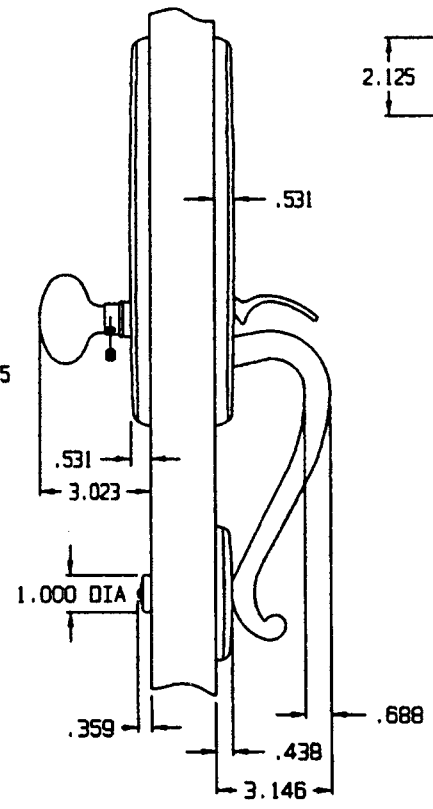
INSIDE

OUTSIDE

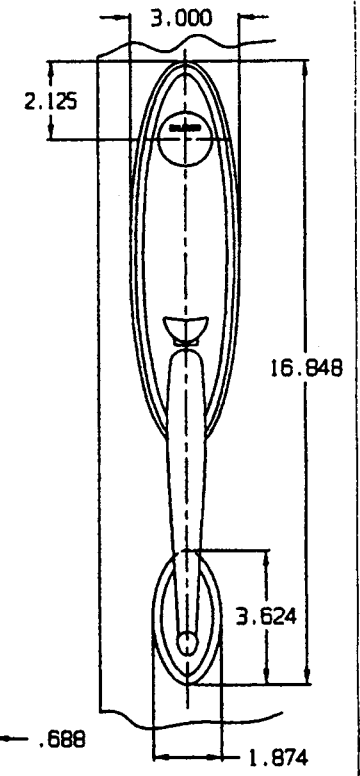
**INSIDE**



**TRIM DETAIL**



**OUTSIDE**



DO NOT SCALE DRAWING



5360 FD

TEMPLATE NO. VARIATIONS

TEMPLATE NO.

© 1998 BY BALDWIN HARDWARE CORPORATION

IMR046

EFFECTIVE: 7-27-98