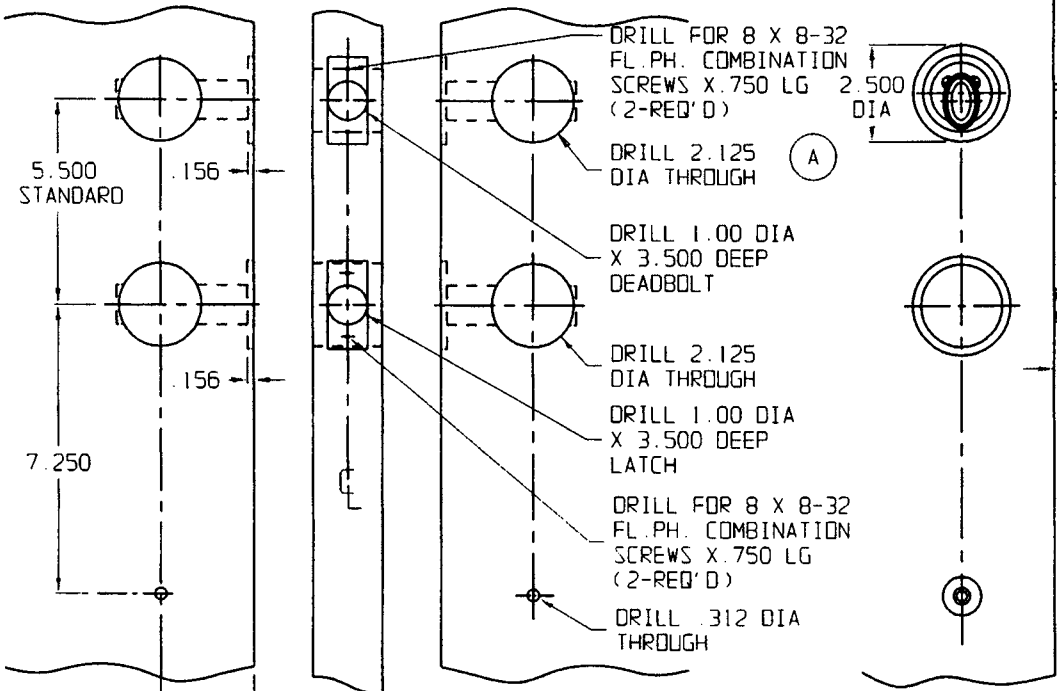
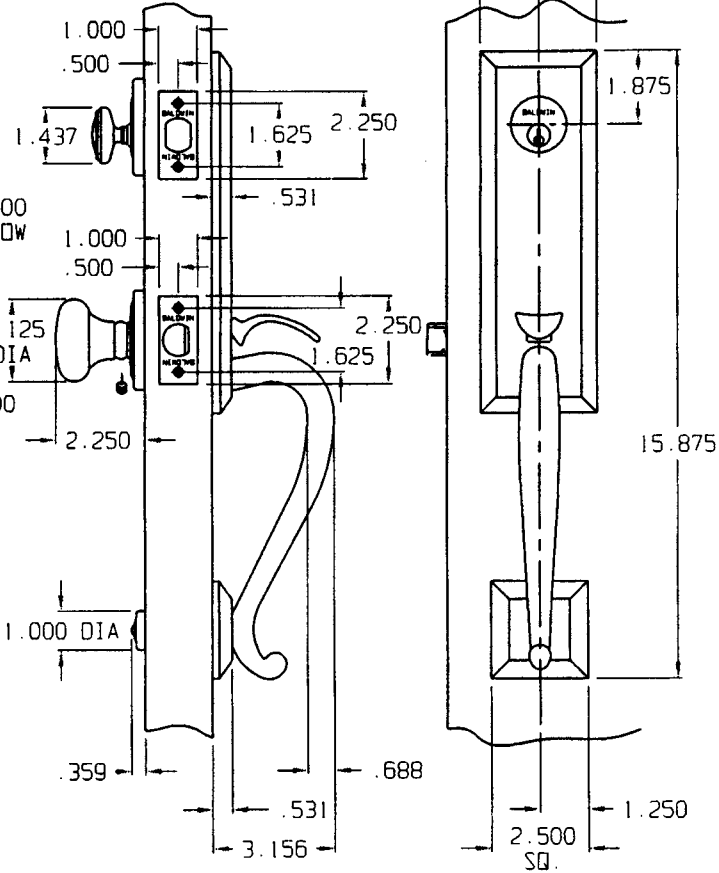


DOOR DETAIL



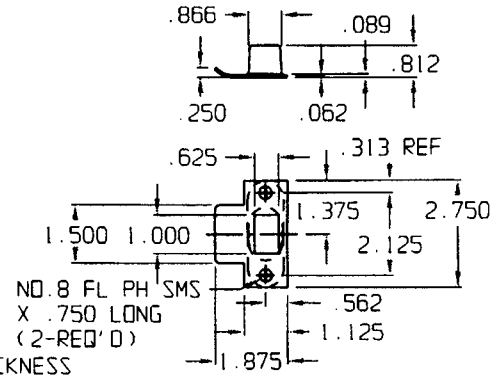
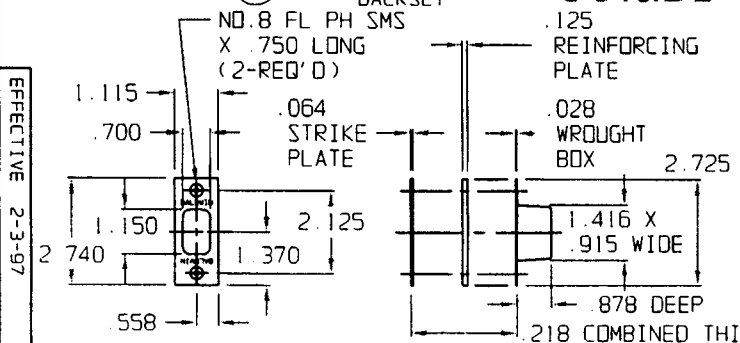
TRIM DETAIL

RIGHT HAND ILLUSTRATED



INSIDE

OUTSIDE



DO NOT SCALE DRAWING



5375 ENTR

TEMPLATE NO. VARIATIONS

TEMPLATE NO.

© 1992 BY BALDWIN HARDWARE CORPORATION

IM026A

EFFECTIVE 2-3-97

DEADBOLT STRIKE, REINFORCEMENT PLATE, & WROUGHT BOX DETAIL LATCH STRIKE & WROUGHT BOX DETAIL