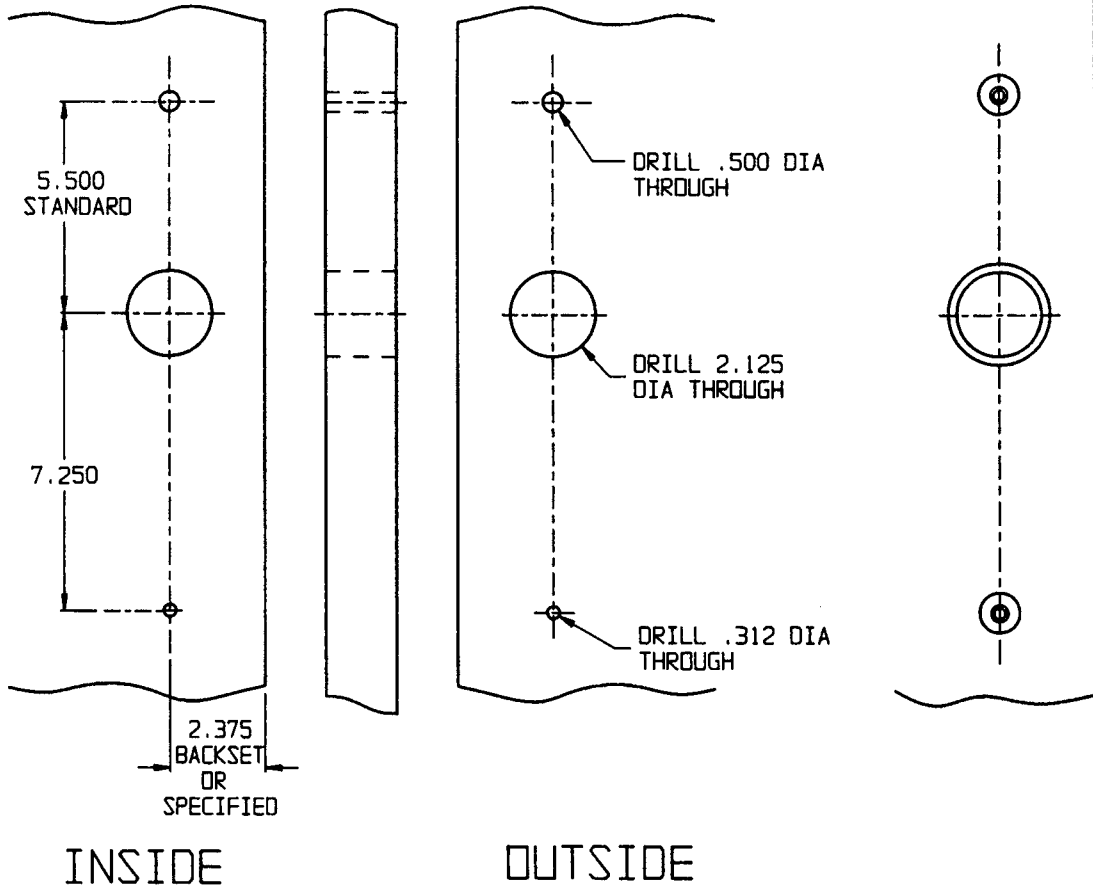
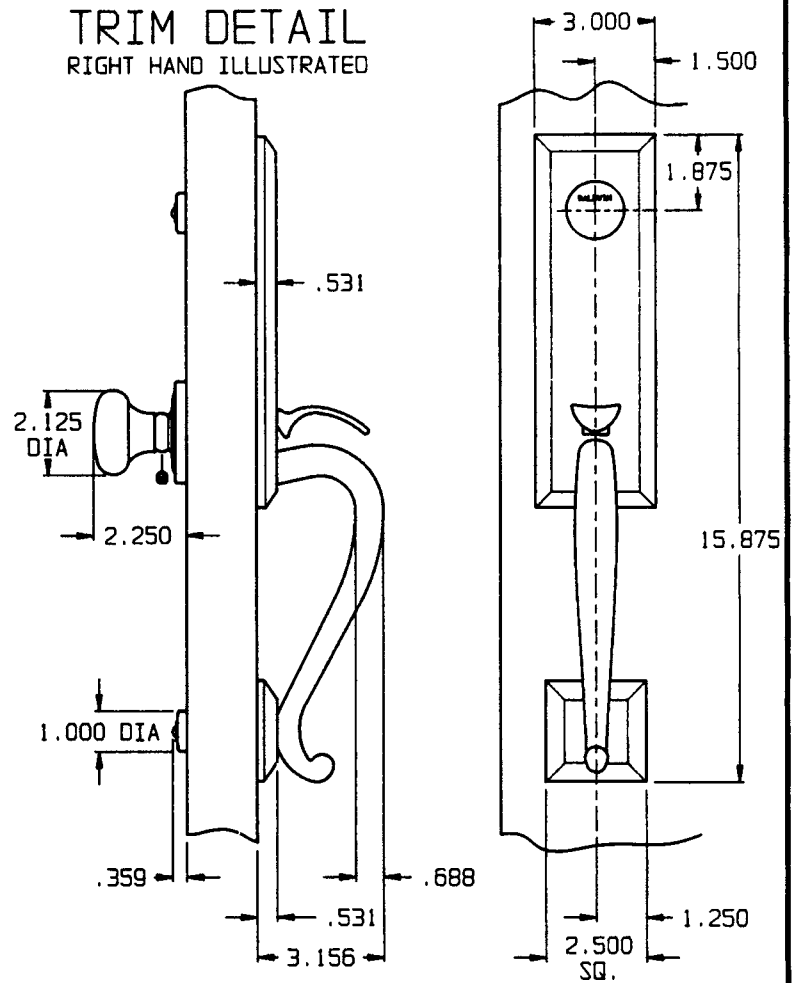


# DOOR DETAIL



# TRIM DETAIL

RIGHT HAND ILLUSTRATED



EFFECTIVE: 5-1-92

DO NOT SCALE DRAWING

**B. BALDWIN**

5375 FD

TEMPLATE NO. VARIATIONS  
5376-ENTR, 5376-DBLC

TEMPLATE NO.

IM030

© 1992 BY BALDWIN HARDWARE CORPORATION