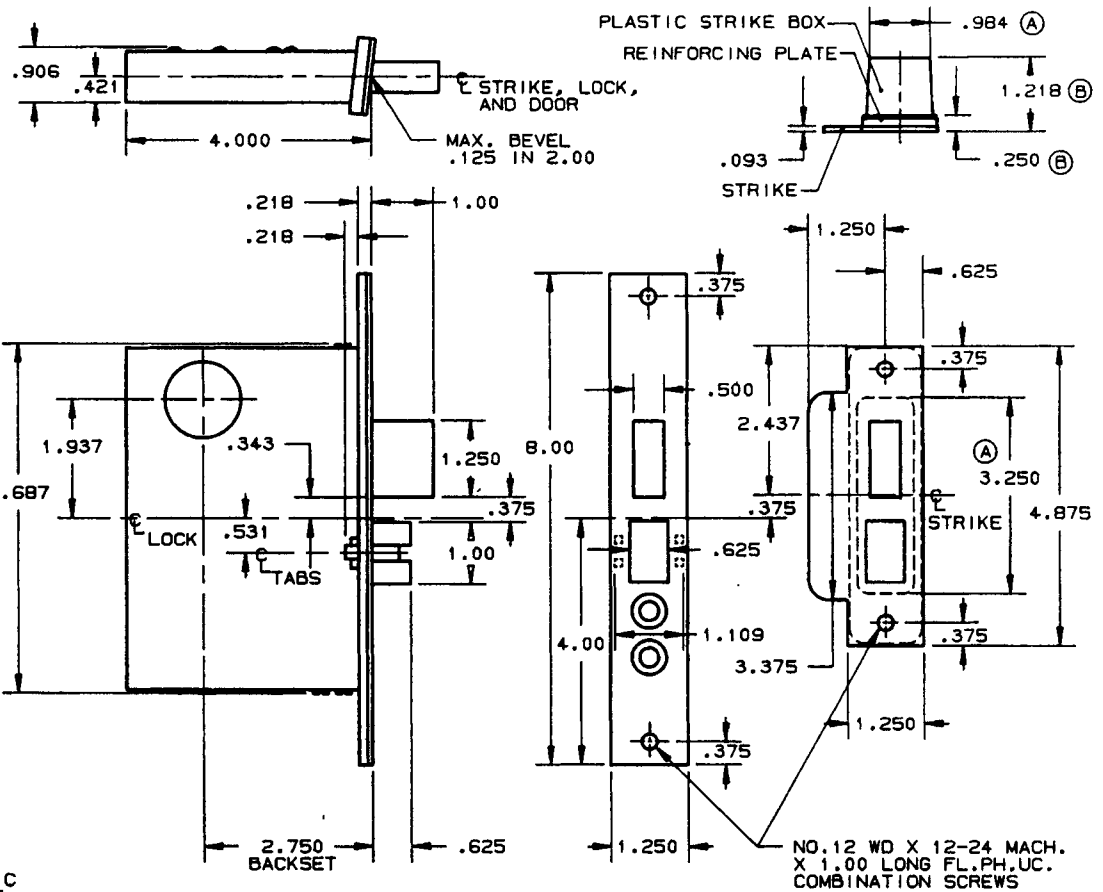
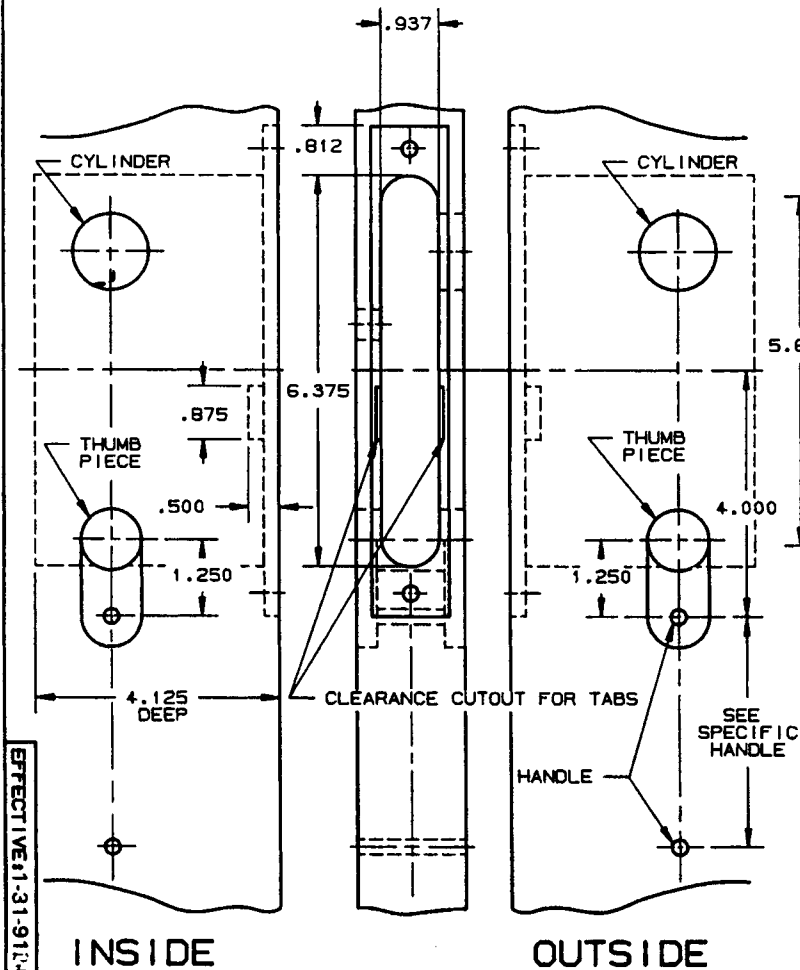


DOOR DETAIL

LOCK DETAIL



- NOTE:
- SEE SPECIFIC TRIM TEMPLATE FOR ADDITIONAL DOOR CUTOUT DETAILS.
 - DISCARD REINFORCING PLATE WHEN INSTALLING ON METAL DOORS & JAMBS.

BALDWIN	
6025 HANDLESET LOCK	
TEMPLATE NO. VARIATIONS	TEMPLATE NO.
	H009-B

DO NOT SCALE DRAWING

EFFECTIVE 11-31-91:K.S.