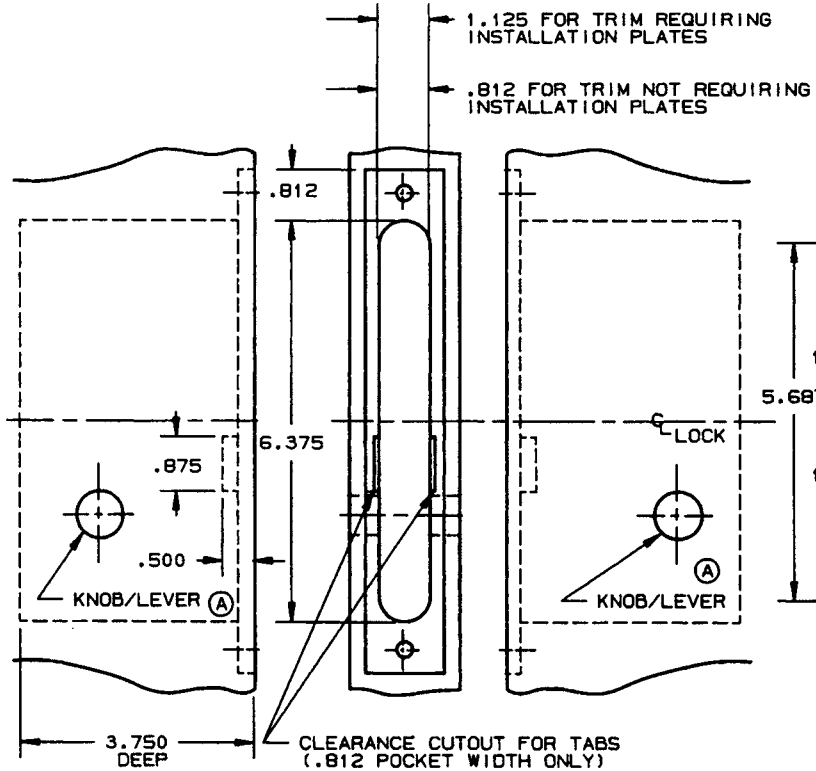
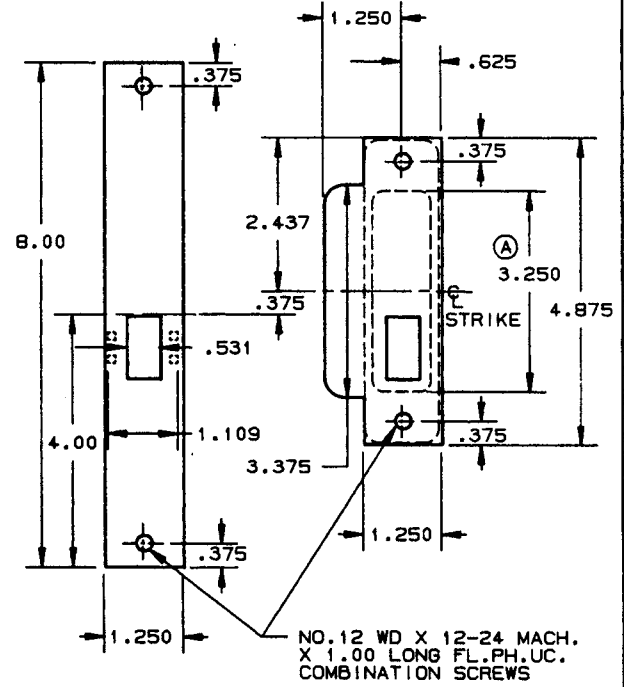
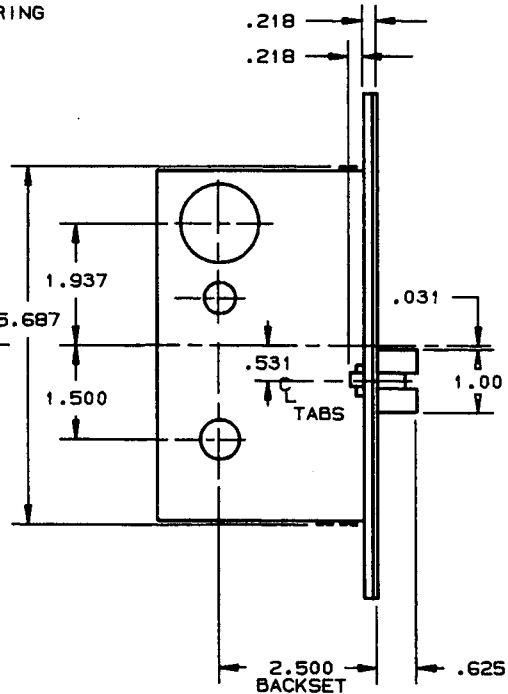
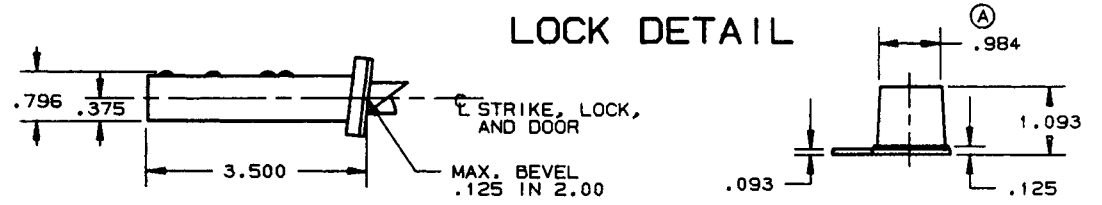


DOOR DETAIL



INSIDE

OUTSIDE



NOTE:
1.) SEE SPECIFIC TRIM TEMPLATE FOR ADDITIONAL DOOR CUTOUT DETAILS.

B. BALDWIN	
6318 AND 6318-LS LOCK (A)	
TEMPLATE NO. VARIATIONS	TEMPLATE NO.
	H159-A

DO NOT SCALE DRAWING

EFFECTIVE: 2-1-90 RAL

SUITABLE REINFORCEMENT BY OTHERS MAY BE REQUIRED FOR METAL AND COMPOSITE CORE DOOR INSTALLATION.