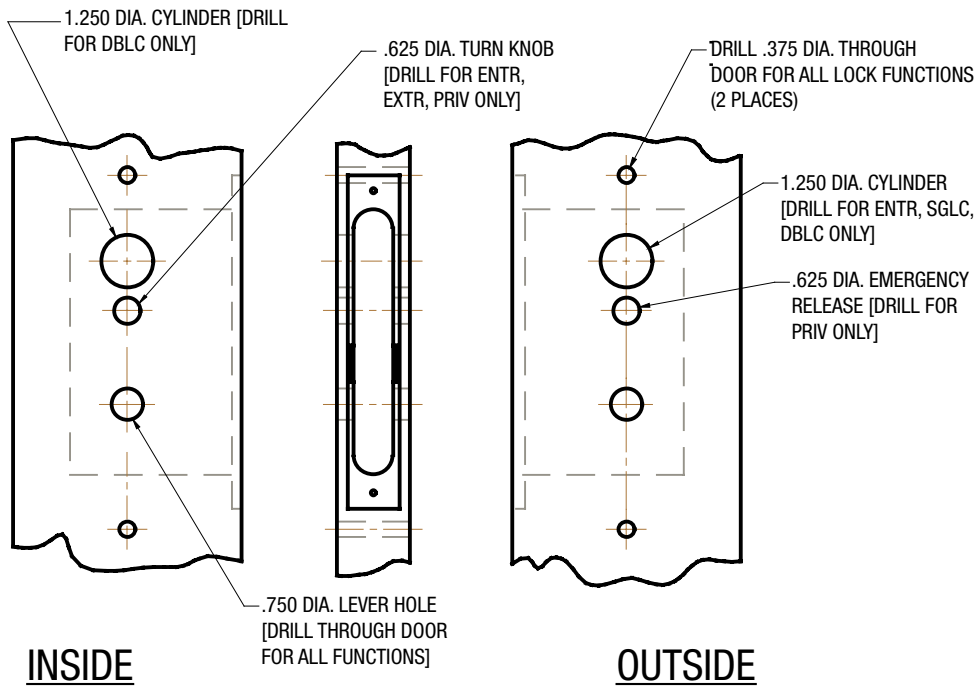
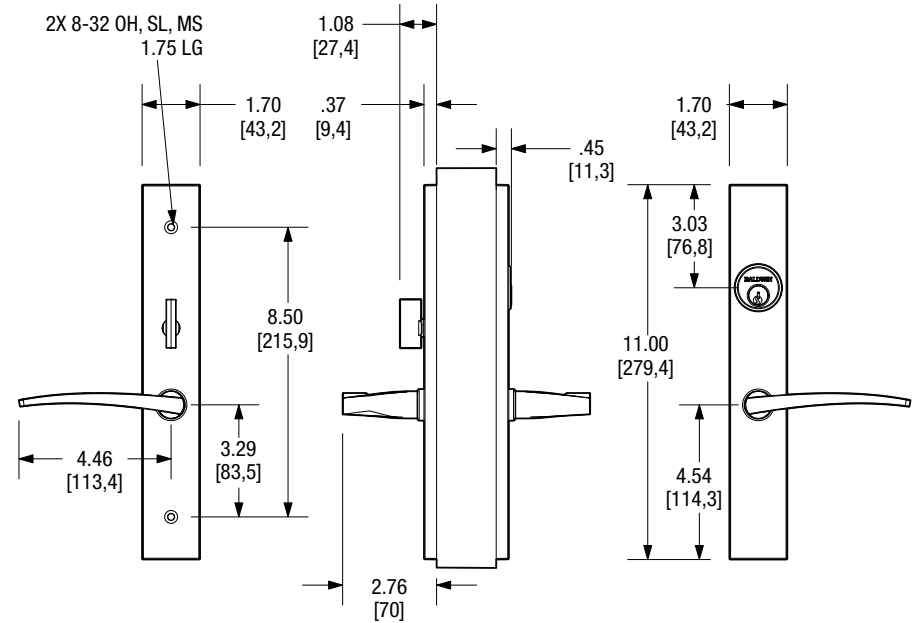


DOOR DETAILS



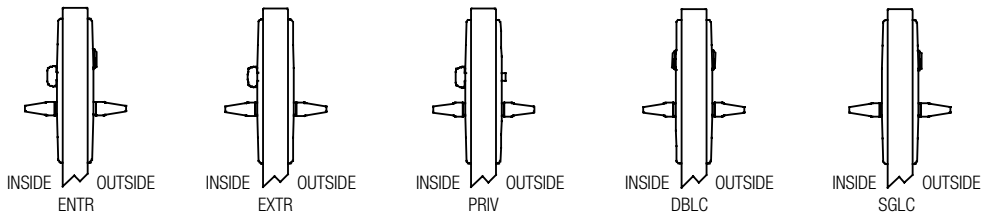
TRIM DETAIL



- NOTE:
- 1) FOR ADDITIONAL LOCK AND DOOR CUTOUT DIMENSIONS, SEE APPROPRIATE LOCK TEMPLATE.
 - 2) DRILL ALL HOLES HALF WAY THROUGH DOOR UNLESS OTHERWISE SPECIFIED.
 - 3) TO ENABLE EMERGENCY TRIM TO FUNCTION, THE TURN PIECE SPINDLE MUST BE CUT TO EXTEND NO FURTHER THAN HALF WAY THROUGH THE LOCK.
 - 4) INSTALLATION PLATES ARE NOT REQUIRED FOR THIS TRIM.

*UNIT OF MEASURE: inches [mm]

EFFECTIVE 04/30/15



DO NOT SCALE DRAWING

BALDWIN®

6915 SANTA MONICA TRIM

TEMPLATE: NO VARIATIONS

TEMPLATE NO.

©2015 Spectrum Brands, Inc.

I-088