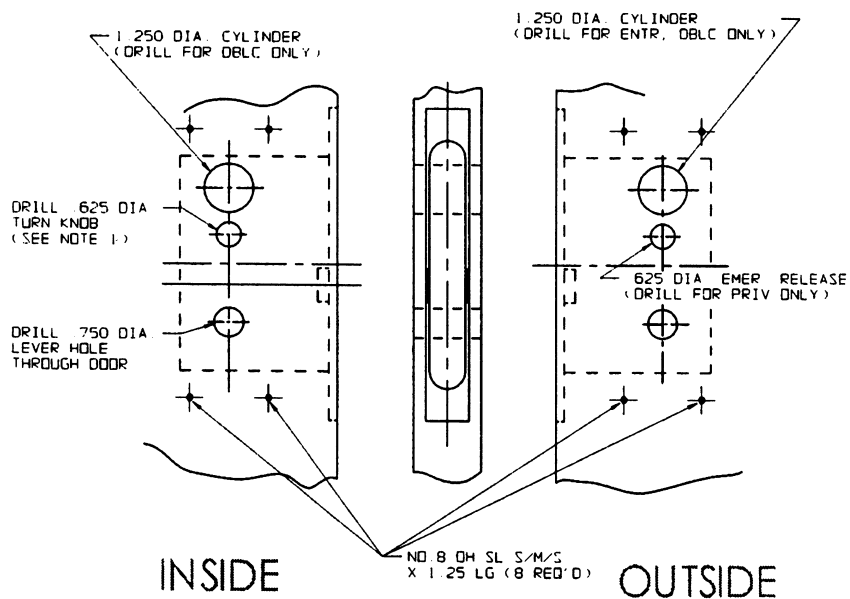
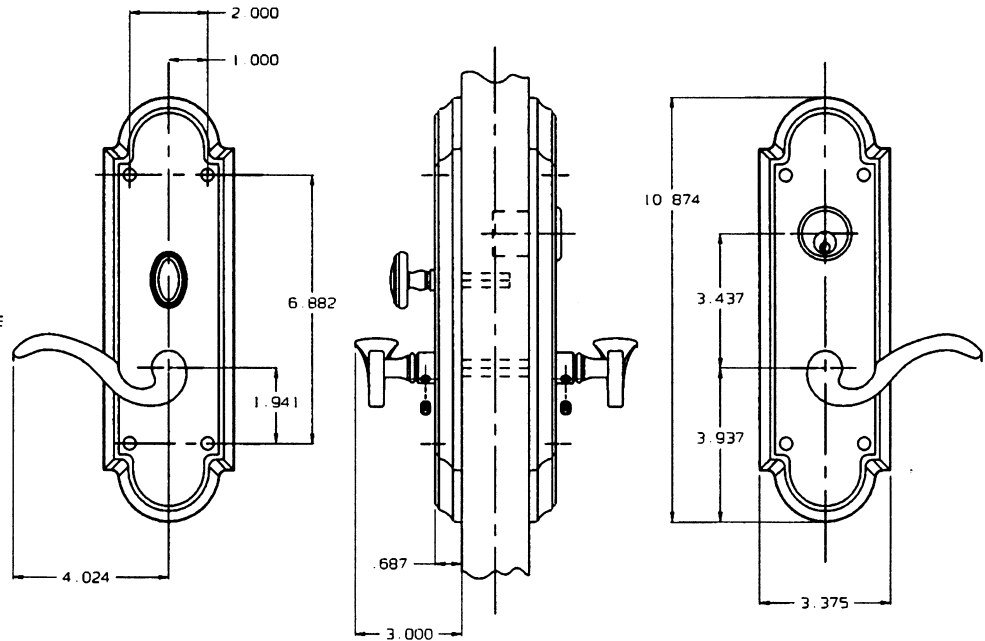


# DOOR DETAIL

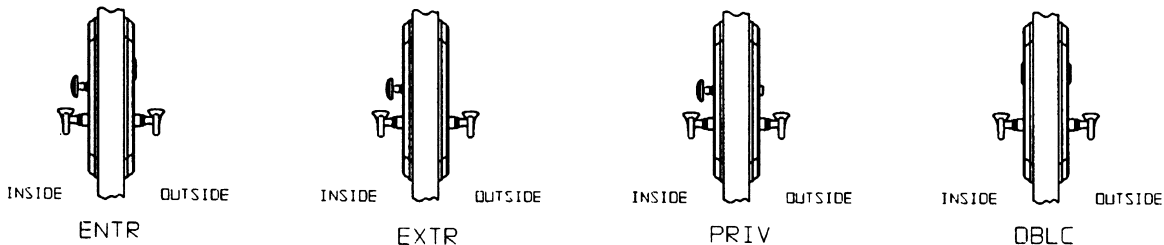


# TRIM DETAIL



- NOTE:
- FOR ADDITIONAL LOCK AND DOOR CUTOUT DIMENSIONS, SEE APPROPRIATE LOCK TEMPLATE
  - DRILL ALL HOLES HALF WAY THROUGH DOOR UNLESS OTHERWISE SPECIFIED
  - TO ENABLE EMERGENCY TRIM TO FUNCTION, THE TURNPIECE SPINDLE MUST BE CUT TO EXTEND NO FARTHER THAN HALF WAY THROUGH THE LOCK
  - INSTALLATION PLATES ARE NOT REQUIRED FOR THIS TRIM

EFFECTIVE: 2-3-97



DO NOT SCALE DRAWING

**B. BALDWIN**

6951 STANFORD

TEMPLATE NO. VARIATIONS

TEMPLATE NO.

© 1992 BY BALDWIN HARDWARE CORPORATION

1116