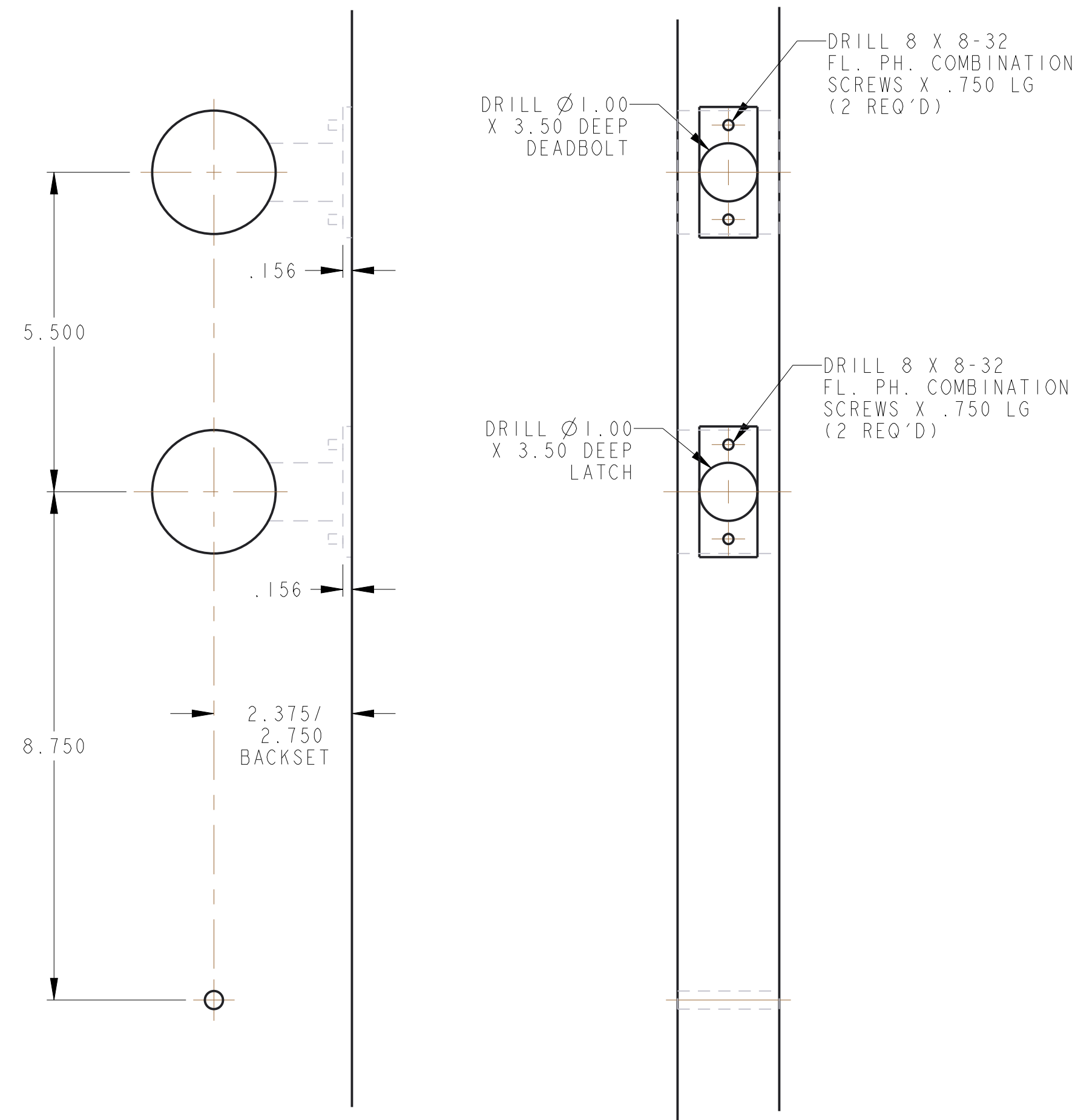


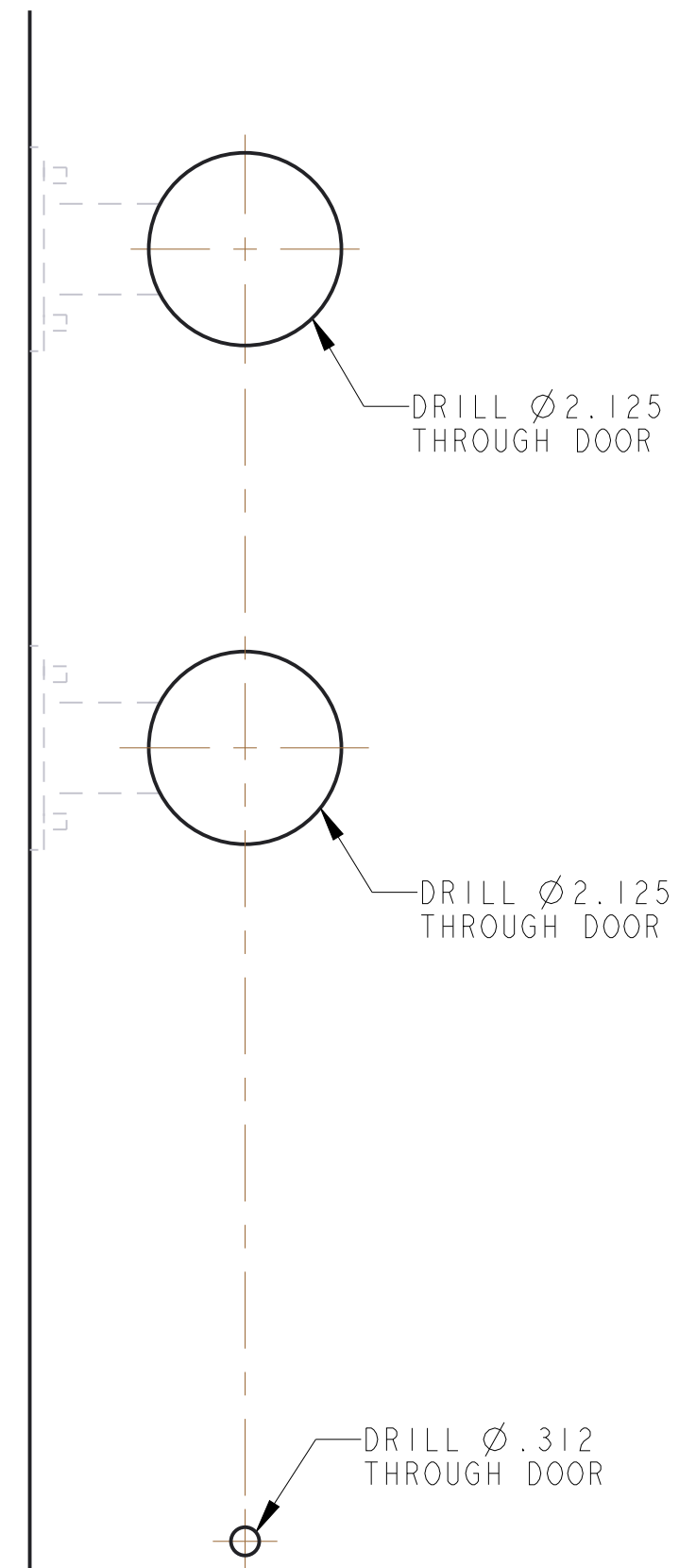
REV	DESCRIPTION
A	SEE SHEET 1

DOOR DETAIL

OUTSIDE



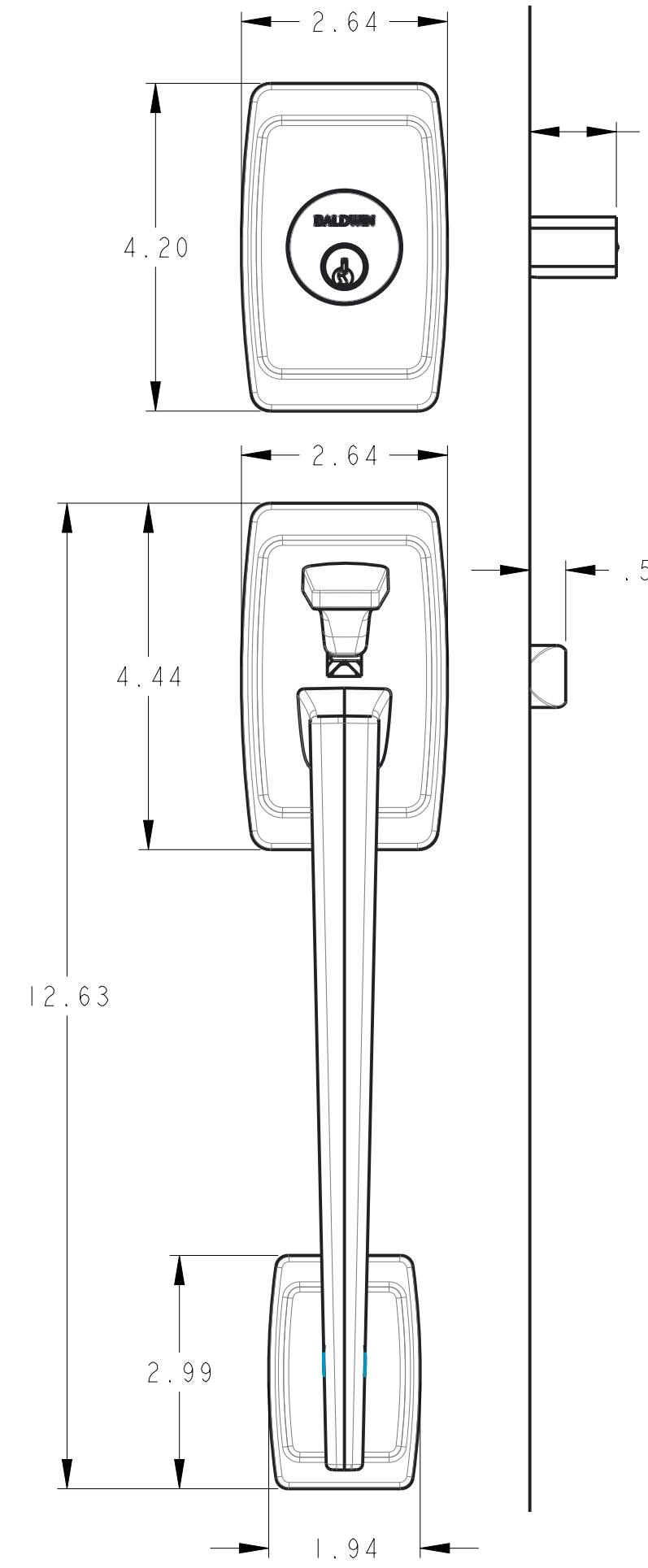
INSIDE



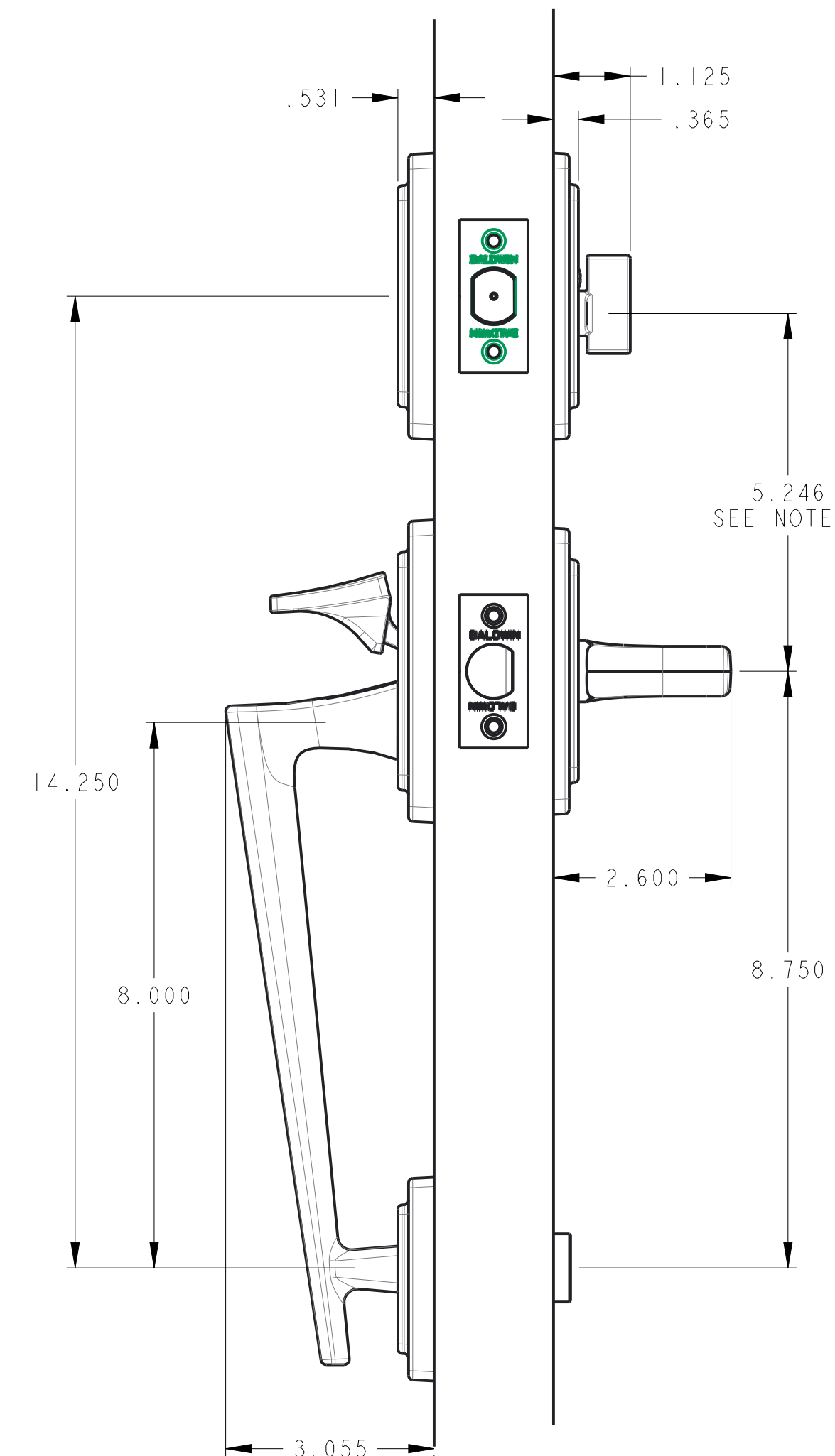
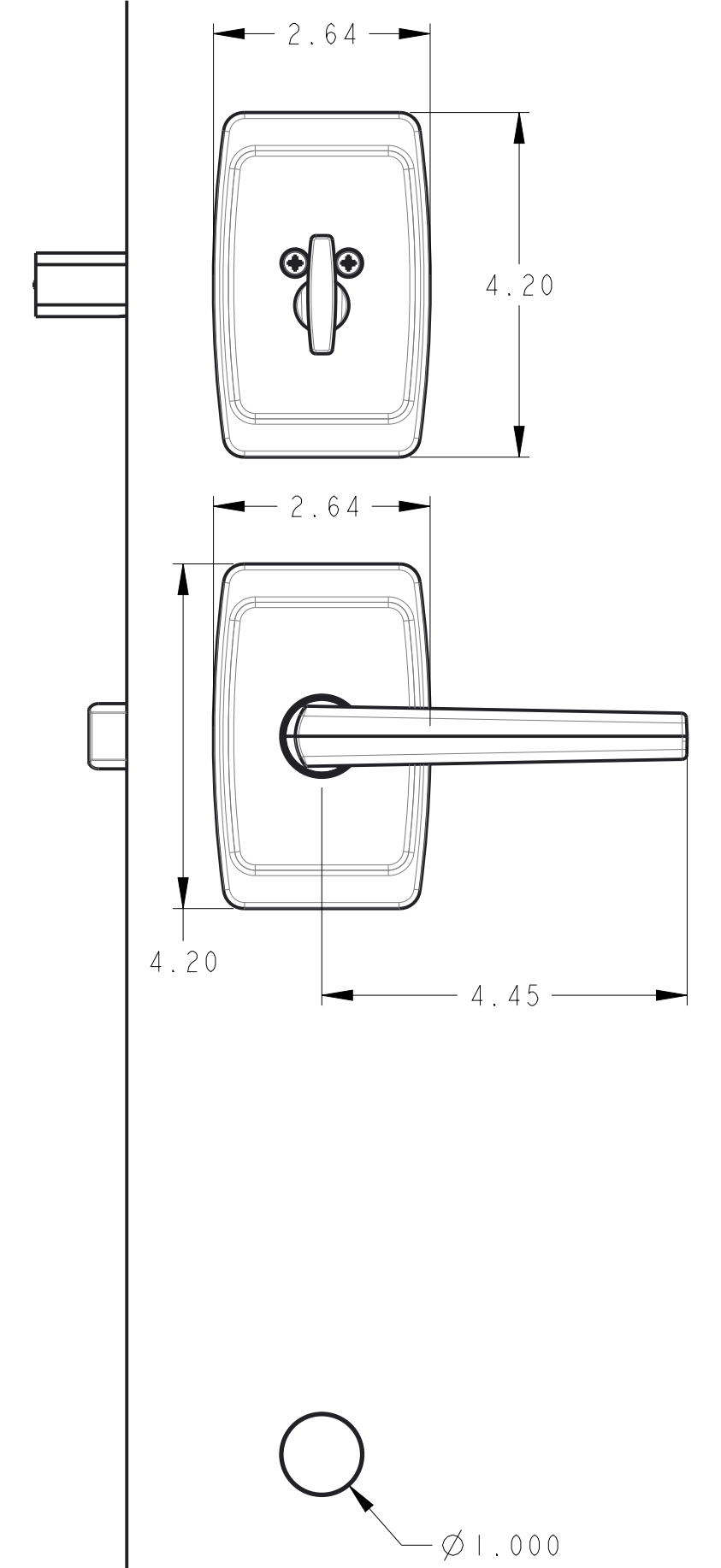
TRIM DETAIL

RIGHT HAND ILLUSTRATED

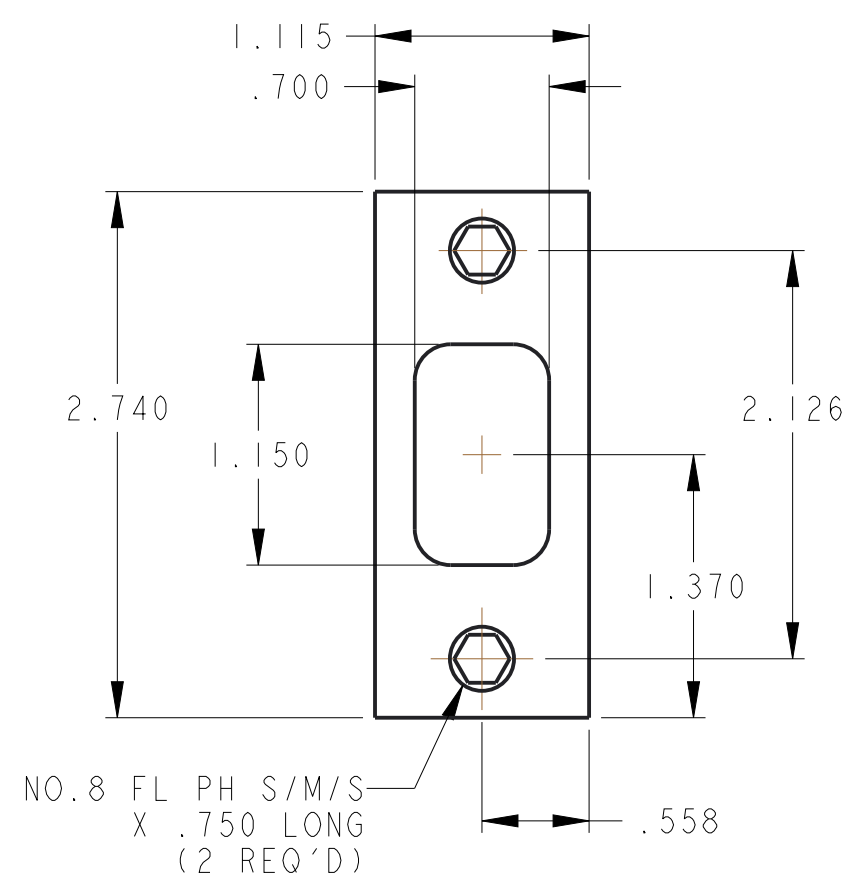
OUTSIDE



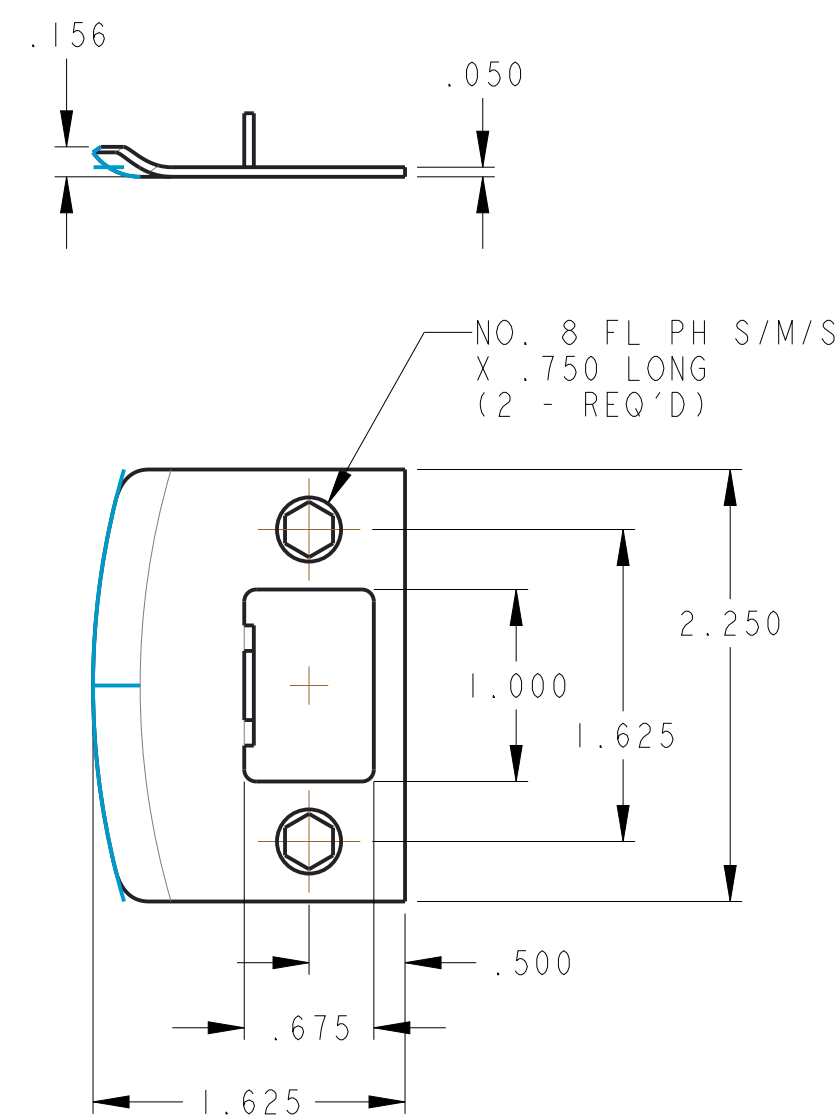
INSIDE



DEADBOLT STRIKE



LATCH STRIKE



NOTE:
1. TURN KNOB IS NOT CONCENTRIC TO Ø2.125 BORE HOLE.

BALDWIN Spectrum Brands Hardware & Home Improvement		THIS DOCUMENT IS THE PROPERTY OF SPECTRUM BRANDS. NO PART OF THIS DOCUMENT IS TO BE REPRODUCED OR TRANSMITTED IN ANY FORM OR BY ANY MEANS, ELECTRONIC OR MECHANICAL, INCLUDING PHOTOCOPYING, RECORDING, OR BY ANY INFORMATION STORAGE AND RETRIEVAL SYSTEM, WITHOUT THE WRITTEN PERMISSION OF SPECTRUM BRANDS. PRIOR WRITTEN CONSENT.		TITLE 85395 PALM SPRINGS SECTIONAL TRIM	
SIZE D	DO NOT SCALE DRAWING	DWG. NO. P12265-3	RELEASE STATE Preliminary	REV A	LITER 1
SCALE 1/2	SHEET 3 OF 10				