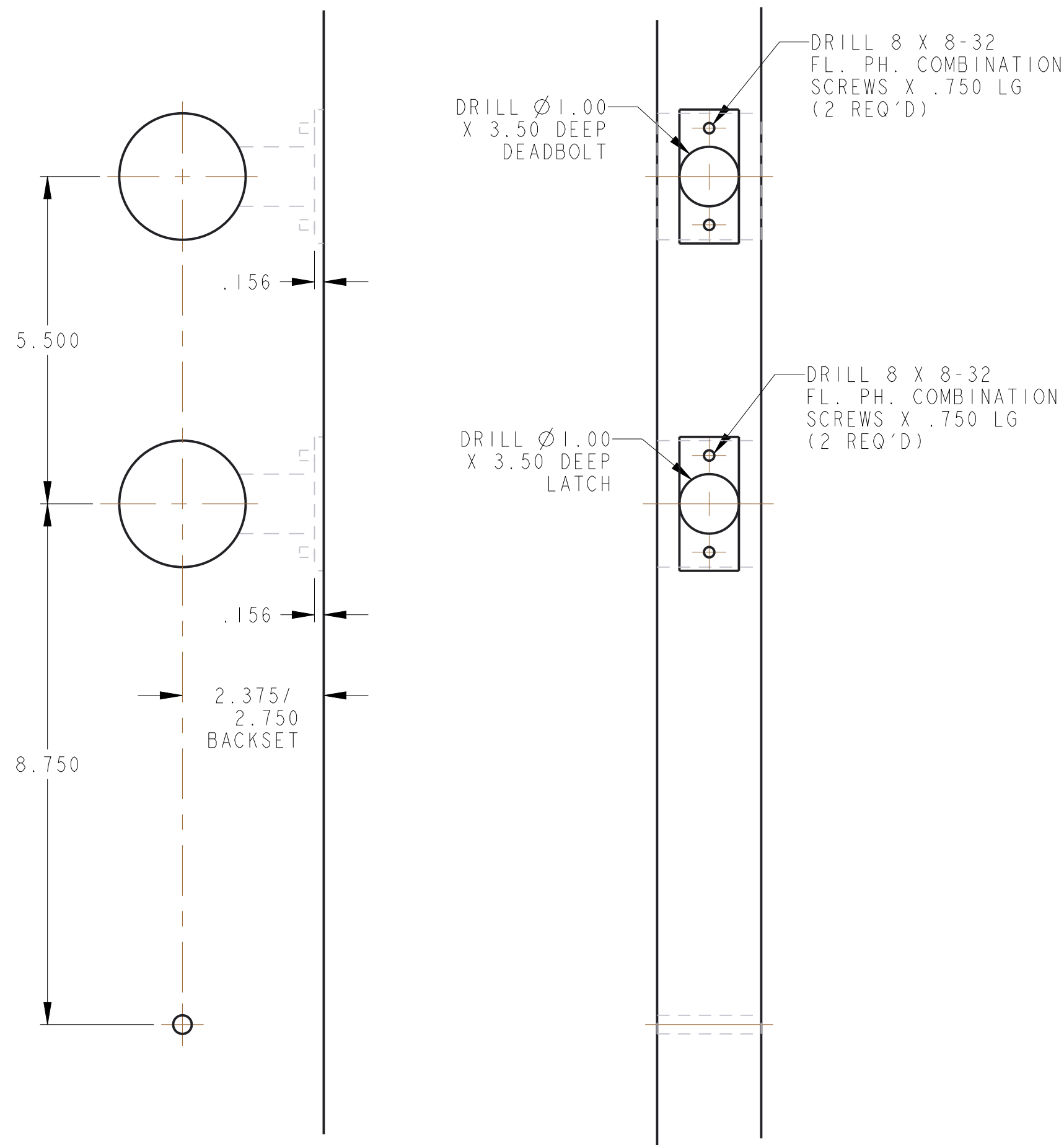
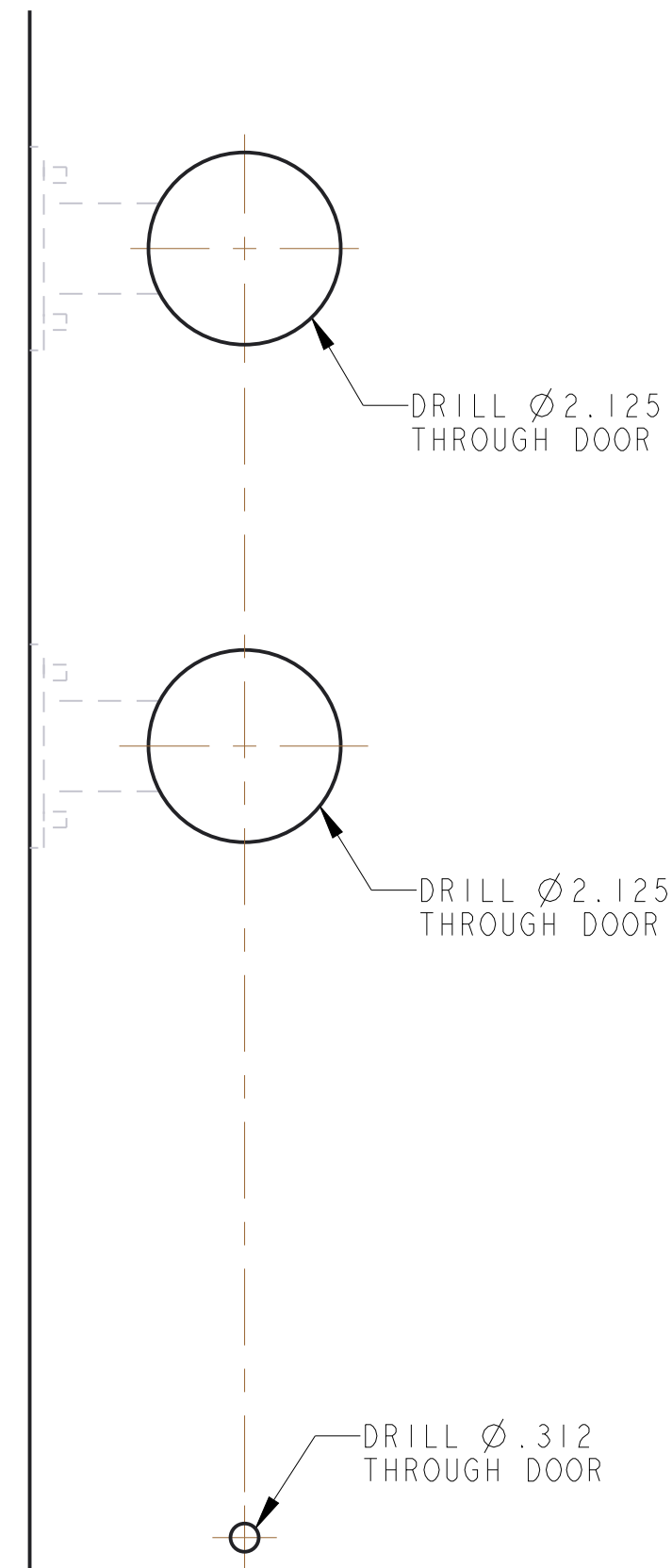


# DOOR DETAIL

OUTSIDE



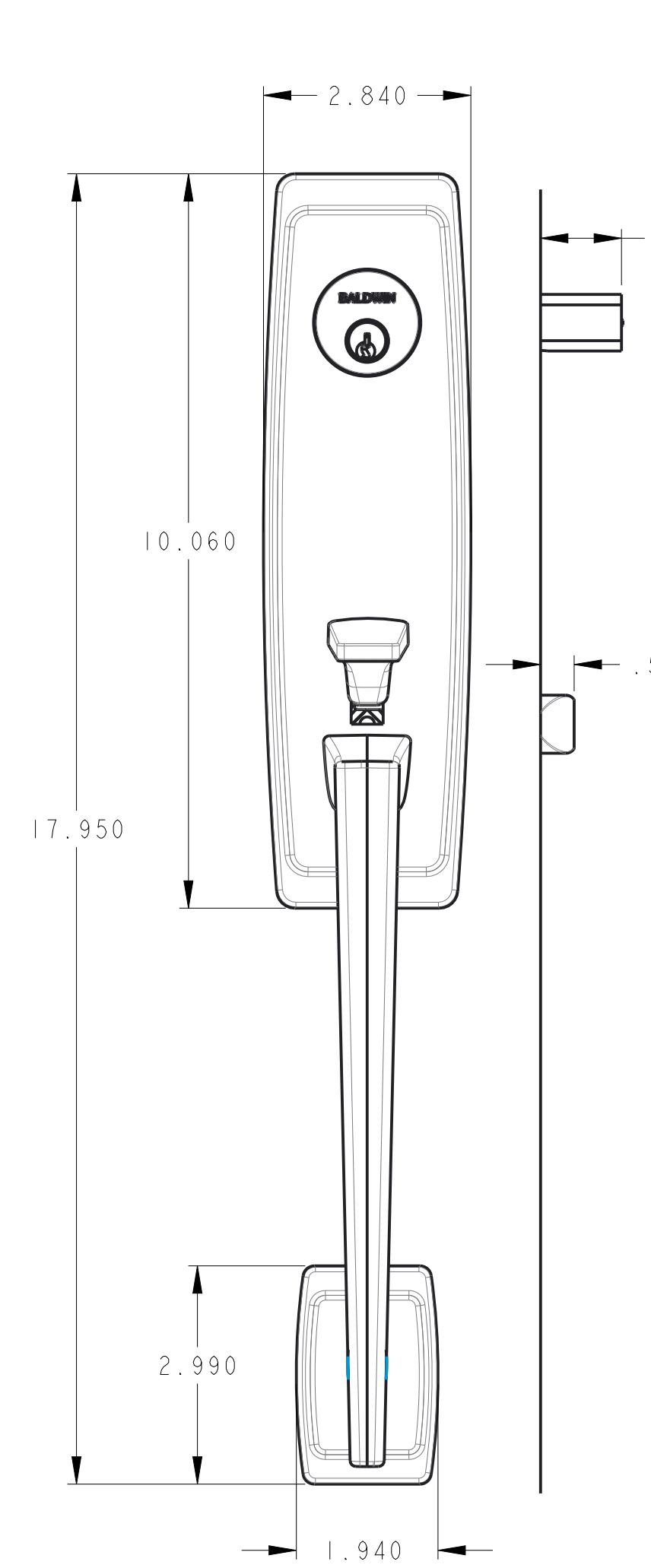
INSIDE



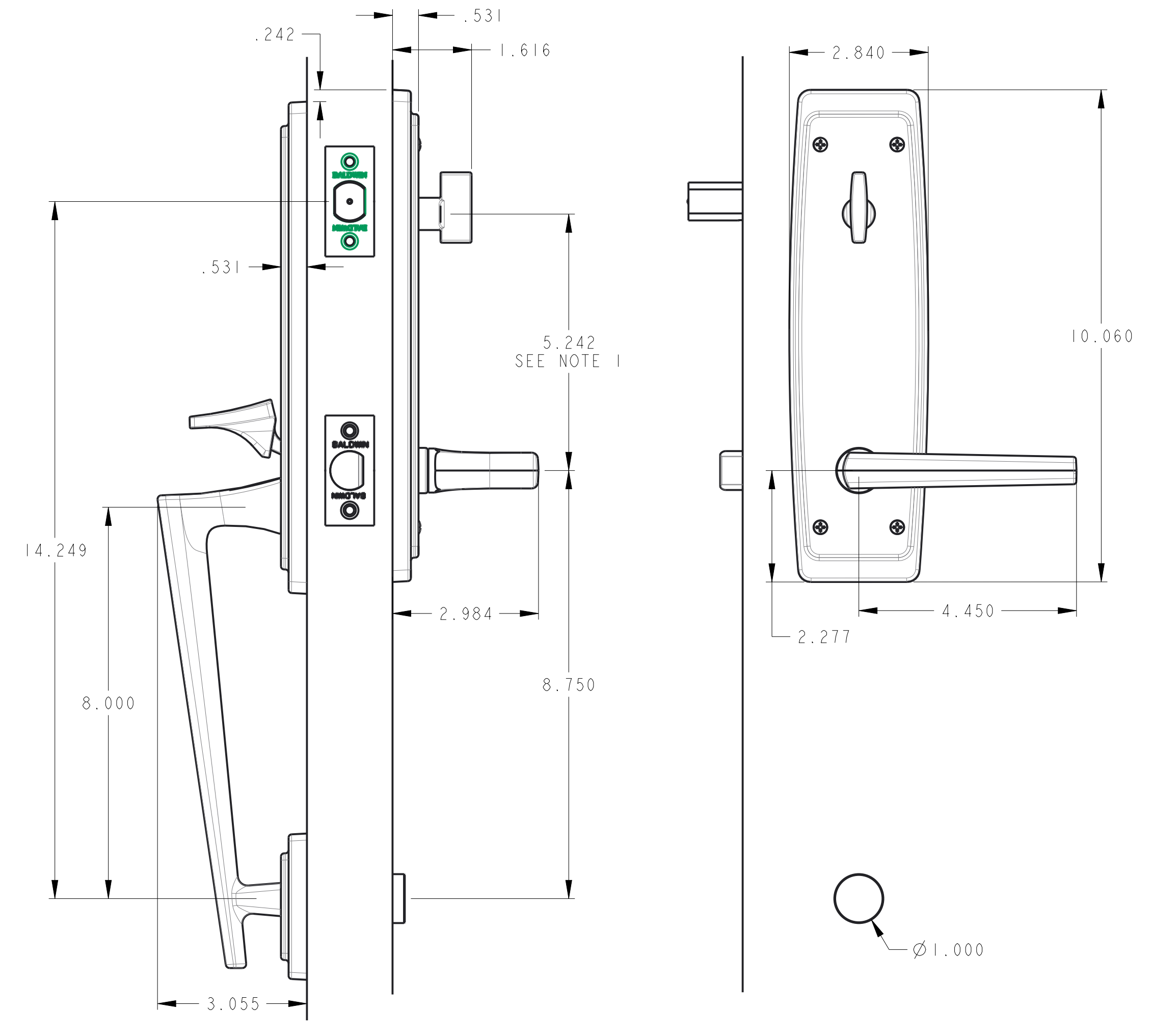
# TRIM DETAIL

RIGHT HAND ILLUSTRATED

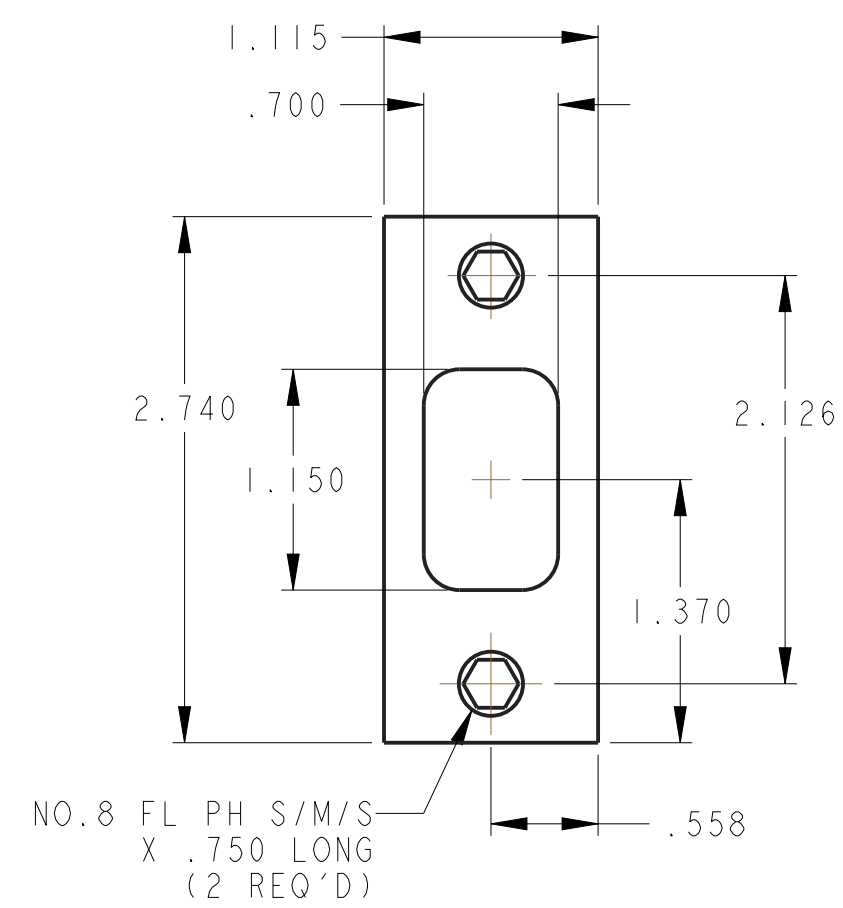
OUTSIDE



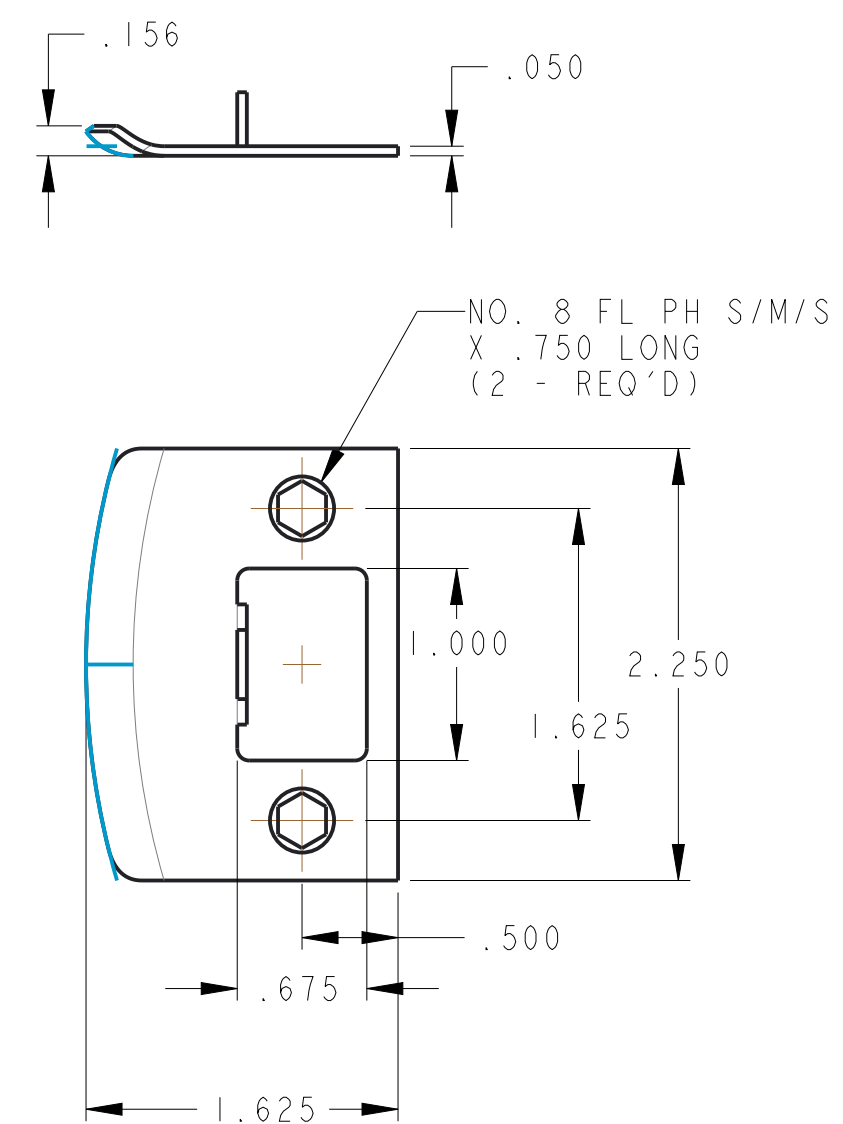
INSIDE



DEADBOLT STRIKE



LATCH STRIKE



NOTE:  
1. TURN KNOB IS NOT CONCENTRIC TO Ø2.125 BORE HOLE.

<b>BALDWIN</b> Spectrum Brands   Hardware & Home Improvement		THIS DOCUMENT IS THE PROPERTY OF SPECTRUM BRANDS. NO PART OF THIS DOCUMENT IS TO BE REPRODUCED OR TRANSMITTED IN ANY FORM OR BY ANY MEANS, ELECTRONIC OR MECHANICAL, INCLUDING PHOTOCOPYING, RECORDING, OR BY ANY INFORMATION STORAGE AND RETRIEVAL SYSTEM, WITHOUT THE EXPRESS WRITTEN PERMISSION OF SPECTRUM BRANDS. PRIOR WRITTEN CONSENT.		TITLE <b>85396 PALM SPRINGS 3/4 TRIM</b>	
SIZE <b>D</b>	DO NOT SCALE DRAWING	DWG NO <b>P12265-5</b>	RELEASE STATE <b>Preliminary</b>	REV <b>A</b>	TITER <b>1</b>
SCALE <b>1/2</b>	SHEET <b>5 OF 10</b>				