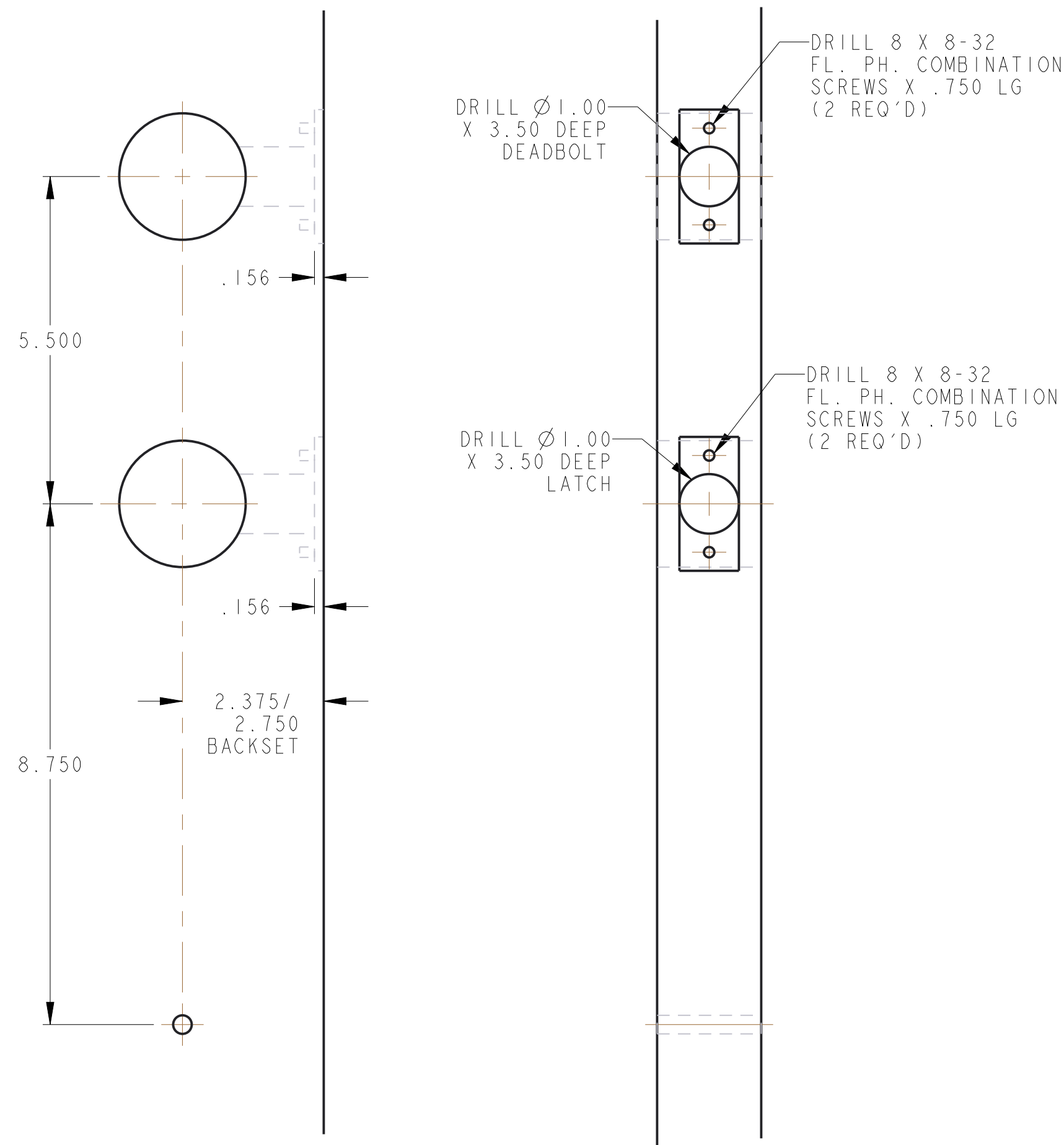
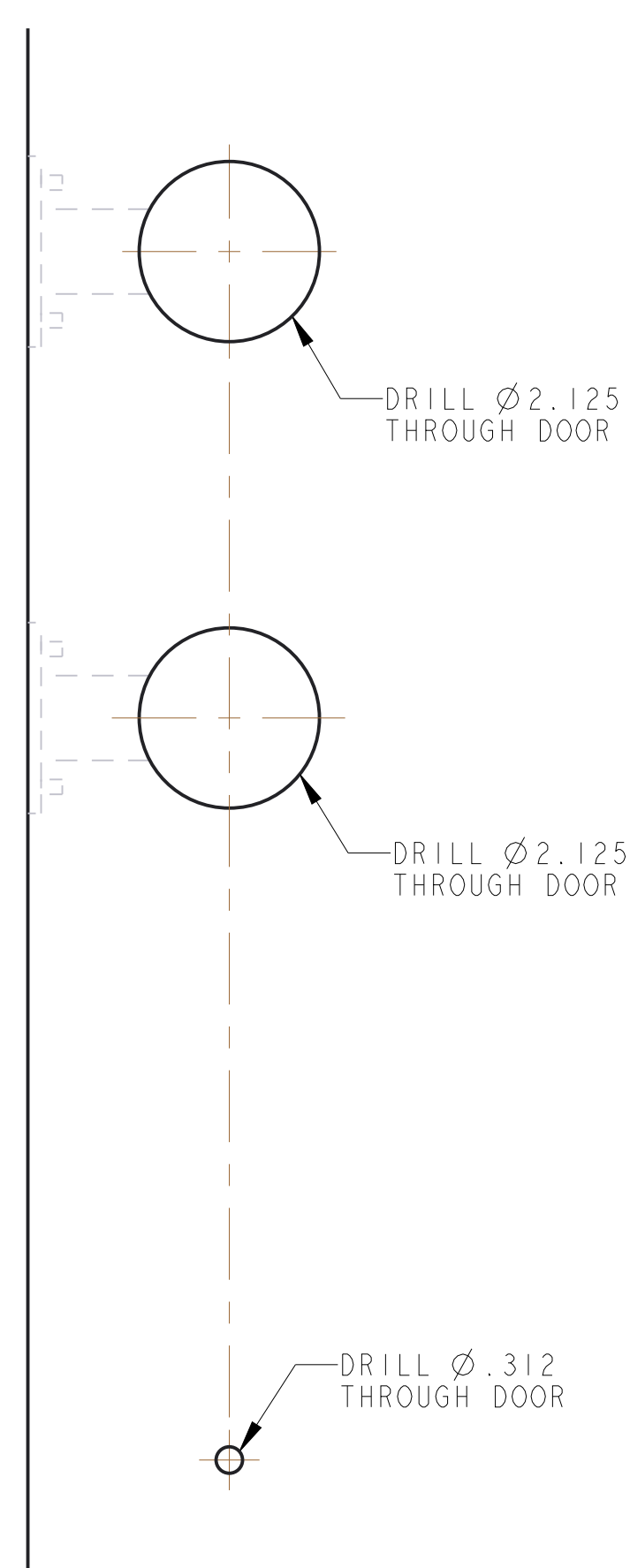


DOOR DETAIL

OUTSIDE



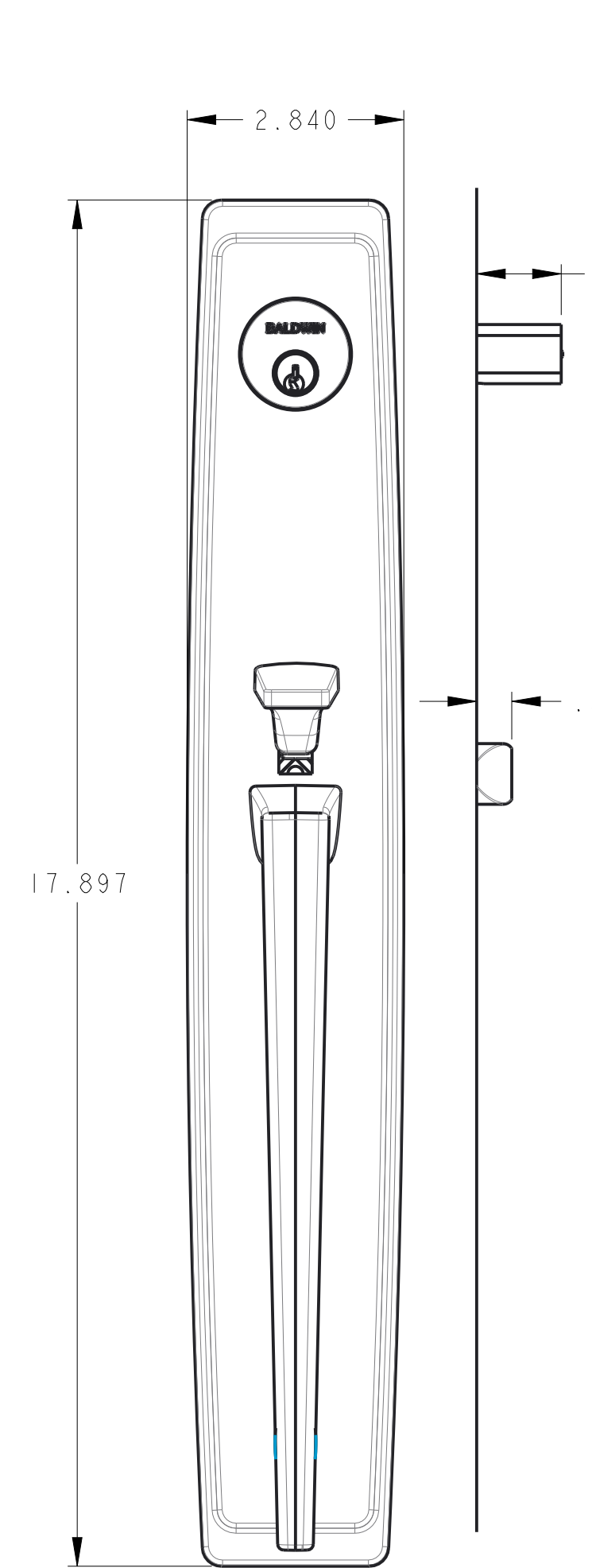
INSIDE



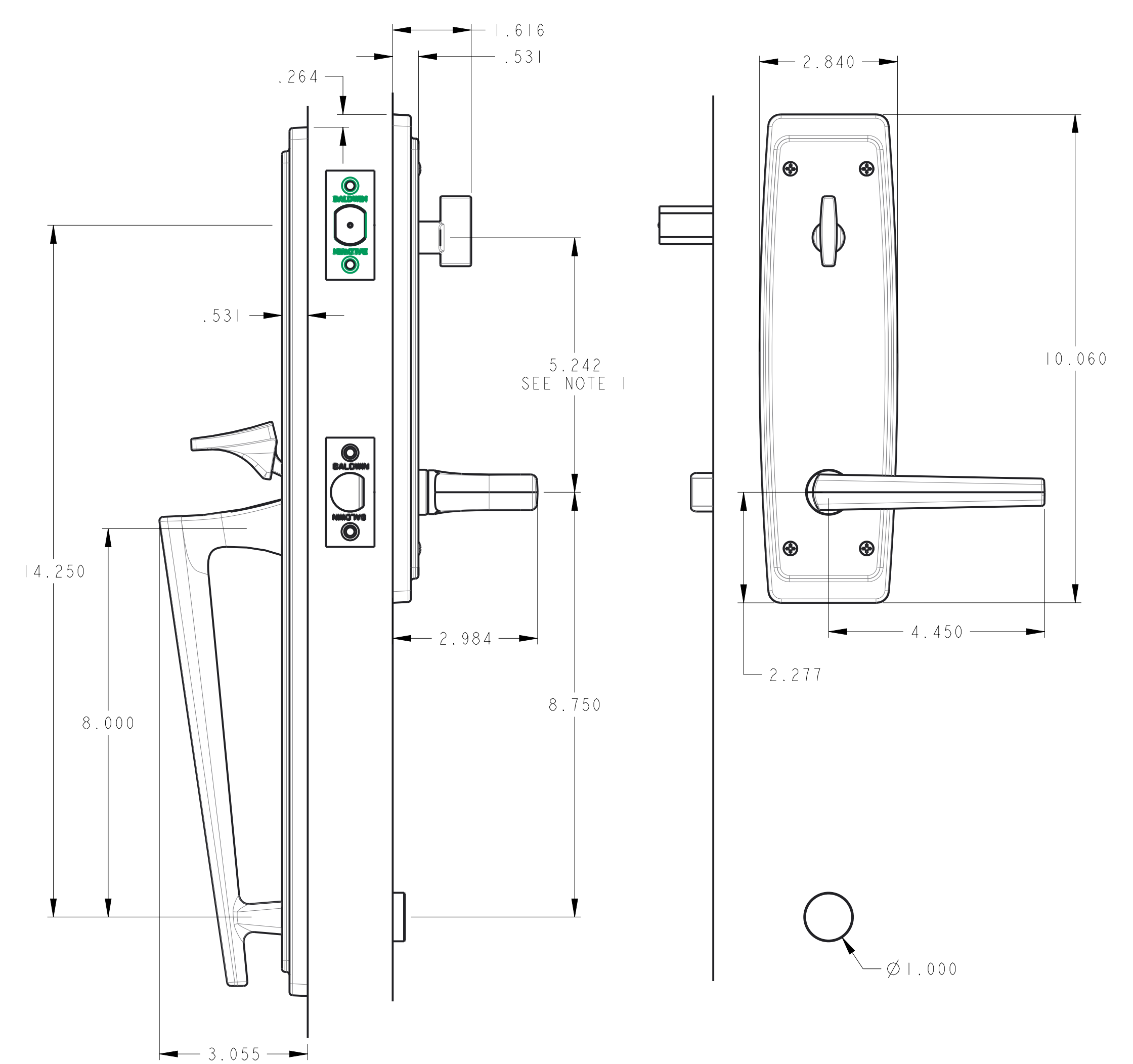
TRIM DETAIL

RIGHT HAND ILLUSTRATED

OUTSIDE

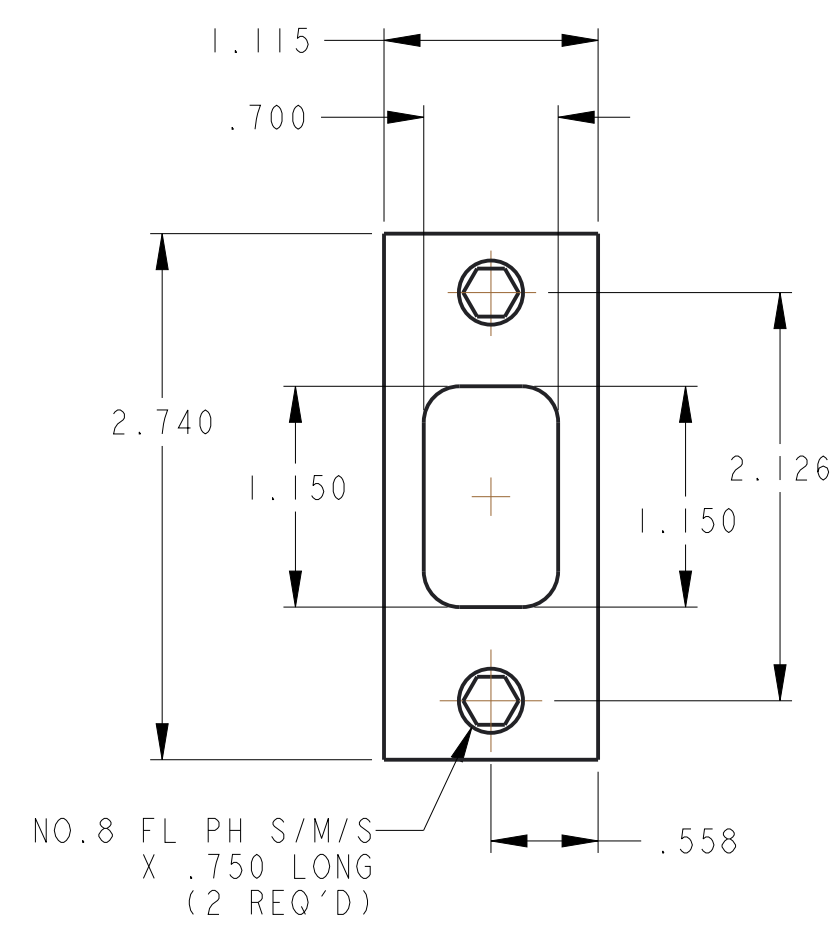


INSIDE

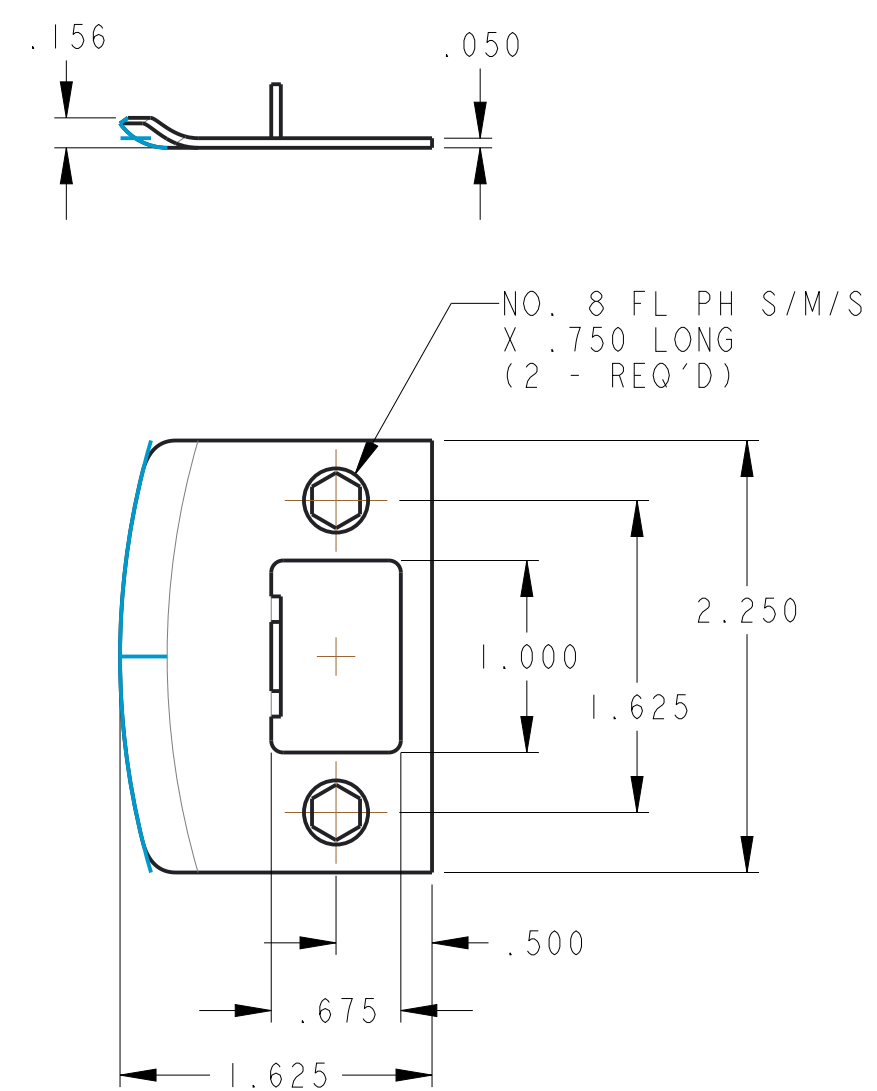


NOTE:
1. TURN KNOB IS NOT CONCENTRIC TO \varnothing 2.125 BORE HOLE.

DEADBOLT STRIKE



LATCH STRIKE



BALDWIN		THIS DOCUMENT IS THE PROPERTY OF SPECTRUM BRANDS. IT AND ITS CONTENTS ARE UNCLASSIFIED AND CONTROLLED INFORMATION. IT IS TO BE USED ONLY FOR THE PURPOSES AND FOR THE TERM OF THE CONTRACT UNDER WHICH IT IS ISSUED. IT IS TO BE DESTROYED WHEN THE CONTRACT IS COMPLETED. UNAUTHORIZED REPRODUCTION, COPIES, OR PUBLISHED PRODUCT SPECTRUM BRANDS. TRADE MARKS.	
Spectrum Brands Hardware & Home Improvement		85397 PALM SPRINGS FULL TRIM	
SIZE D	DO NOT SCALE DRAWING	DWG NO P12265-7	RELEASE STATE Preliminary
SCALE 1/2		REV A	TITER 1
		SHEET 7	OF 10