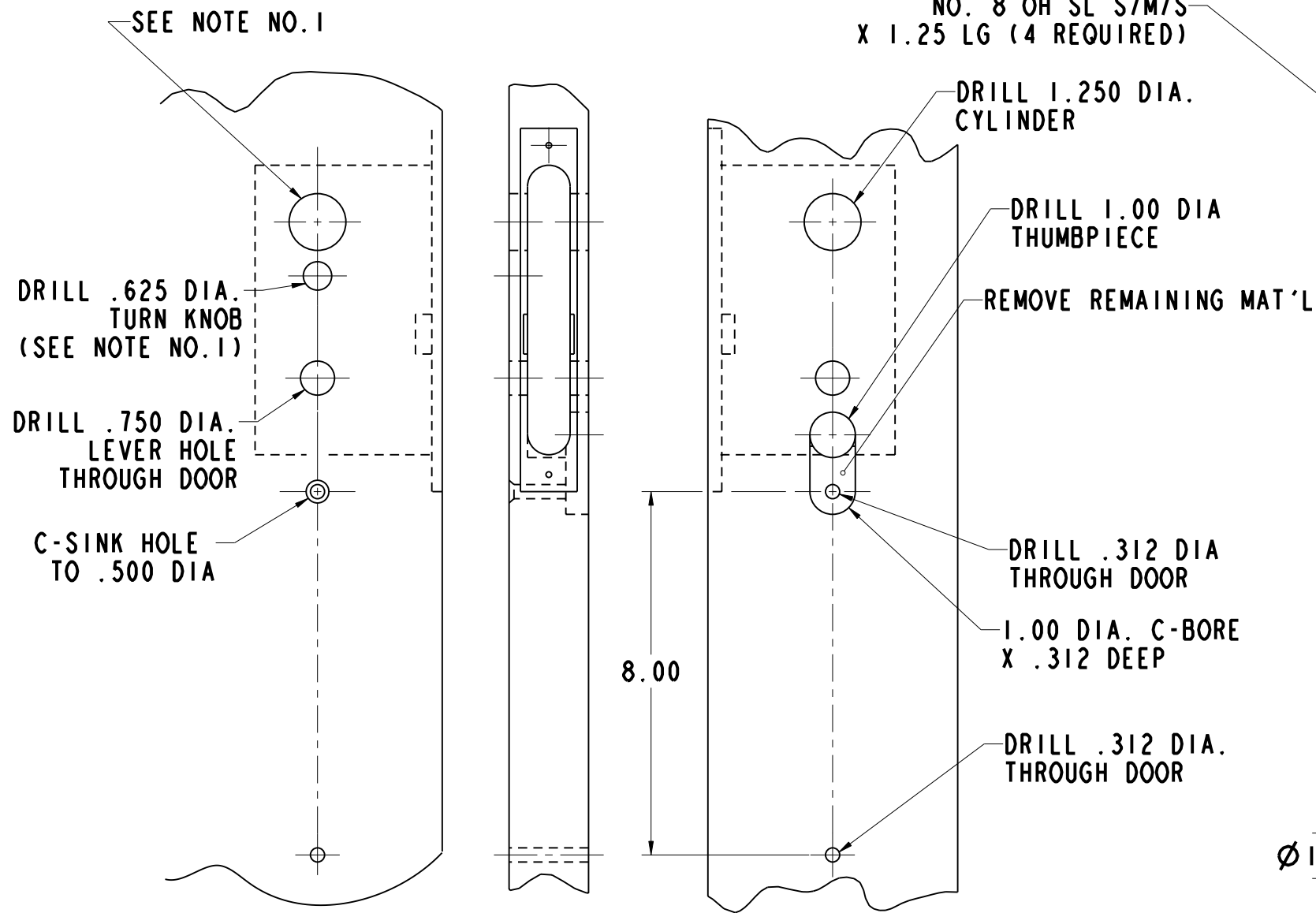


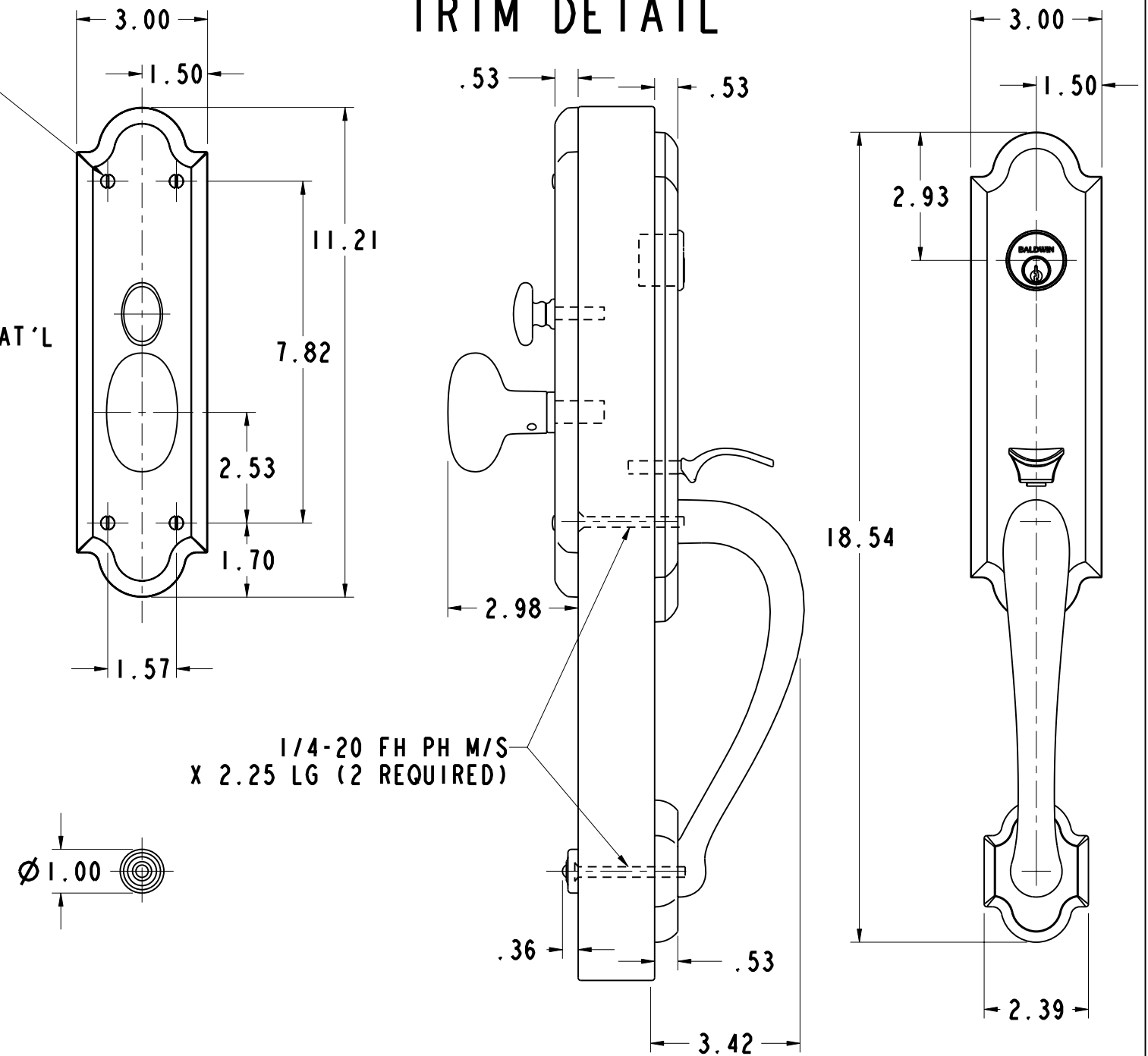
DOOR DETAIL



INSIDE

OUTSIDE

TRIM DETAIL



NOTE:

- 1) WHEN PREPARING DOOR FOR ^LDBL FUNCTION, OMIT DRILLING OF Ø .625 TURN KNOB HOLE (INSIDE). DRILL A Ø 1.250 CYLINDER HOLE INSTEAD, USING SAME CENTER LINE AS OUTSIDE CYLINDER HOLE.
- 2) FOR ADDITIONAL LOCK AND DOOR CUTOUT DIMENSIONS, SEE APPROPRIATE LOCK TEMPLATE.
- 3) DRILL ALL HOLES HALF WAY THROUGH DOOR UNLESS OTHERWISE SPECIFIED.
- 4) INSTALLATION PLATES ARE NOT REQUIRED FOR THIS TRIM.

EFFECTIVE 10-22-07

DO NOT SCALE DRAWING

BALDWIN HARDWARE CORPORATION
READING, PENNSYLVANIA

BLACK & DECKER COMPANY

M512 BOULDER TRIM

TEMPLATE: NO VARIATIONS TEMPLATE NO.

© 2006 BY BALDWIN HARDWARE CORPORATION

I-512