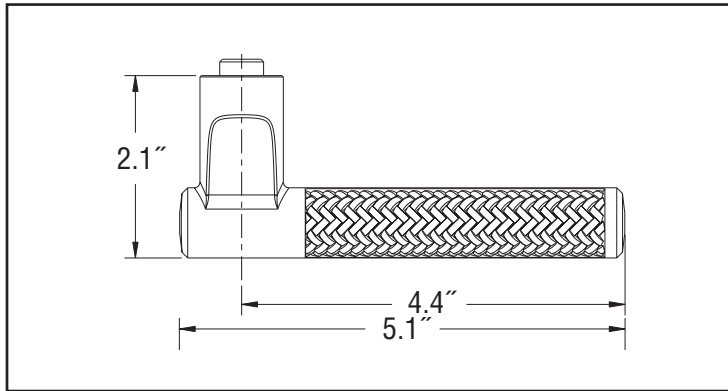


# BALDWIN®

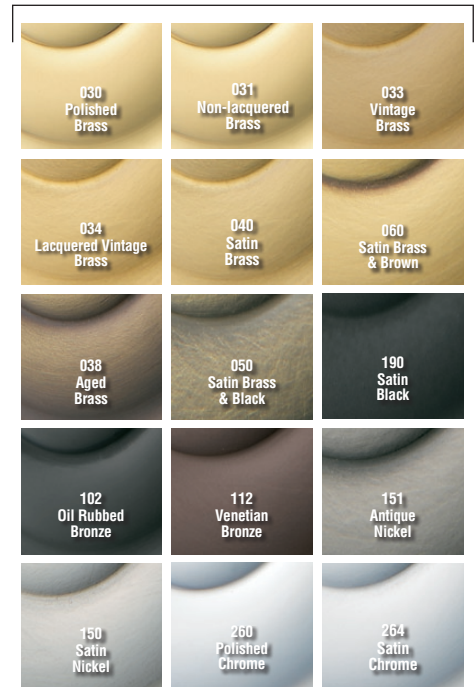
## L015 ESTATE LEVER

SPECIFICATIONS



- > Accessibility Code (ADA) A117.1 for all levers.
- > Certified by Underwriters Laboratories (UL) for use on fire doors up to three-hour rating
- > U L10C / UBC 7-2 (1997) Positive Pressure Rated, UL10B Pressure Rated
- > Material: Solid Brass

### TIER 1 FINISHES



### TIER 2 FINISHES

