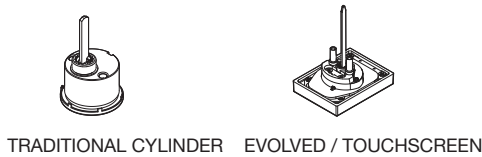


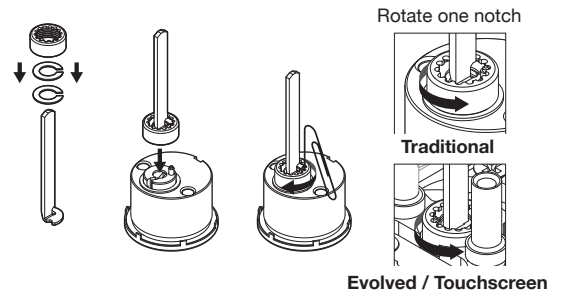
Required tools	Parts in the box		*Installation is the same regardless of model shown		
	Silver Plated Spacer <b>A</b>	Brass Plated Spacer <b>B</b>	10-32 x 1 3/8" long, pan head screws <b>E</b>	10-32 x 2 5/16" long, pan head screws <b>G</b>	Strike <b>K</b>
	Traditional Cylinder Tailpiece <b>C</b>		10-32 x 1 5/8" long, flat head screws <b>F</b>	10-32 x 2 3/4" long, flat head screw <b>H</b>	
	Evolved / Touchscreen Tailpiece <b>D</b>			10-32 x 3 1/4" long, counter-sunk screw <b>J</b>	

## 1 DEADBOLT CONVERSION

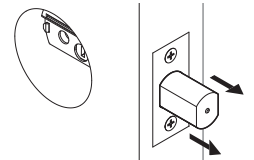
**a** Make sure the key is not in the cylinder, and lay the cylinder on a flat surface with the tailpiece facing up.



**c** Install the cap and washer onto the new tailpiece, and place the assembly onto the cylinder. Press the pin down, and turn the cap clockwise to tighten. Once fully tightened, rotate the cap counterclockwise one notch.



**d** Make sure the latch bolt is fully extended before installing the interior and exterior deadbolt assemblies.



DOOR THICKNESS	Parts in the box	Installation Instructions
2"	For 2" doors, install the traditional cylinder tailpiece (C). 	No conversion necessary. Use the tailpiece already installed on product. Proceed to Step 1d.
2-1/4"	For 2-1/4" doors, install the traditional cylinder tailpiece (C). 	For 2-1/4" doors, install the Evolved/Touchscreen tailpiece (D). 

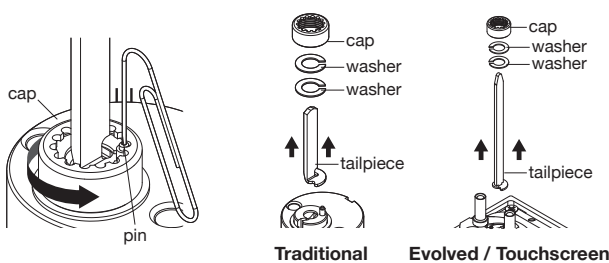
## 2 LOCK INSTALLATION

**a** Refer to the lockset illustrations on the back page and parts in the box to select correct conversion fasteners for 2" or 2.25" doors.

**b** Select correct spacer based on door thickness:

2" Door	2-1/4" Door
Silver Plated Spacer <b>A</b>	Brass Plated Spacer <b>B</b>

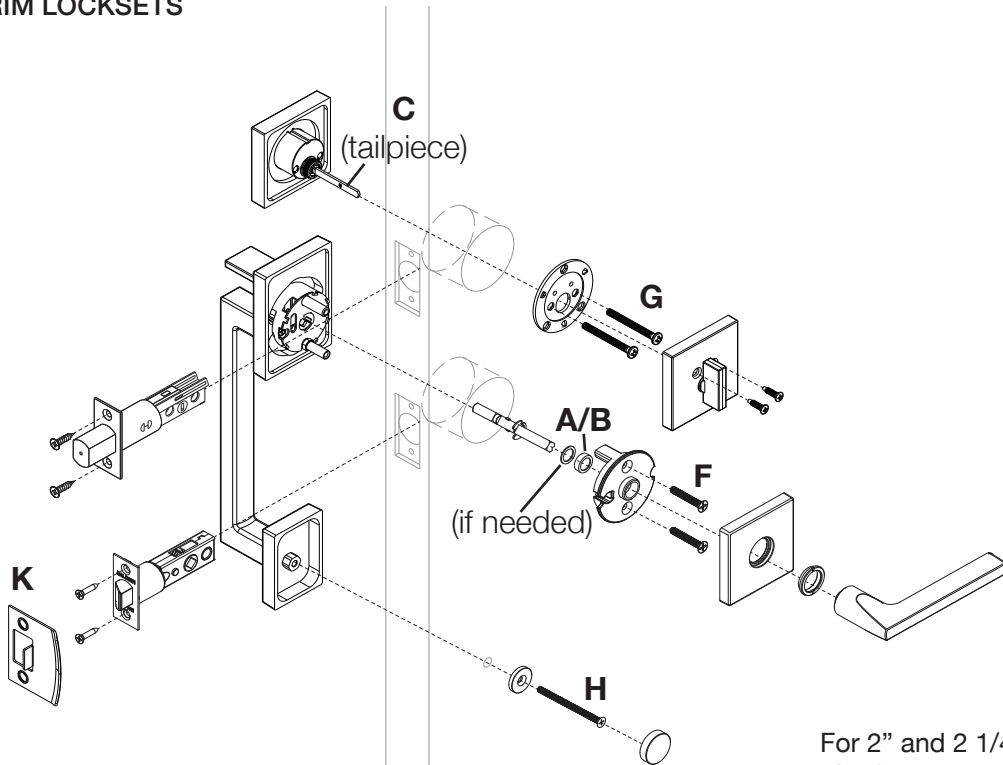
**b** Press the pin on the back of the cylinder with a paper clip, and turn the cap counterclockwise. Remove the cap, washer, and tailpiece.



**c** All other fasteners not specified in this kit are included with your lockset.

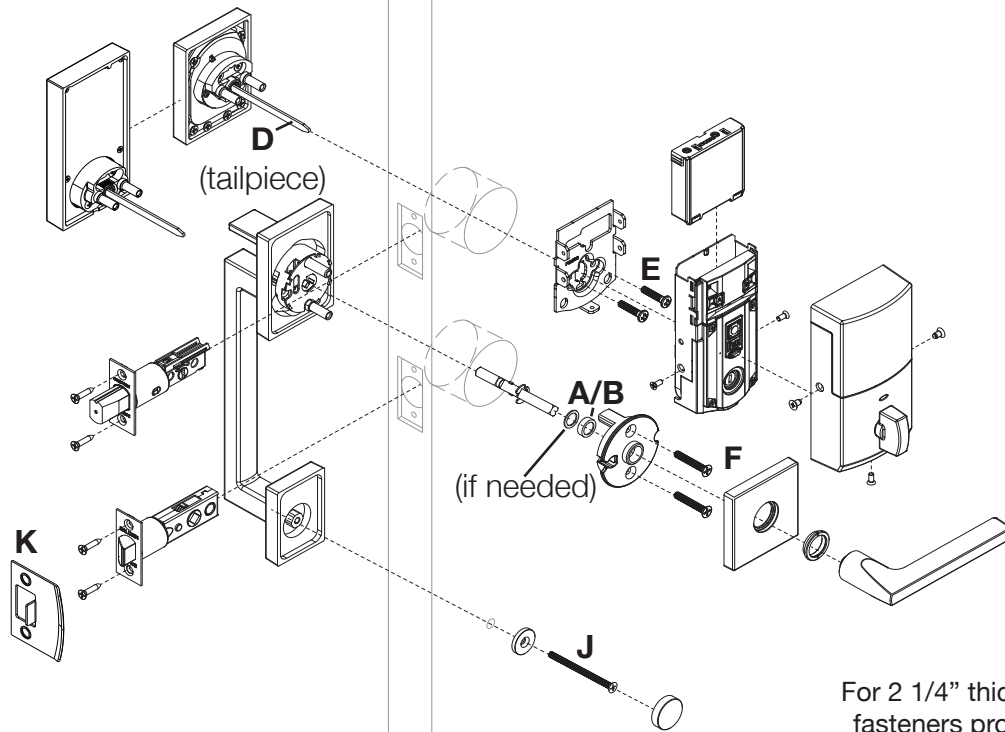
**d** Follow installation instructions provided with your lockset, using fasteners included in this kit. Refer to the lockset illustrations on the back page for correct fastener locations.

## SECTIONAL TRIM LOCKSETS



For 2" and 2 1/4" thick doors, use the fasteners provided as shown.

## EVOLVED / TOUCHSCREEN LOCKSETS



For 2 1/4" thick doors, use the fasteners provided as shown.

**Consumer Help Line**  
1-800-566-1986

**⚠️WARNING:** This Manufacturer advises that no lock can provide complete security by itself. This lock may be defeated by forcible or technical means, or evaded by entry elsewhere on the property. No lock can substitute for caution, awareness of your environment, and common sense. Builder's hardware is available in multiple performance grades to suit the application. In order to enhance security and reduce risk, you should consult a qualified locksmith or other security professional.

### WARRANTY INFORMATION

Refer to [www.baldwinhardware.com](http://www.baldwinhardware.com) for a complete warranty statement.