

Pfister

Tenet Collection

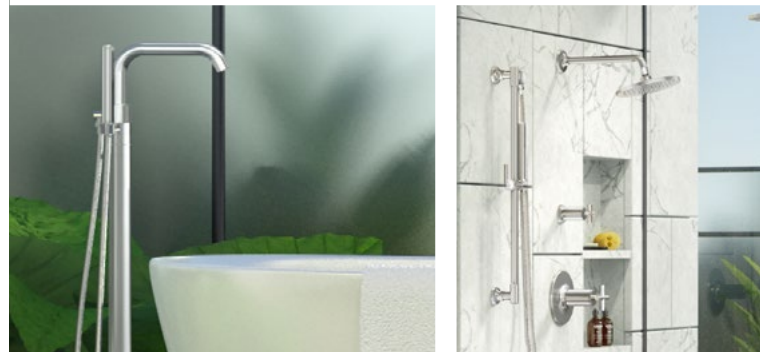


Tenet Collection

If you've taken a look around and decided that excess is just that – clarity of purpose comes shining through. The things you choose to adorn your space becomes carefully curated, and not just arbitrary accumulation.

This all-brass modern collection is for the true minimalist who values perfect proportion and extremely precise functionality. Faucet levers and cross handles sit tightly flush, a feat of inner engineering that allows for crisp lines and a tidy footprint. The shower-integrated rail has been thoughtfully designed for easy installation, complementing a 'just right' 8" raincan showerhead.

Exactly what you need with nothing that you don't, this collection is premium, through and through. The epitome of simplicity, Tenet proves what you already know: every detail counts.



Single Control Lavatory
LG42-TNTC



8" Widespread Lavatory
LG49-TNTC



8" Widespread Lavatory
w/ Optional Cross Handle
HHL-049TNTC



Wallmount Lavatory
LG49-TNT2C



Wallmount Lavatory
W/ OPTIONAL CROSS HANDLE
HHL-492TNTC



Free Standing
Tub Filler
LG6-1TNTC



Tub & Shower
LG89-8TNTC



Tub & Shower
w/ Optional
Cross Handle
HHL-089TNTC



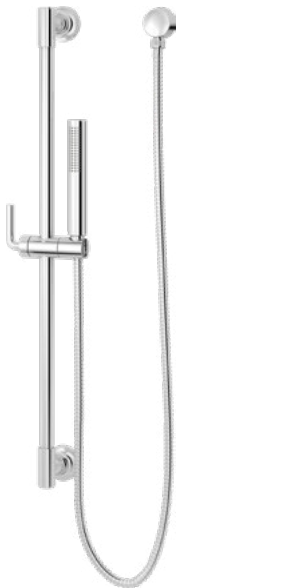
Shower Only
LG89-7TNTC



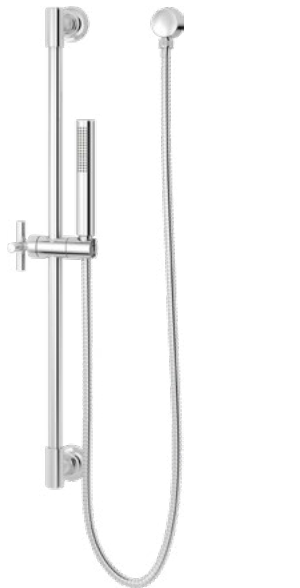
Valve Only
R89-1TNTC



Diverter Trim
w/ Optional
Cross Handle
HHL-016TNTC



Slidebar / Handshower
LG16-3TNTC



Slidebar / Handshower
w/ Optional Cross Handle
HHL-G16TNTC



Shower
Integrated Rail
LG16-TNTC



Shower
Integrated Rail
w/ Optional Cross Handle
HHL-LG16TNTC

Accessories



18" & 24" Towel Bar
BTB-1TNTC & BTB-2TNTC



Towel Ring
BRB-TNTC



Paper Holder
BPH-TNTC



Robe Hook
BRH-TNTC



Tenet Collection

FINISH OPTIONS:



Polished
Chrome (C)

Brushed
Nickel (K)

Matte
Black (B)

Brushed
Gold (BG)

CERTIFICATIONS:



Lead-Free
Certified



Cal Green
Certified



Meets EPA
WatersenseSM
Standards



CEC
Compliant



Pfister

www.pfisterfaucets.com/tenet
19701 DaVinci | Lake Forest, CA 92610
1-800-pfaucet 1-800-732-8238

© 2021 Spectrum Brands, Inc.
Pfister is a trademark of Spectrum Brands, Inc.
1/21 FEI-656873