

Serie Scala

8420800

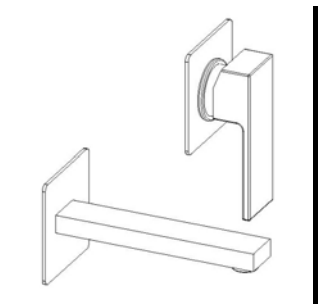
Wall mounted lavatory fct.

STANDARDS

- Compliant with ASME A112.18.1-B125.1
- Compliant with AB1953
- Compliant with EPA Water Sense
- Compliant with ANSI NSF61 – Annex G
- Certified by CSA International
- Compliant with ANSI A117.1

| Finishes | 8420800PC | 8420800BN |
|-----------------|-----------|-----------|
| Polished Chrome | X | |
| Brushed Nickel | | X |

| Features | 8420800PC | 8420800BN |
|---|-----------|-----------|
| Solid Brass Construction | X | X |
| Single Control Ceramic Disc Valve | X | X |
| Meets NSF 61/9 Annex G Lead Requirements | X | X |
| Meets EPA Watersense Certification 1.5gpm, 5.7L/Min | X | X |
| ADA Compliant | X | X |
| Less Pop-up | X | X |
| Step-By-Step Installation Instructions | X | X |
| Limited Lifetime Warranty | X | X |



Project: _____
 Contractor: _____